



- (51) International Patent Classification:  
*G01D 11/24* (2006.01) *G01R 13/02* (2006.01)
- (21) International Application Number:  
PCT/US2014/070726
- (22) International Filing Date:  
17 December 2014 (17.12.2014)
- (25) Filing Language: English
- (26) Publication Language: English
- (30) Priority Data:  
14/139,267 23 December 2013 (23.12.2013) US
- (71) Applicant: **EATON CORPORATION** [US/US]; 1000  
Eaton Boulevard, Cleveland, Ohio 44122 (US).
- (72) Inventor: **FOERSTER, Andrew Jay**; 2528 Matterhorn  
Drive, Wexford, Pennsylvania 15090 (US).
- (74) Agent: **MYERS BIGEL SIBLEY & SAJOVEC, P.A.**;  
P.O. Box 37428, Raleigh, North Carolina 27627 (US).
- (81) Designated States (*unless otherwise indicated, for every kind of national protection available*): AE, AG, AL, AM, AO, AT, AU, AZ, BA, BB, BG, BH, BN, BR, BW, BY, BZ, CA, CH, CL, CN, CO, CR, CU, CZ, DE, DK, DM, DO, DZ, EC, EE, EG, ES, FI, GB, GD, GE, GH, GM, GT, HN, HR, HU, ID, IL, IN, IR, IS, JP, KE, KG, KN, KP, KR, KZ, LA, LC, LK, LR, LS, LU, LY, MA, MD, ME, MG, MK, MN, MW, MX, MY, MZ, NA, NG, NI, NO, NZ, OM, PA, PE, PG, PH, PL, PT, QA, RO, RS, RU, RW, SA, SC, SD, SE, SG, SK, SL, SM, ST, SV, SY, TH, TJ, TM, TN, TR, TT, TZ, UA, UG, US, UZ, VC, VN, ZA, ZM, ZW.
- (84) Designated States (*unless otherwise indicated, for every kind of regional protection available*): ARIPO (BW, GH, GM, KE, LR, LS, MW, MZ, NA, RW, SD, SL, ST, SZ, TZ, UG, ZM, ZW), Eurasian (AM, AZ, BY, KG, KZ, RU,

[Continued on next page]

(54) Title: METERING APPARATUS FOR LOAD CENTERS

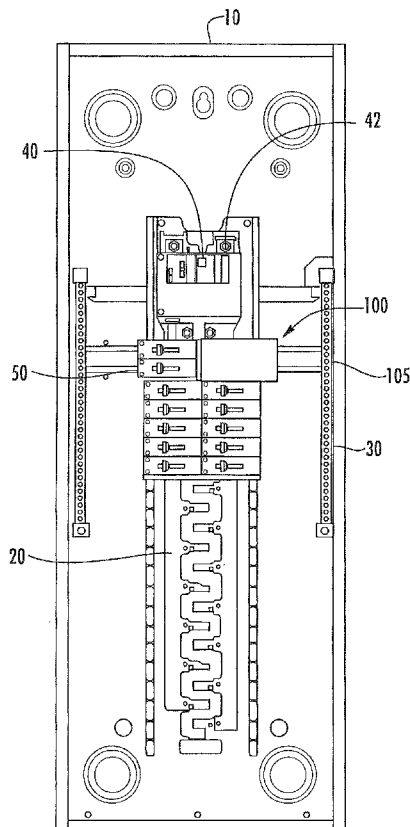


FIG. 1

(57) Abstract: An apparatus includes a housing configured to be mounted at a breaker position of a load center and supporting at least one electrical connector configured to be electrically coupled to a bus bar of the load center. A graphical display is disposed at a face of the housing. A control circuit is disposed in the housing, electrically coupled to the at least one electrical connector and configured to control the graphical display. The control circuit may be further configured to be coupled to an external sensor, such as a current sensor. The control circuit may be configured to perform an electrical measurement and to display a result of the measurement on the graphical display.

TJ, TM), European (AL, AT, BE, BG, CH, CY, CZ, DE, **Published:**  
DK, EE, ES, FI, FR, GB, GR, HR, HU, IE, IS, IT, LT, — *with international search report (Art. 21(3))*  
LU, LV, MC, MK, MT, NL, NO, PL, PT, RO, RS, SE,  
SI, SK, SM, TR), OAPI (BF, BJ, CF, CG, CI, CM, GA,  
GN, GQ, GW, KM, ML, MR, NE, SN, TD, TG).

## METERING APPARATUS FOR LOAD CENTERS

## FIELD

[0001] The inventive subject matter relates generally to load centers and, more particularly, to apparatus for installation in load centers.

## BACKGROUND

[0002] Load centers are commonly used to distribute power in industrial, commercial and residential applications. A typical load center includes a sheet metal enclosure with a power distribution structure mounted therein that is configured to support division of a main circuit feed into multiple branch circuits. Typically, the branch circuits are protected by respective circuit breakers that are designed to be plugged or bolted on to bus bars of the load center. The breakers may be of various types, such as thermal magnetic breakers, arc fault breakers and ground fault breakers. The breaker locations are typically arranged in a two-column array. The main feed to the bus bars may be protected by a larger main breaker.

[0003] Energy efficiency and other requirements have led to a demand for more sophisticated monitoring and control of electrical distribution systems. For example, the desire for increased energy efficiency has driven a demand for metering of loads coupled to particular load centers. Existing approaches for providing such metering capabilities include adding metering devices that are designed to be appended to the load center or to be installed in vacant spaces within the load center enclosure.

## SUMMARY

[0004] Some embodiments of the inventive subject matter provide an apparatus including a housing configured to be installed at a breaker position of a load center and at least one electrical connector supported by the housing and configured to engage a bus bar of the load center. A graphical display is disposed at a face of the housing. A control circuit is disposed in the housing, electrically coupled to the at least one electrical connector, and configured to control the graphical display. The control circuit may be further configured to be coupled to an external sensor, such as a current sensor. The control circuit may be configured to perform an electrical measurement and to display a result of the measurement on the graphical display.

[0005] In some embodiments, the apparatus may further include a user input device configured to receive a user input from a user positioned at the load center. In further

embodiments, the apparatus may include a communications circuit in the housing, operatively coupled to the control circuit and configured to communicate with a device external to the housing.

[0006] Some embodiments of the inventive subject matter provide an apparatus including a housing configured to be mounted at a breaker position of a load center and at least one connector supported by the housing and configured to engage a bus bar of the load center. A control circuit is disposed in the housing, electrically coupled to the at least one connector and configured to perform at least one electrical measurement. An interface device is disposed in the housing, operatively coupled to the control circuit and configured to communicate the at least one electrical measurement to a user. In some embodiments, the interface device may include a graphical display mounted at a face of the housing. In some embodiments, the interface device may include a communications circuit in the housing and configured to communicate with a device external to the housing. The interface device may also be configured to accept a user input from a human user positioned at the load center.

[0006] Still further embodiments provide an apparatus including a housing configured to be mounted at a breaker position of a load center and at least one electrical connector supported by the housing and configured to engage a bus bar of the load center. An alphanumeric display is disposed at a face of the housing. A control circuit is disposed in the housing, electrically coupled to the at least one electrical connector and configured to perform at least one electrical metering operation and display a result of the at least one electrical metering operation on the alphanumeric display. The apparatus may further include a user input device supported by the housing, operatively coupled to the control circuit and configured to accept a user input from a user positioned at the load center. The apparatus may further include a communications circuit in the housing, operatively coupled to the control circuit and configured to communicate the result of the at least one electrical metering operation to a device external to the housing.

#### BRIEF DESCRIPTION OF THE DRAWINGS

[0007] Figure 1 illustrates an apparatus according to some embodiments installed in a load center;

[0008] Figure 2 is a schematic diagram of the apparatus of Figure 1;

[0009] Figure 3 is a schematic diagram of the apparatus of Figure 1 according to further embodiments;

[0010] Figure 4 is a schematic diagram of an apparatus according to additional embodiments;

[0011] Figure 5 is a perspective view of the apparatus of Figure 4;

[0012] Figure 6 is a side view of the apparatus of Figure 4;

[0013] Figure 7 illustrates the apparatus of Figure 4 installed in a load center; and

[0014] Figures 8 and 9 are schematic diagrams of apparatus according to still further embodiments.

#### DETAILED DESCRIPTION

[0015] The inventive subject matter now will be described more fully hereinafter with reference to the accompanying drawings, in which illustrative embodiments of the inventive subject matter are shown. In the drawings, the relative sizes of regions or features may be exaggerated for clarity. This inventive subject matter may, however, be embodied in many different forms and should not be construed as limited to the embodiments set forth herein; rather, these embodiments are provided so that this disclosure will be thorough and complete, and will fully convey the scope of the inventive subject matter to those skilled in the art.

[0016] It will be understood that when an element is referred to as being "coupled" or "connected" to another element, it can be directly coupled or connected to the other element or intervening elements may also be present. In contrast, when an element is referred to as being "directly coupled" or "directly connected" to another element, there are no intervening elements present. Like numbers refer to like elements throughout. As used herein the term "and/or" includes any and all combinations of one or more of the associated listed items.

[0017] In addition, spatially relative terms, such as "under", "below", "lower", "over", "upper" and the like, may be used herein for ease of description to describe one element or feature's relationship to another element(s) or feature(s) as illustrated in the figures. It will be understood that the spatially relative terms are intended to encompass different orientations of the device in use or operation in addition to the orientation depicted in the figures. For example, if the device in the figures is turned over, elements described as "under" or "beneath" other elements or features would then be oriented "over" the other elements or features. Thus, the exemplary term "under" can encompass both an orientation of over and under. The device may be otherwise oriented (rotated 90 degrees or at other orientations) and the spatially relative descriptors used herein interpreted accordingly.

[0018] The terminology used herein is for the purpose of describing particular embodiments only and is not intended to be limiting of the inventive subject matter. As used

herein, the singular forms "a", "an" and "the" are intended to include the plural forms as well, unless the context clearly indicates otherwise. It will be further understood that the terms "comprises" and/or "comprising," when used in this specification, specify the presence of stated features, integers, steps, operations, elements, and/or components, but do not preclude the presence or addition of one or more other features, integers, steps, operations, elements, components, and/or groups thereof. As used herein the expression "and/or" includes any and all combinations of one or more of the associated listed items.

[0019] Unless otherwise defined, all terms (including technical and scientific terms) used herein have the same meaning as commonly understood by one of ordinary skill in the art to which this inventive subject matter belongs. It will be further understood that terms, such as those defined in commonly used dictionaries, should be interpreted as having a meaning that is consistent with their meaning in the context of the relevant art and will not be interpreted in an idealized or overly formal sense unless expressly so defined herein.

[0020] Figures 1-3 illustrate apparatus according to some embodiments of the inventive subject matter. A load center includes an enclosure 10, e.g., a sheet metal box, having knockouts or other features in its walls that support passage of wiring to components within the enclosure 10. The load center further includes a power distribution structure including at least one bus bar 20 and at least one neutral bar 30 mounted in the enclosure 10. Power may be provided to the bus bars 20 via a main breaker 40, to which conductors (e.g., service entrance cable conductors) are connected using lug-type connectors 42. Branch circuit breakers 50 may be installed in columns at spaced apart positions. The branch circuit breakers 50 may plug on, bolt on or otherwise electrically connect to the bus bars 20. The branch circuit breakers 50 may also be connected to the at least one neutral bar 30.

[0021] According to some embodiments, a metering apparatus 100 includes a housing 105 configured to be installed at one or more of the branch circuit breaker locations of the load center such that it is electrically coupled to at least one of the bus bars 20. As shown in Figure 2, the metering apparatus 100 may include a control circuit 210 configured to be coupled to at least one bus bar 20 of the load center via at least one connector 130, using a connection similar to that used by the breakers 50, e.g., a plug-on or bolt-on connection. The apparatus 100 may also be connected to at least one neutral bar 30 of the load center.

[0022] The apparatus 100 further includes an interface device 120, which may include, for example, a display, a user input device and/or an external communications device, operatively coupled to the control circuit 110. The control circuit 110 may also be configured to be coupled to at least one external sensor 50. In some embodiments, the

control circuit 110 may be configured to perform measurements of at least one electrical quantity associated with operation of the load center using input from the connected at least one bus bar 20 and/or the connected at least one sensor 50. The control, circuit 110 may also be configured to determine a status of the load center, such as a load, fault or other condition. The control circuit 110 may communicate a result of the measurement and/or the determined status using the interface device 120. For example, as shown in Figure 3, the control circuit 110 may communicate a measurement result using a local user interface device (e.g., a display) 120a and/or using an external communications interface device 120b that supports communication with an external device via, for example, a wired (e.g., Ethernet or power line carrier), radio (e.g., WiFi) or optical communications link. The control circuit 110 and the interface device 120 may also be powered from the connected at least one bus bar 20.

It will be appreciated that the control circuit 110 may be implemented using analog and digital circuitry, such as microcontroller and peripheral circuitry. The interface device 120 may include any of a number of different types of analog and/or digital circuitry, as well as mechanical components (e.g., buttons or switches).

[0023] According to some embodiments, a metering apparatus for installation in a branch circuit breaker position in a load center may be configured to measure and/or compute voltage, current, power and/or other electrical quantities associated with operation of the load center, and may include an integral alphanumeric display, such as an LCD display, that may be used to display such information to a user at the load center. The apparatus may also be configured to determine load center status, such as loading and/or fault conditions.

[0024] For example, referring to Figures 4-7, an apparatus 400 according to some embodiments may include a housing 405 configured to be installed at a branch circuit breaker position of a load center. The apparatus 400 includes an alphanumeric display 420 disposed at a face of the housing 405. At least one connector 430 is supported by the housing 405 and is configured to engage (e.g., pluggably mate with, bolt on to, or otherwise mechanically and electrically engage) at least one bus bar 20 of the load center (Figure 6 illustrates a plug-on type connector). A control circuit 410 is disposed in the housing 405 and is configured to be coupled to the at least one bus bar 20 via the connector 430.

The control circuit 410 may be configured to be coupled to a neutral bar 30 via, for example, a pigtail 440 or other electrical connection. The control circuit 410 may also be configured to be coupled to at least one external sensor, such as at least one current transformer 50, using additional pigtails or other connections, such as terminal blocks or pluggable connectors supported by the housing 405. The at least one current transformer 50

may be operatively coupled to at least one conductor, such as to at least one main feeder conductor of the load center and/or to at least one branch circuit conductor of the load center, so as to sense current flowing therein.

[0024] According to some embodiments, the control circuit 410 may be configured to sense various voltages (e.g., bus voltages) and/or currents (e.g., main and/or branch circuit currents) in the load center and to perform power, energy and/or other electrical measurements related to operation of the load center and/or loads connected thereto. The control circuit 410 may be further configured to display results of such measurements on the display 420. The displayed measurements may include, but are not limited to, bus voltage, main feeder current, branch circuit current, feeder power, branch circuit power, aggregate power consumption, branch circuit power consumption and the like. The control circuit 410 may also be configured to determine status of the load center, such as alarm states relating to certain load and fault conditions, and to indicate such status on the display 420.

[0025] As illustrated in Figure 8, an apparatus 800 according to further embodiments may include a control circuit 810, a display 820 and at least one bus connector 830 supported by a housing 805 that is configured to be installed at a branch circuit breaker location of a load center. The apparatus 800 may further include a user input device 840 that is operatively coupled to the control circuit 810 and that enables a user at the load center to provide input to control the apparatus 800. In some embodiments, for example, the user input device 840 may include a touch screen sensor associated with the display 820 and/or a separate button or other device supported by the housing 805 and configured to accept user inputs. The user input may including, for example, commands for the control circuit 810 to display different types of information (e.g., voltage, current, power, etc.) on the display 820 and/or setup and/or calibration inputs.

[0026] As shown in Figure 9, an apparatus 900 according to further embodiments may include a control circuit 910, a display 920, a user input device 940, and at least one bus connector 930 supported by a housing 905 that is configured to be installed at a branch circuit breaker location of a load center. The apparatus 900 may further include an external communications interface circuit 950, operatively coupled to the control circuit 910. The communications interface circuit 950 may include, for example, wired (e.g., Ethernet or power line carrier), radio (e.g., WiFi) or optical communications circuitry, and may be used for communication of measurement data to an external monitoring device and/or for communication of measurement, display, settings and/or calibration information to the control circuit 910 from an external controller.



[0027] In the drawings and specification, there have been disclosed exemplary embodiments of the inventive subject matter. However, many variations and modifications can be made to these embodiments without substantially departing from the principles of the present inventive subject matter. Accordingly, although specific terms are used, they are used in a generic and descriptive sense only and not for purposes of limitation, the scope of the inventive subject matter being defined by the following claims.

## THAT WHICH IS CLAIMED:

1. An apparatus comprising:  
a housing configured to be mounted at a breaker position of a load center;  
at least one electrical connector supported by the housing and configured to engage a bus bar of the load center;  
a graphical display disposed at a face of the housing; and  
a control circuit in the housing, electrically coupled to the at least one electrical connector and configured to control the graphical display.
2. The apparatus of claim 1, wherein the control circuit is further configured to be coupled to an external sensor.
3. The apparatus of claim 2, wherein the external current sensor comprises a current sensor.
4. The apparatus of claim 1, wherein the control circuit is configured to perform an electrical measurement and to display a result of the measurement on the graphical display.
5. The apparatus of claim 1, wherein the control circuit is determine a status of the load center and/or a load coupled thereto and to display the determined status on the graphical display.
6. The apparatus of claim 1, further comprising a user input device supported by the housing and configured to receive a user input from a user positioned at the load center.
7. The apparatus of claim 5, wherein the user input device comprises a touch screen sensor.
8. The apparatus of claim 1, further comprising a communications circuit in the housing, operatively coupled to the control circuit and configured to communicate with a device external to the housing.

9. An apparatus comprising:  
a housing configured to be mounted at a breaker position of a load center;  
at least one connector supported by the housing and configured to be electrically coupled to a bus bar of the load center;  
a control circuit in the housing, electrically coupled to the at least one connector and configured to perform at least one electrical measurement; and  
an interface device supported by the housing, operatively coupled to the control circuit and configured to communicate the at least one electrical measurement to a user.
10. The apparatus of claim 9, wherein the interface device comprises a graphical display disposed at a face of the housing.
11. The apparatus of claim 9, wherein the interface device comprises a communications circuit in the housing and configured to communicate with a device external to the housing.
12. The apparatus of claim 9, wherein the interface device is configured to accept a user input from a user positioned at the load center.
13. The apparatus of claim 9, wherein the control circuit is further configured to determine a status of the load center and to cause the interface device to communicate the determined status.
14. An apparatus comprising:  
a housing configured to be mounted at a breaker position of a load center;  
at least one electrical connector supported by the housing and configured to be electrically coupled to bus bar of the load center;  
an alphanumeric display disposed at a face of the housing; and  
a control circuit in the housing, electrically coupled to the at least one electrical connector and configured to perform at least one electrical metering operation and to display a result of the at least one electrical metering operation on the alphanumeric display.

15. The apparatus of claim 14, further comprising a user input device supported by the housing, operatively coupled to the control circuit and configured to accept a user input from a user at the load center.

16. The apparatus of claim 14, further comprising a communications circuit in the housing, operatively coupled to the control circuit and configured to communicate the result of the at least one electrical metering operation to a device external to the housing.

1/8

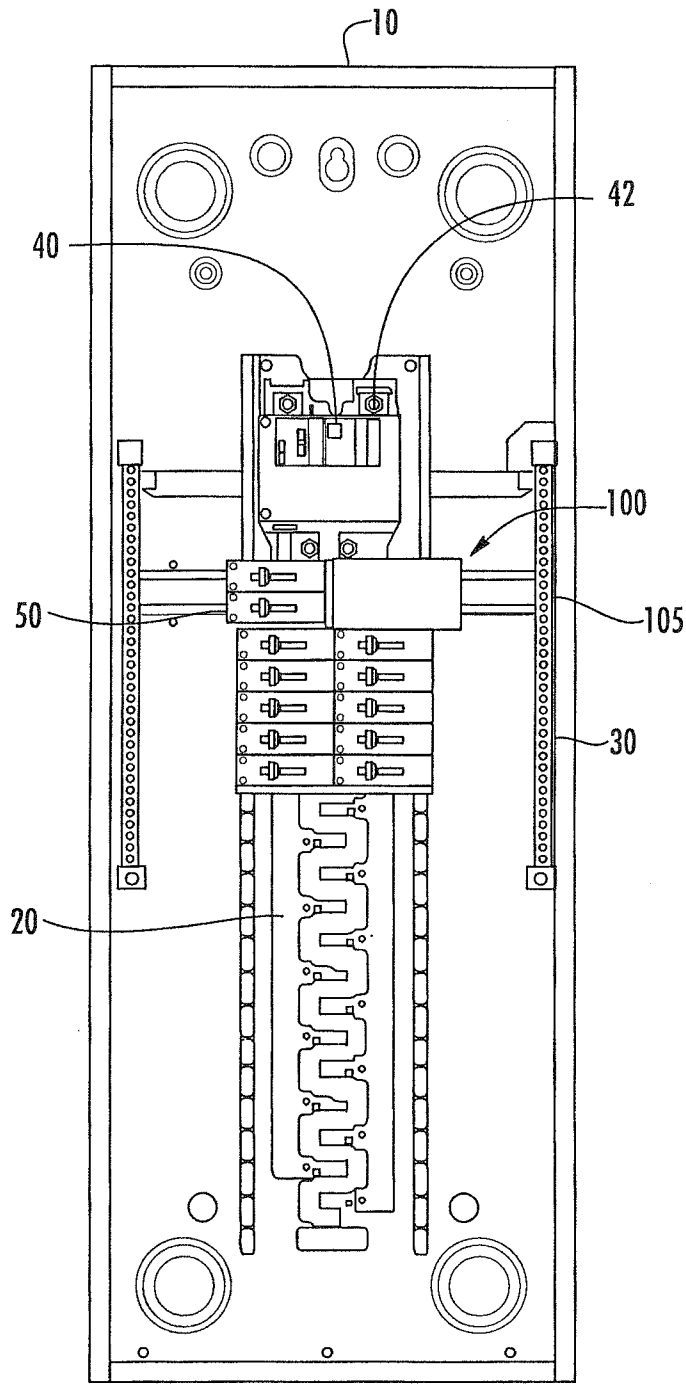


FIG. 1

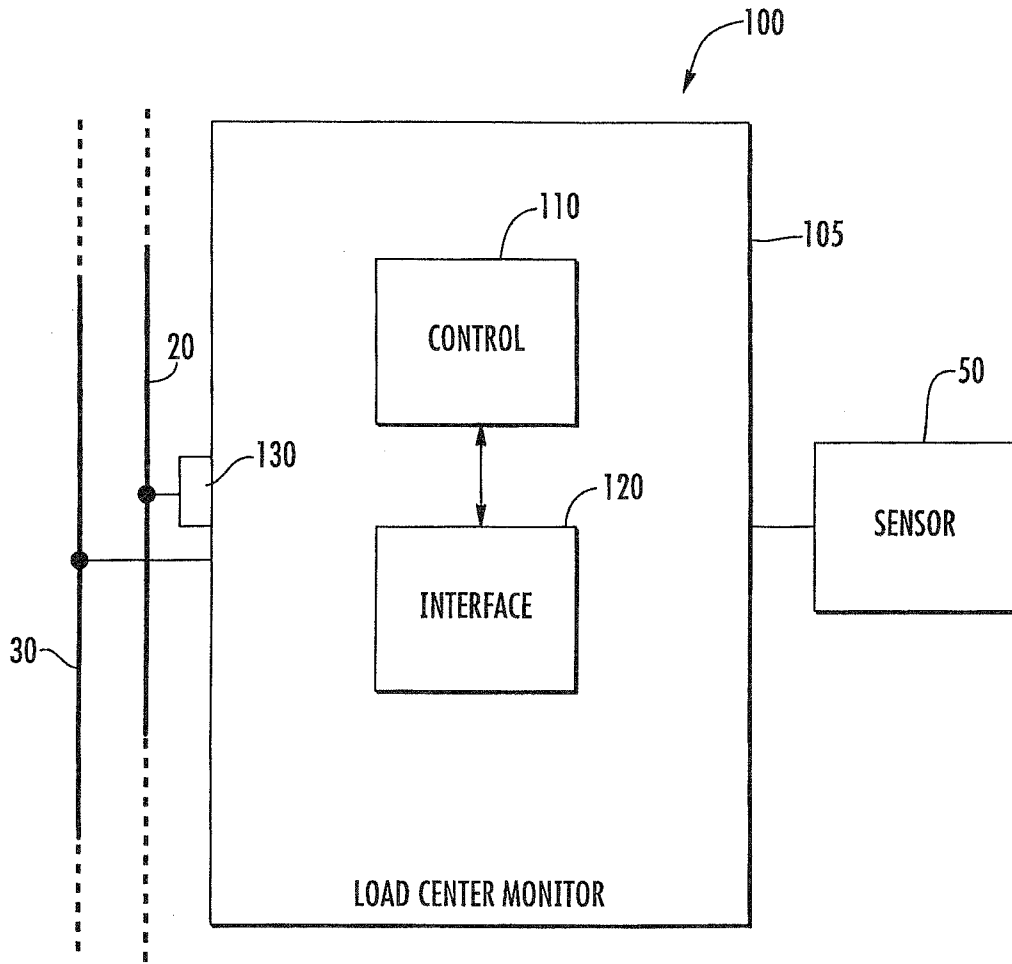


FIG. 2

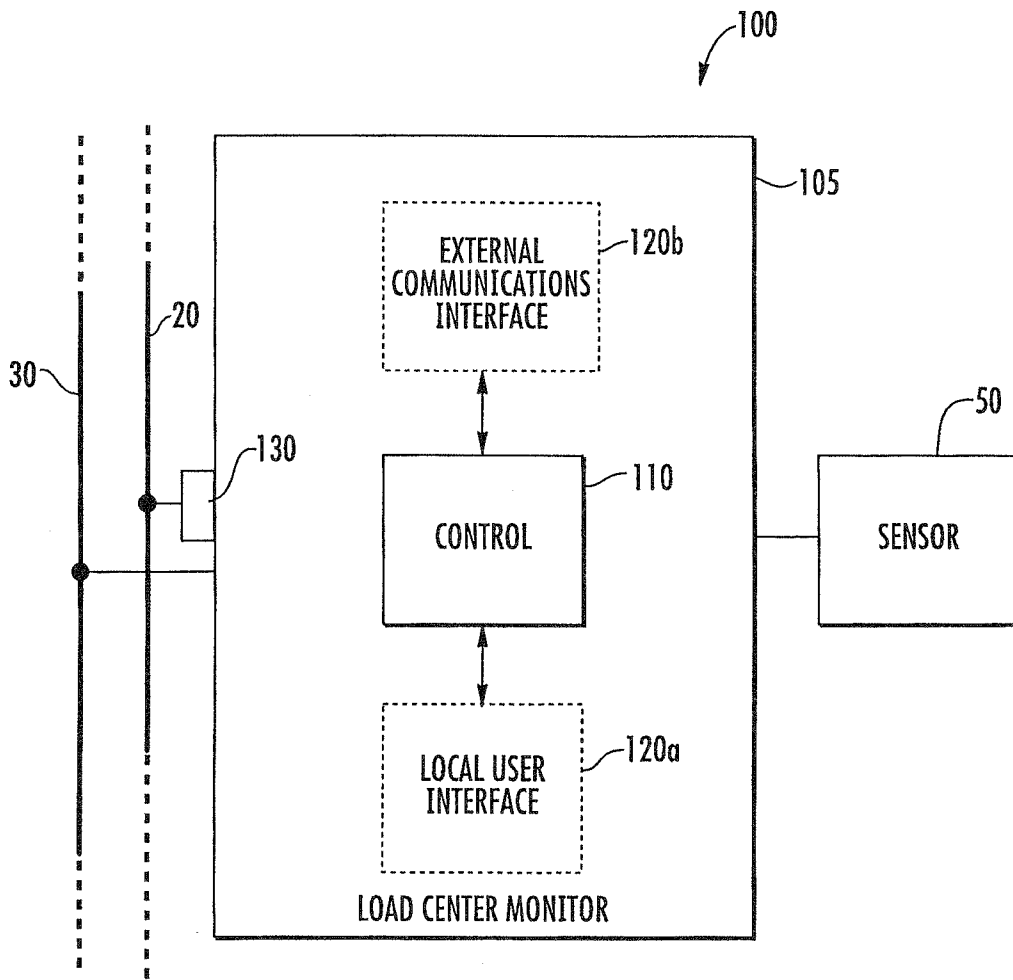


FIG. 3

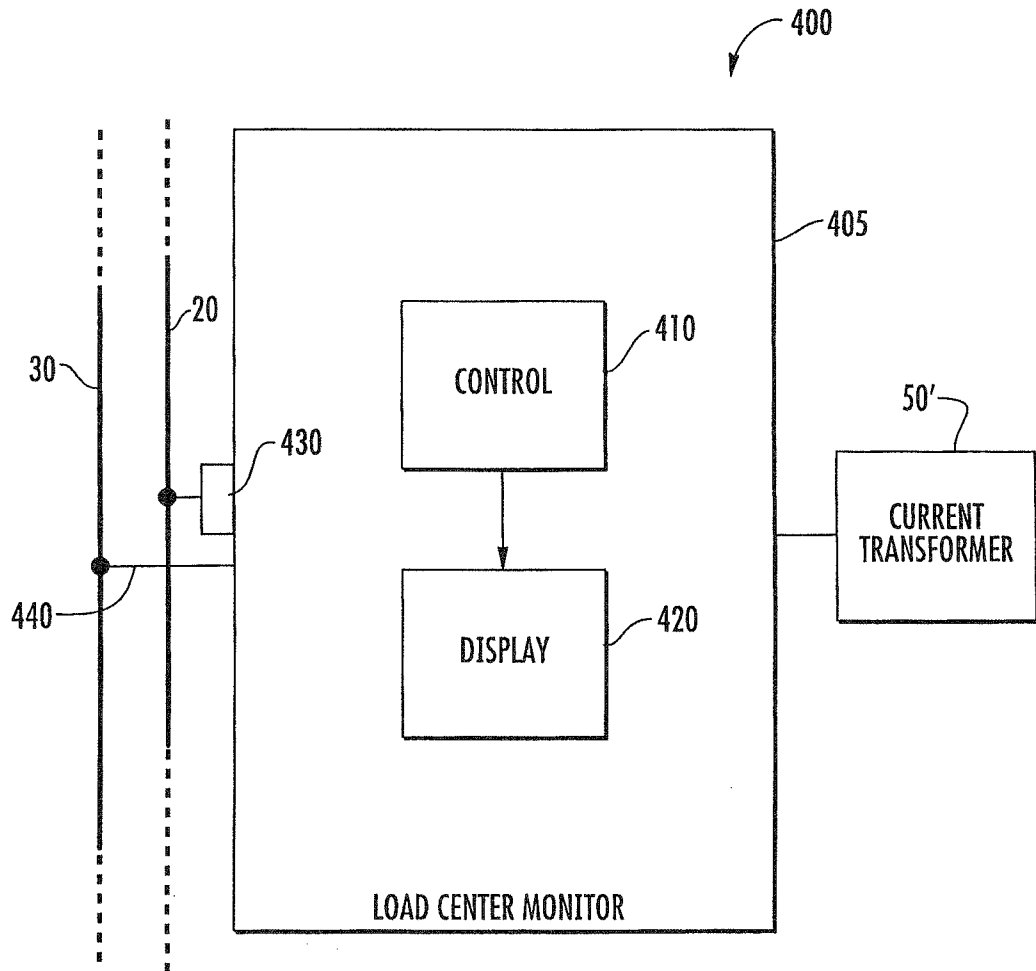


FIG. 4



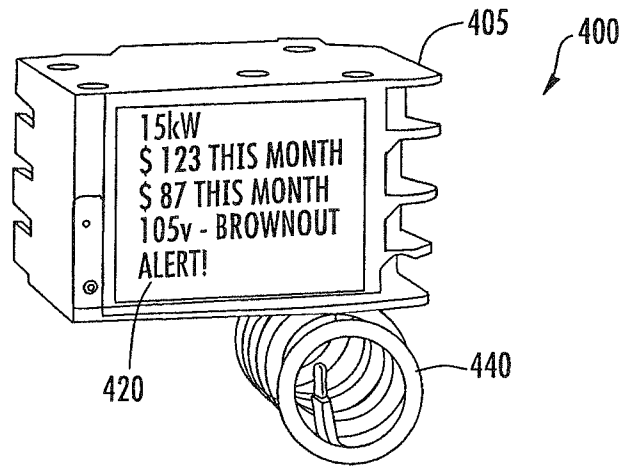


FIG. 5

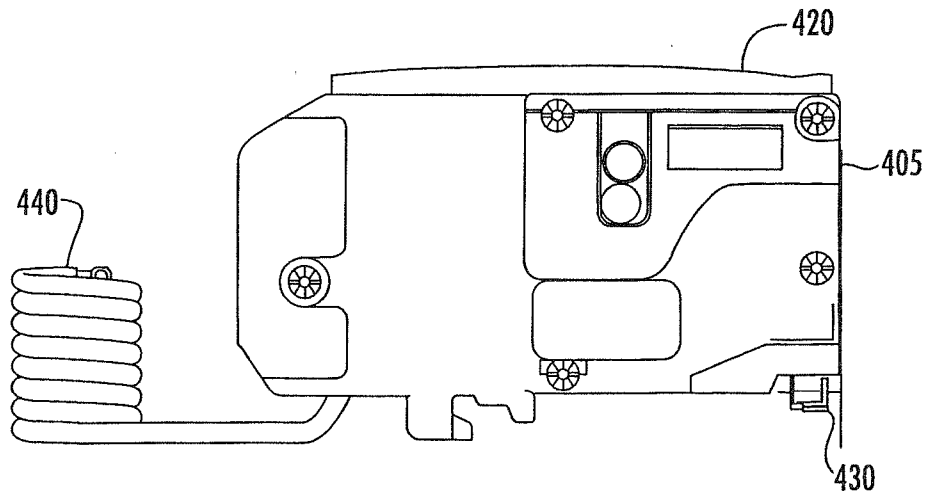


FIG. 6

6/8

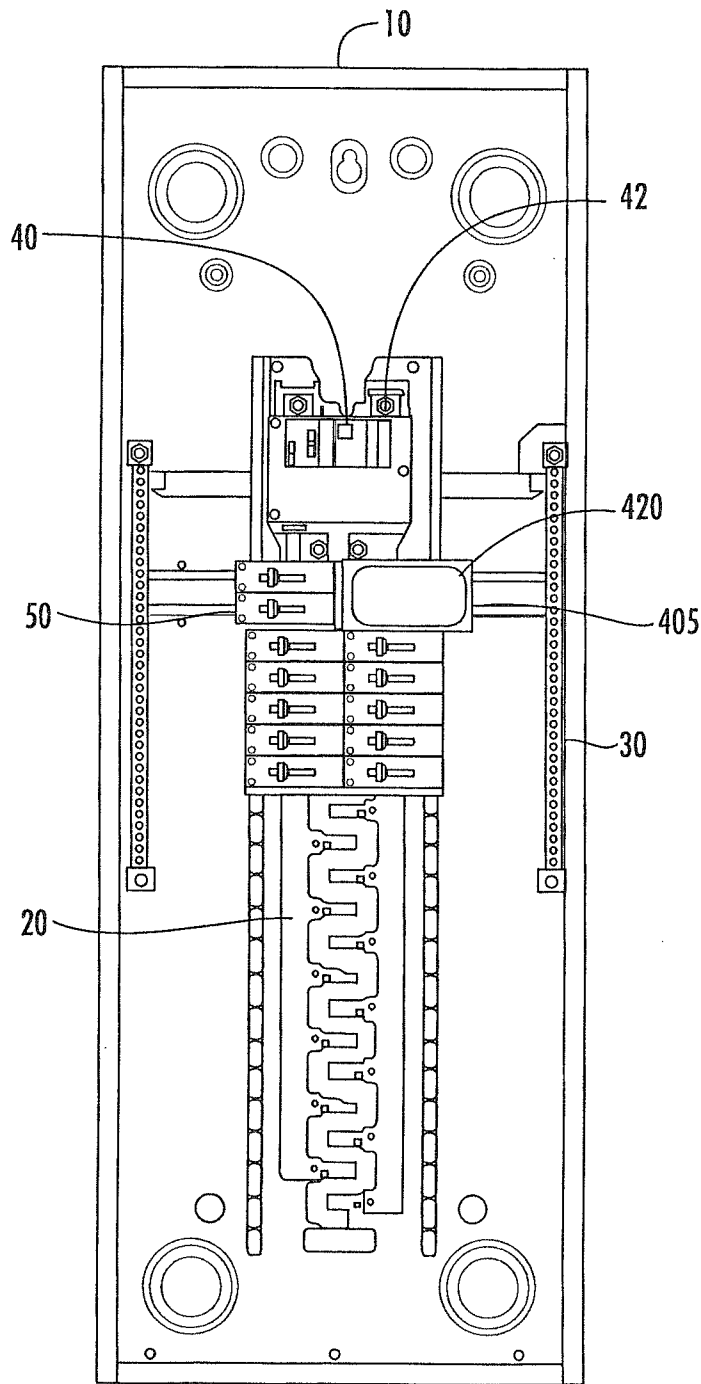


FIG. 7

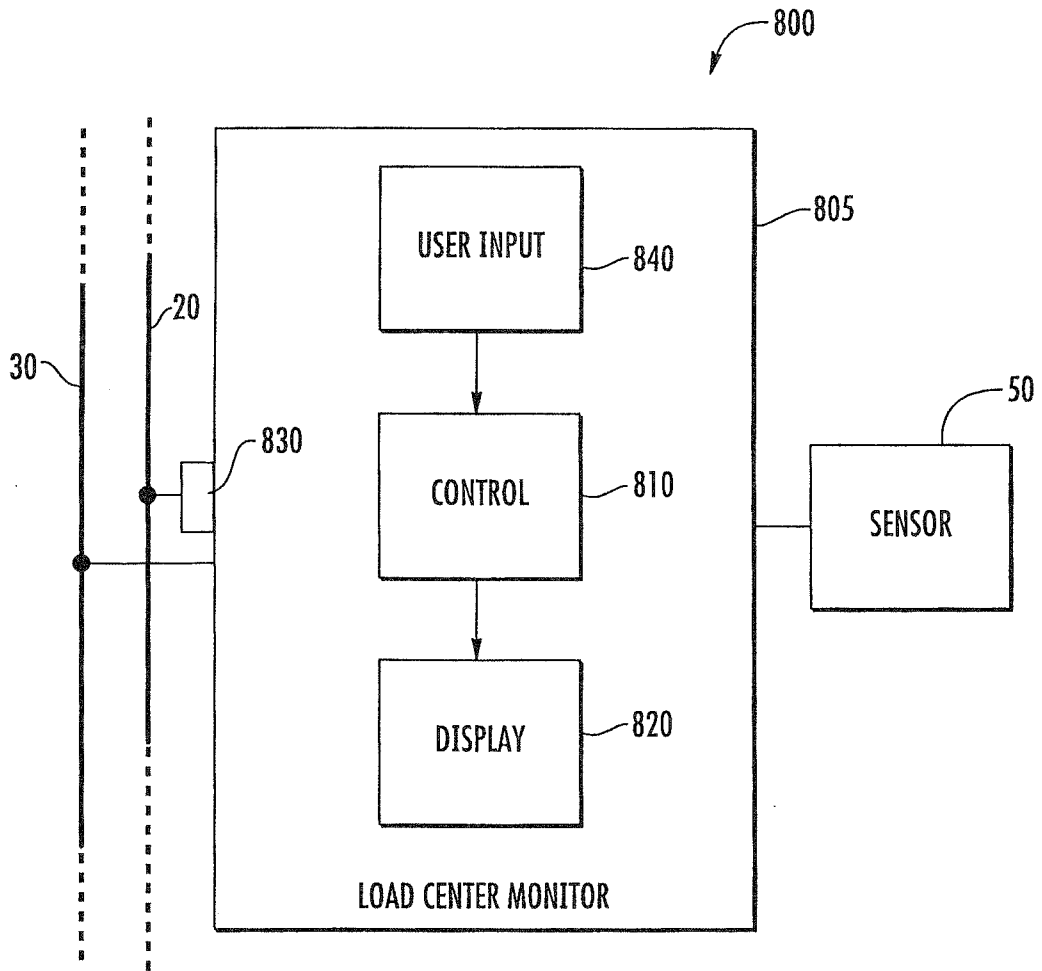


FIG. 8

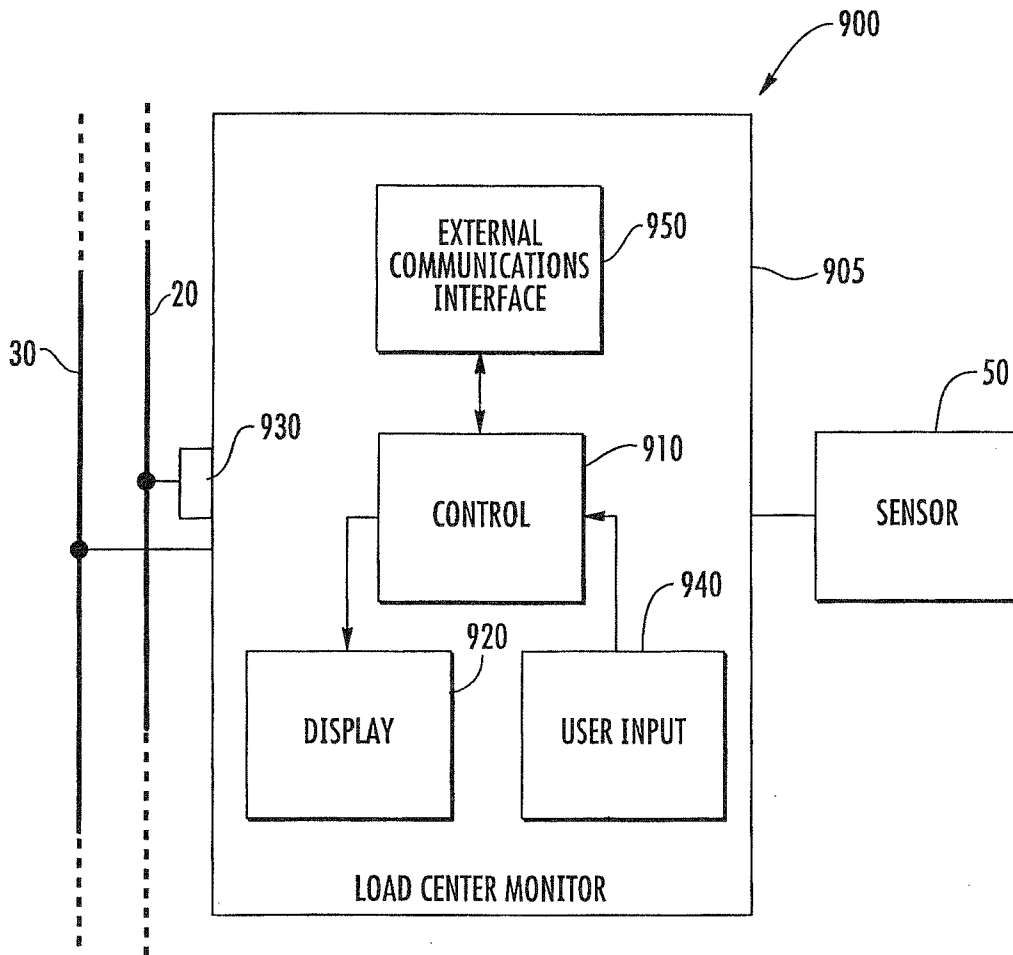


FIG. 9

## INTERNATIONAL SEARCH REPORT

International application No  
PCT/US2014/070726

A. CLASSIFICATION OF SUBJECT MATTER INV. G01D11/24 G01R13/02 ADD.		
According to International Patent Classification (IPC) or to both national classification and IPC		
B. FIELDS SEARCHED		
Minimum documentation searched (classification system followed by classification symbols) G01D G01R		
Documentation searched other than minimum documentation to the extent that such documents are included in the fields searched		
Electronic data base consulted during the international search (name of data base and, where practicable, search terms used) EPO-Internal, WPI Data		
C. DOCUMENTS CONSIDERED TO BE RELEVANT		
Category*	Citation of document, with indication, where appropriate, of the relevant passages	Relevant to claim No.
X	WO 93/13465 A1 (SQUARE D CO [US]) 8 July 1993 (1993-07-08) pages 8-62 -----	1-16
X	WO 93/00665 A1 (SQUARE D CO [US]) 7 January 1993 (1993-01-07) pages 8-62 -----	1-16
X	US 2007/158171 A1 (DEBOER JOHN [US] ET AL) 12 July 2007 (2007-07-12) paragraphs [0006] - [0032] -----	1-16
X	US 2009/206059 A1 (KIKO FREDERICK J [US]) 20 August 2009 (2009-08-20) paragraphs [0032] - [0201] -----	1-16
X	US 2010/052655 A1 (KING WILLIAM A [US] ET AL) 4 March 2010 (2010-03-04) paragraphs [0008] - [0060] -----	1-16
<input type="checkbox"/> Further documents are listed in the continuation of Box C. <input checked="" type="checkbox"/> See patent family annex.		
* Special categories of cited documents :		
"A" document defining the general state of the art which is not considered to be of particular relevance	"T" later document published after the international filing date or priority date and not in conflict with the application but cited to understand the principle or theory underlying the invention	
"E" earlier application or patent but published on or after the international filing date	"X" document of particular relevance; the claimed invention cannot be considered novel or cannot be considered to involve an inventive step when the document is taken alone	
"L" document which may throw doubts on priority claim(s) or which is cited to establish the publication date of another citation or other special reason (as specified)	"Y" document of particular relevance; the claimed invention cannot be considered to involve an inventive step when the document is combined with one or more other such documents, such combination being obvious to a person skilled in the art	
"O" document referring to an oral disclosure, use, exhibition or other means	"&" document member of the same patent family	
"P" document published prior to the international filing date but later than the priority date claimed		
Date of the actual completion of the international search  17 March 2015	Date of mailing of the international search report  25/03/2015	
Name and mailing address of the ISA/ European Patent Office, P.B. 5818 Patentlaan 2 NL - 2280 HV Rijswijk Tel. (+31-70) 340-2040, Fax: (+31-70) 340-3016	Authorized officer  Kurze, Volker	

# INTERNATIONAL SEARCH REPORT

Information on patent family members

International application No

PCT/US2014/070726

Patent document cited in search report	Publication date	Patent family member(s)	Publication date
WO 9313465	A1	08-07-1993	CA 2104216 A1 27-06-1993
			EP 0573638 A1 15-12-1993
			JP 2843673 B2 06-01-1999
			JP H06506102 A 07-07-1994
			US 5249115 A 28-09-1993
			WO 9313465 A1 08-07-1993
			-----
WO 9300665	A1	07-01-1993	CA 2089878 A1 29-12-1992
			EP 0548330 A1 30-06-1993
			JP 3370325 B2 27-01-2003
			JP H06501374 A 10-02-1994
			US 5909180 A 01-06-1999
			WO 9300665 A1 07-01-1993
			-----
US 2007158171	A1	12-07-2007	NONE
-----			
US 2009206059	A1	20-08-2009	CA 2715643 A1 27-08-2009
			EP 2245714 A1 03-11-2010
			US 2009206059 A1 20-08-2009
			US 2015012145 A1 08-01-2015
			WO 2009105171 A1 27-08-2009
			-----
US 2010052655	A1	04-03-2010	CA 2677499 A1 03-03-2010
			US 2010052655 A1 04-03-2010
-----			