



US00D596207S

(12) **United States Design Patent**
Mori et al.

(10) **Patent No.:** **US D596,207 S**

(45) **Date of Patent:** **** Jul. 14, 2009**

(54) **SEWING MACHINE**

(75) Inventors: **Sanae Mori**, Tokyo (JP); **Shigemi Yamamoto**, Tokyo (JP)

(73) Assignee: **JUKI Corporation**, Tokyo (JP)

(**) Term: **14 Years**

(21) Appl. No.: **29/296,309**

(22) Filed: **Oct. 17, 2007**

(30) **Foreign Application Priority Data**

Apr. 18, 2007 (JP) 2007-010403

(51) **LOC (9) Cl.** **15-06**

(52) **U.S. Cl.** **D15/72; D15/78**

(58) **Field of Classification Search** D15/66-73,
D15/77, 78; 112/2, 63, 78, 154, 217.1-217.4,
112/258-261, 475.01; D10/104, 106; D14/159,
D14/247, 345, 387, 399, 455; 341/22, 23;
345/169, 173; 382/124, 187; 400/472, 484-489,
400/492

See application file for complete search history.

(56) **References Cited**

U.S. PATENT DOCUMENTS

D286,047 S *	10/1986	Roots et al.	D14/399
D308,855 S *	6/1990	Schaum	D14/399
D327,881 S *	7/1992	McFarlane	D14/399
D347,835 S *	6/1994	Zarnowitz	D14/399
D347,847 S	6/1994	Eguchi		
D359,964 S	7/1995	Nakajima et al.		
D359,965 S	7/1995	Nakajima et al.		
D389,762 S *	1/1998	Yorkey	D10/104
D403,333 S	12/1998	Takada et al.		
D430,886 S	9/2000	Yamamoto		
D440,566 S *	4/2001	Chou	D14/399
D450,720 S	11/2001	Kuroki		
D459,369 S	6/2002	Yamamoto et al.		

D464,979 S	10/2002	Yamamoto		
D466,137 S *	11/2002	Yamamoto et al.	D15/72
D472,562 S	4/2003	Yamamoto et al.		
D491,945 S *	6/2004	Sheehan et al.	D14/399
D532,415 S *	11/2006	Chen et al.	D14/247
D546,333 S *	7/2007	Emmerich et al.	D14/455
D557,291 S	12/2007	Gustafsson		
D572,263 S *	7/2008	Massaro et al.	D14/455
D574,816 S *	8/2008	Tang	D14/247

* cited by examiner

Primary Examiner—Stella M Reid

Assistant Examiner—Shanda C Hill

(74) *Attorney, Agent, or Firm*—Locke Lord Bissell & Liddell

(57) **CLAIM**

The ornamental design for a sewing machine, as shown and described.

DESCRIPTION

Additionally, the following co-pending applications, also entitled "Sewing Machine", are related: 1. U.S. Design Application No. 29/296,306; 2. U.S. Design Application No. 29/296,307; 3. U.S. Design Application No. 29/296,308.

FIG. 1 is front elevational view of a sewing machine showing our new design;

FIG. 2 is a rear elevational view thereof;

FIG. 3 is a left end view thereof;

FIG. 4 is a right end view thereof;

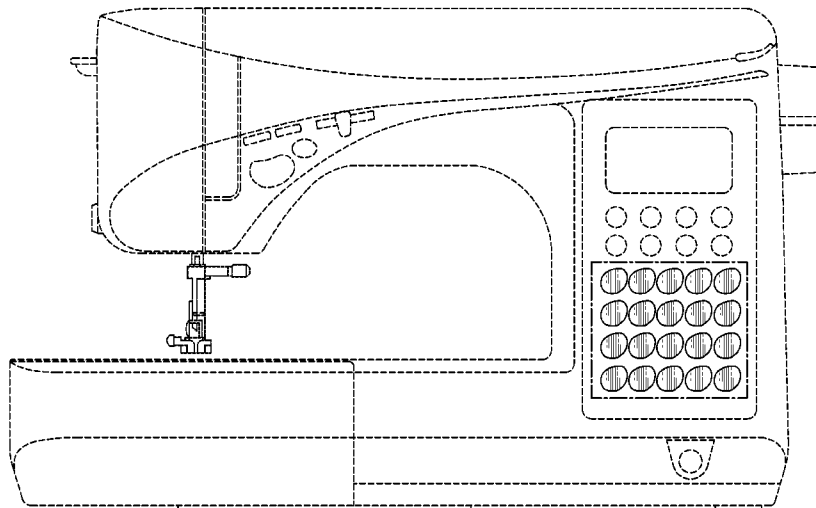
FIG. 5 is a top plan view thereof;

FIG. 6 is a bottom plan view thereof; and,

FIG. 7 is a perspective view of the front, top and left side thereof.

The elements shown in broken lines are for illustrative purposes only and form no part of the claimed design.

1 Claim, 6 Drawing Sheets



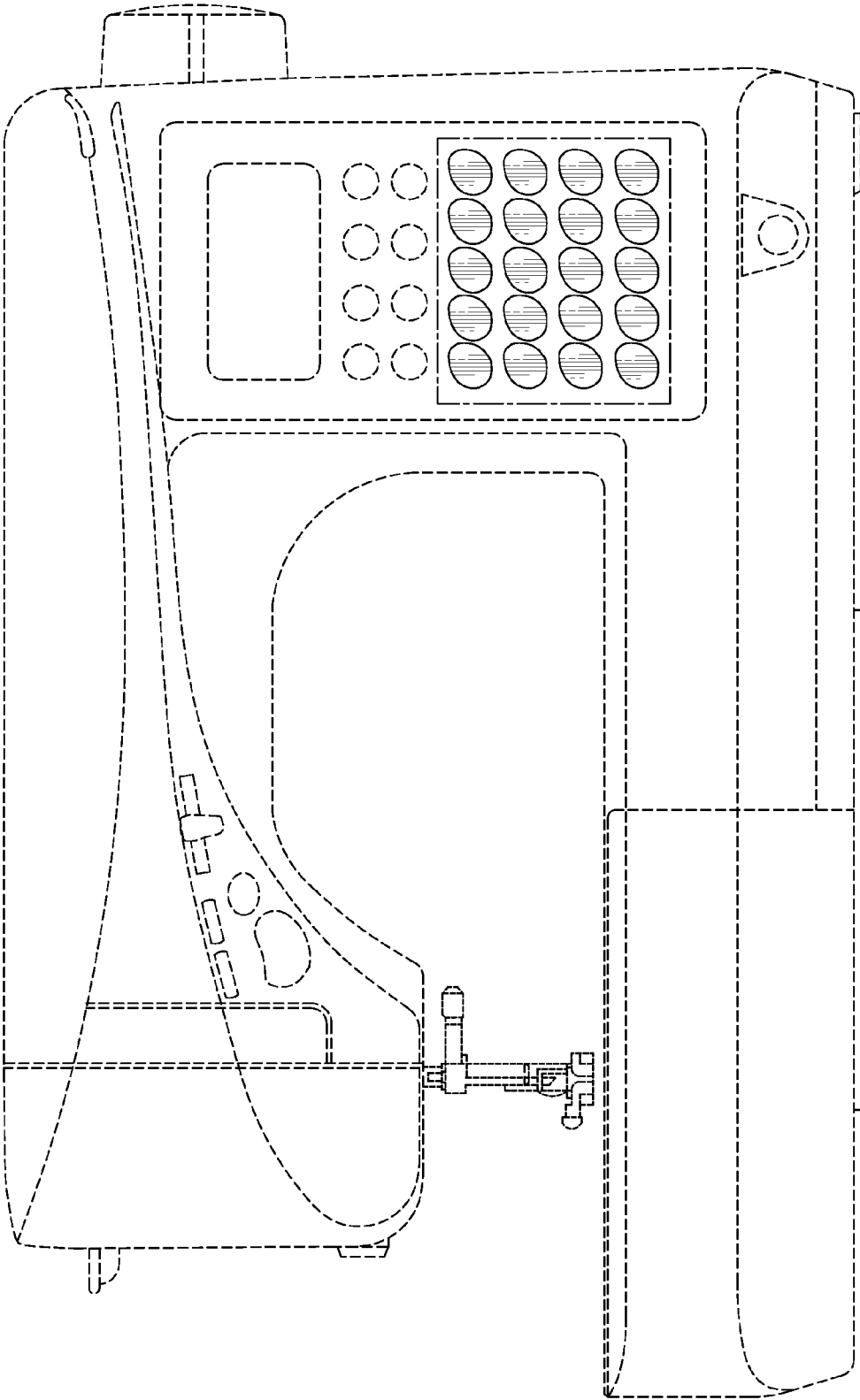


FIG. 1

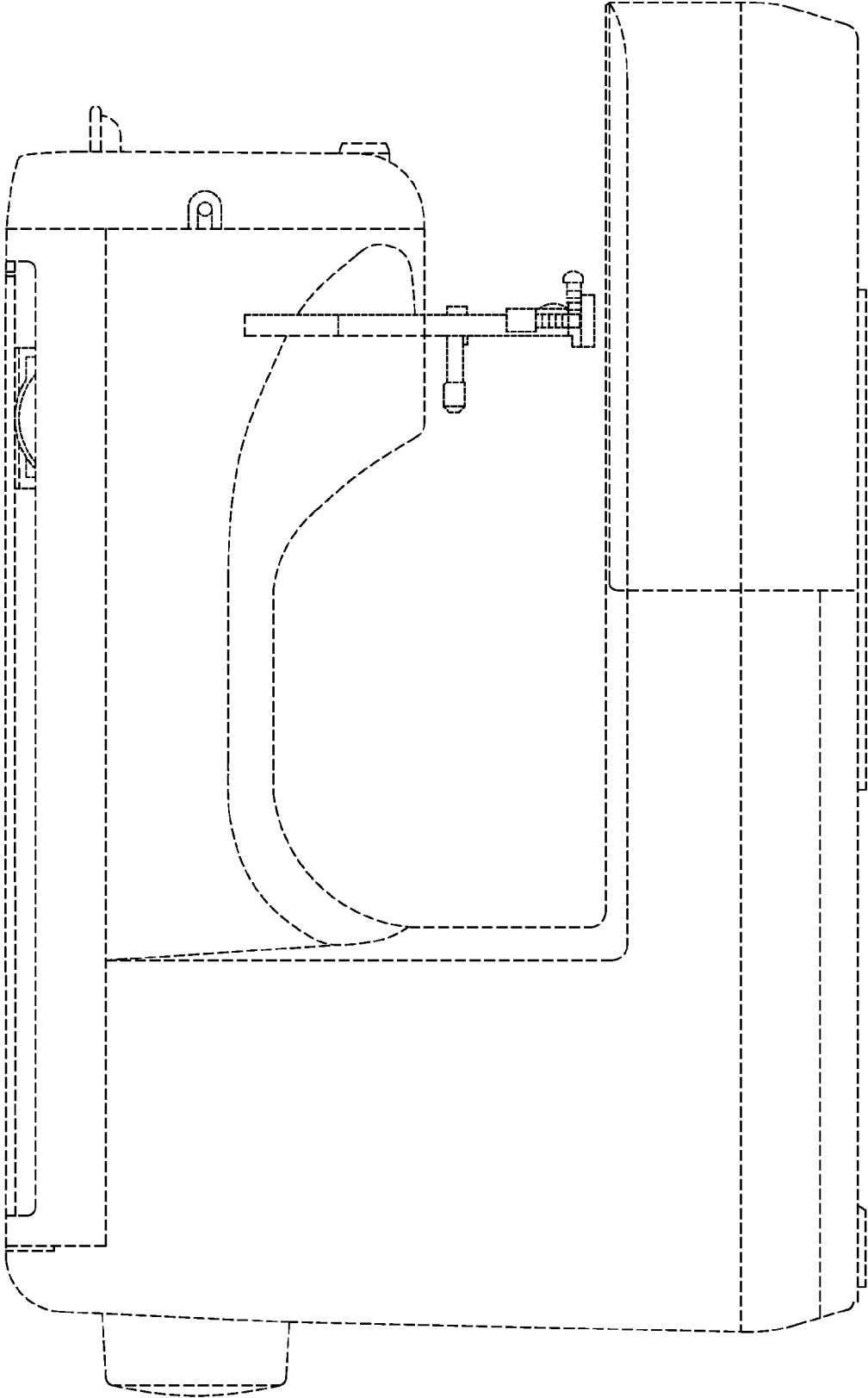


FIG. 2

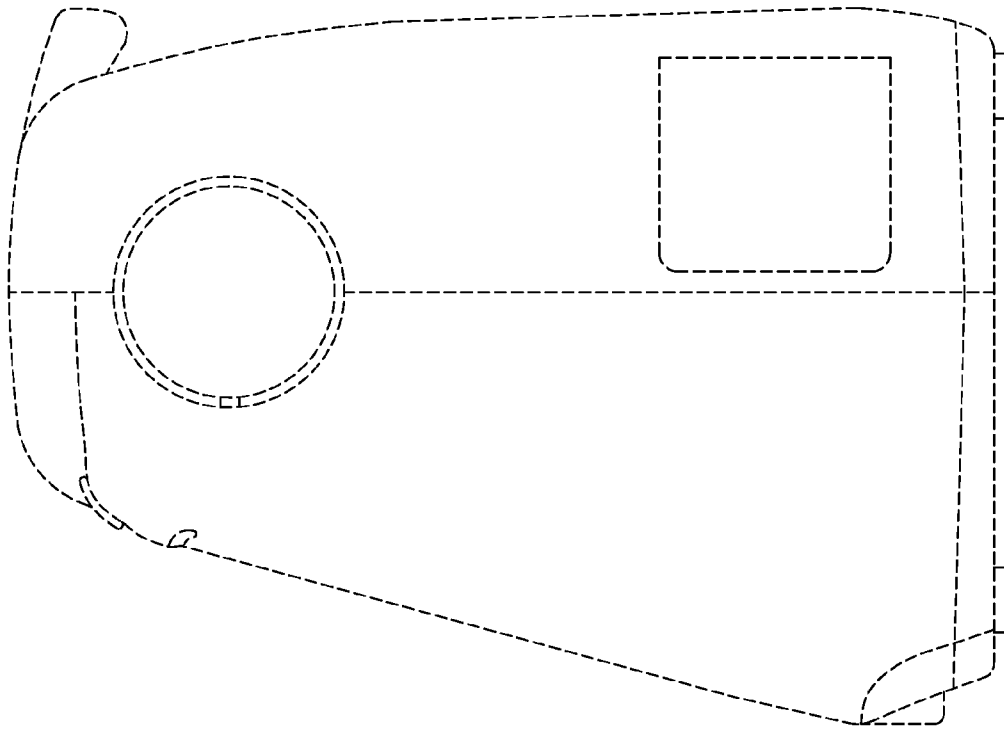


FIG. 4

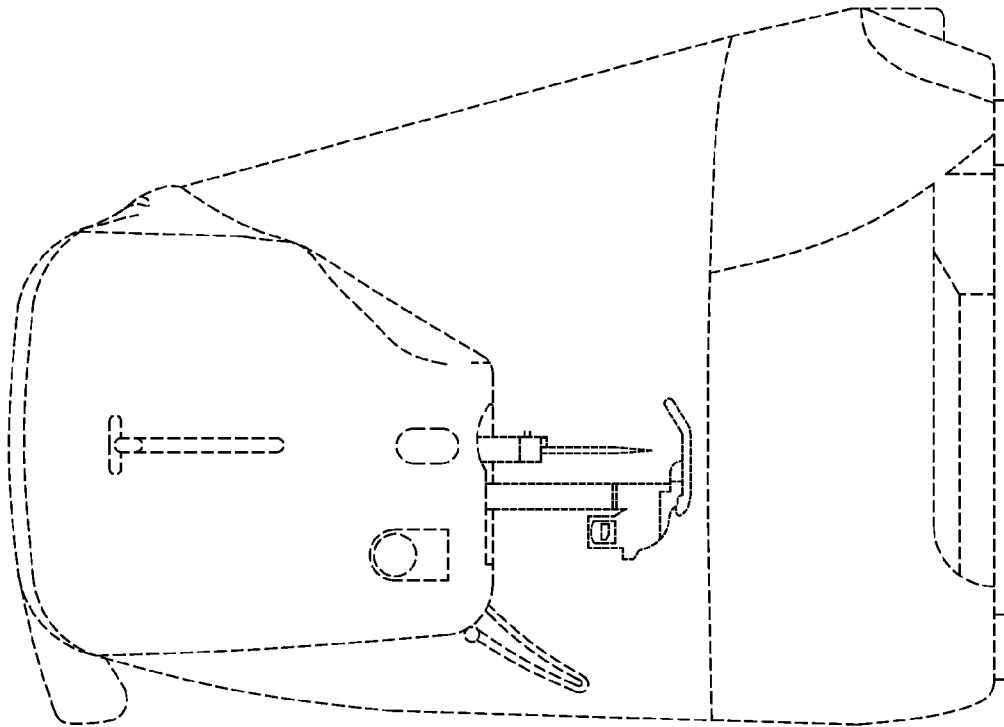


FIG. 3

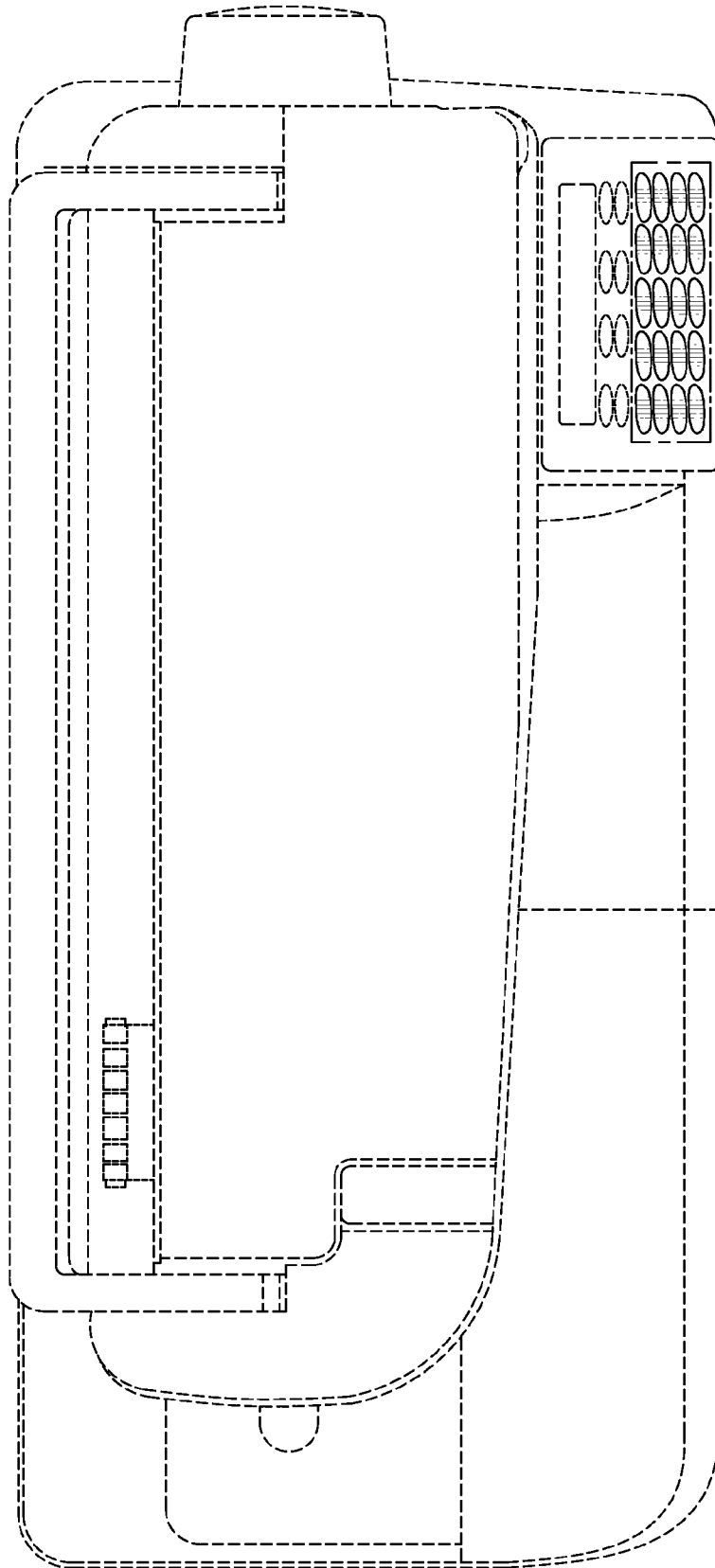


FIG. 5

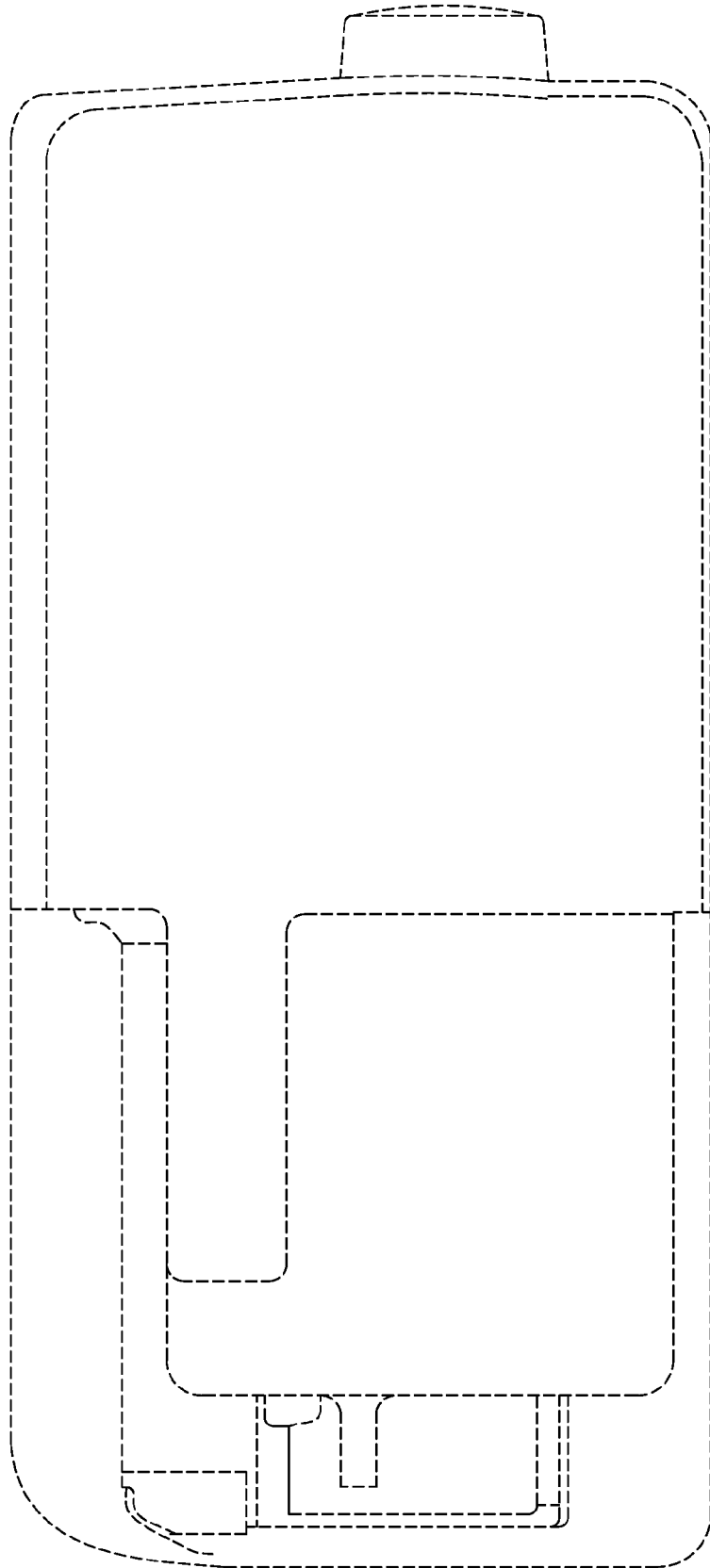


FIG. 6

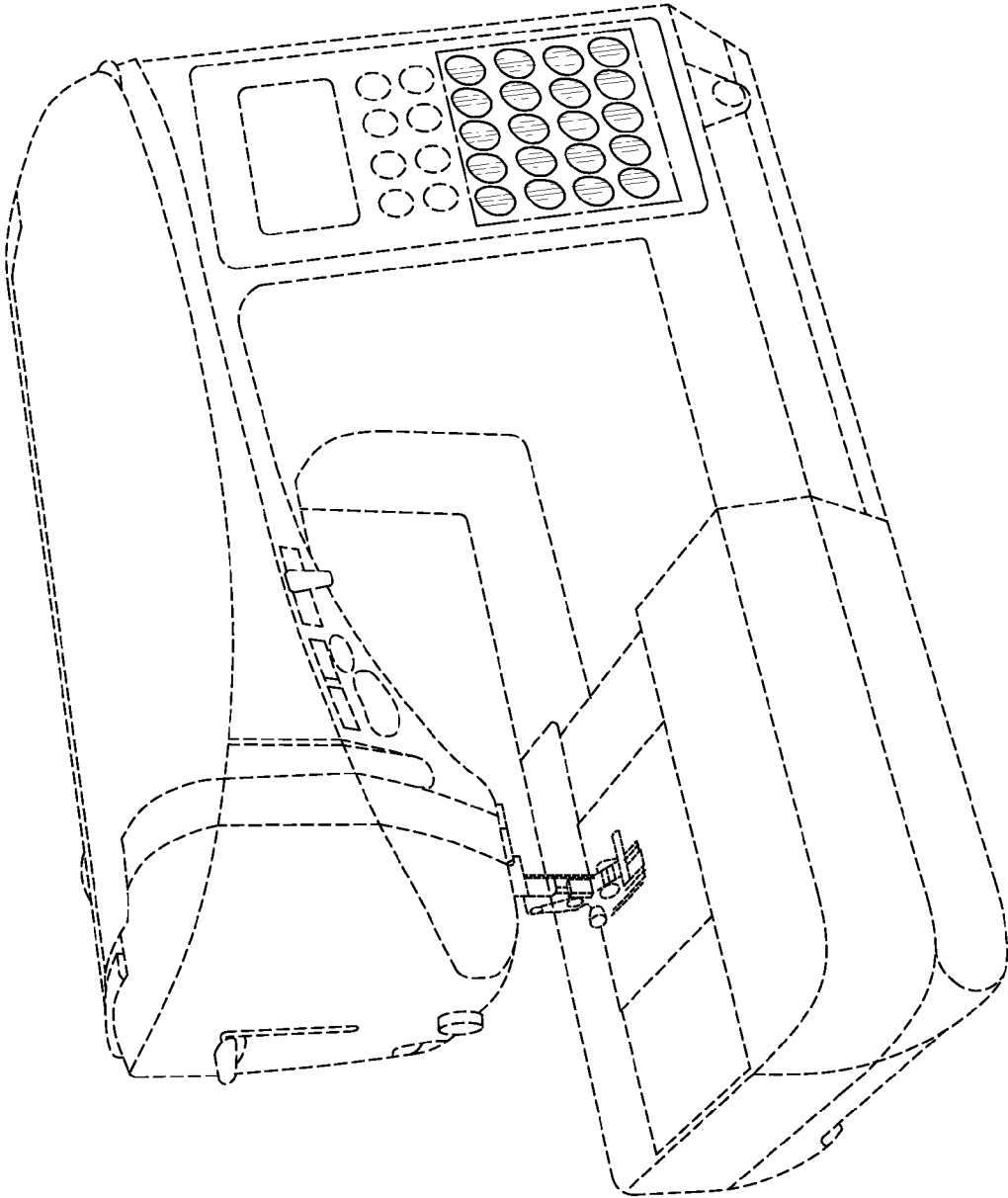


FIG.7