



US00D748623S

(12) **United States Design Patent**
Guo et al.

(10) **Patent No.:** **US D748,623 S**

(45) **Date of Patent:** **** Feb. 2, 2016**

(54) **COMPONENT FOR ELECTRONIC DEVICES**

(71) Applicant: **Power Idea Technology (Shenzhen) Co., Ltd., Shenzhen (CN)**

(72) Inventors: **Zhen-Yu Guo, Shenzhen (CN); Dong-Ming Chen, Shenzhen (CN)**

(73) Assignee: **Power Idea Technology (Shenzhen) Co., Ltd., Shenzhen (CN)**

(**) Term: **14 Years**

(21) Appl. No.: **29/496,428**

(22) Filed: **Jul. 11, 2014**

(51) **LOC (10) Cl.** **14-02**

(52) **U.S. Cl.**

USPC **D14/341; D14/441; D14/511**

(58) **Field of Classification Search**

USPC D14/341, 441, 250, 496, 203.3, 474, D14/483, 217, 137, 138, 160, 168, 138 R, D14/138 AA, 138 AC, 138 C, 138 G, 346, D14/203.1-203.8, 507, 511, 125; 345/156, 345/169; 455/575.1; 273/148 B

CPC H04M 1/0202; H04M 1/0235; H04M 1/0237; H04M 1/0239; H04M 2250/52

See application file for complete search history.

(56) **References Cited**

U.S. PATENT DOCUMENTS

6,238,291	B1 *	5/2001	Fujimoto	A63F 13/02 273/148 B
D490,070	S *	5/2004	Lee	D14/188
D494,151	S *	8/2004	Walliser	D14/138 G
6,769,603	B2 *	8/2004	Nagai	G11B 20/10527 235/375
D499,423	S *	12/2004	Bahroocha	D14/203.7
D511,347	S *	11/2005	Naruki	D14/203.7
D511,512	S *	11/2005	Yang	D14/203.3
D520,515	S *	5/2006	Sitoh	D14/203.7
D523,837	S *	6/2006	Lee	D14/138 AA
D532,425	S *	11/2006	Kim	D14/203.7

D533,565	S *	12/2006	Kim	D14/203.7
D537,060	S *	2/2007	Moon	D14/138 AA
7,180,735	B2 *	2/2007	Thomas	G06F 1/1626 206/701
D539,306	S *	3/2007	Naruki	D14/203.7
7,203,529	B2 *	4/2007	Kim	H04N 1/2112 348/E7.079
D545,294	S *	6/2007	Hwang	D14/138 AA
D546,802	S *	7/2007	Cho	D14/138 AA
7,239,900	B2 *	7/2007	Choi	H04M 1/021 455/550.1
D550,708	S *	9/2007	Kim	D14/496
D550,714	S *	9/2007	Ferraboshi	D14/496
D551,253	S *	9/2007	Shin	D14/496
D557,279	S *	12/2007	Kim	D14/496
D558,460	S *	1/2008	Yu	D14/341
D560,686	S *	1/2008	Kim	D14/496
D561,204	S *	2/2008	Toh	D14/496
D563,378	S *	3/2008	Tseng	D14/138 AA
D602,015	S *	10/2009	Andre	D14/203.7
D603,389	S *	11/2009	Khan	D14/250
D607,872	S *	1/2010	Lee	D14/203.3
D613,722	S *	4/2010	Kaneta	D14/138 G
D616,407	S *	5/2010	Kim	D14/138 G

(Continued)

Primary Examiner — Paula Greene

(74) Attorney, Agent, or Firm — Shimokaji IP

(57) **CLAIM**

The ornamental design for a component for electronic devices, as shown and described.

DESCRIPTION

FIG. 1 is a perspective view of the invention from the front left side.

FIG. 2 is a perspective view from the rear right side thereof.

FIG. 3 is a left elevation view thereof.

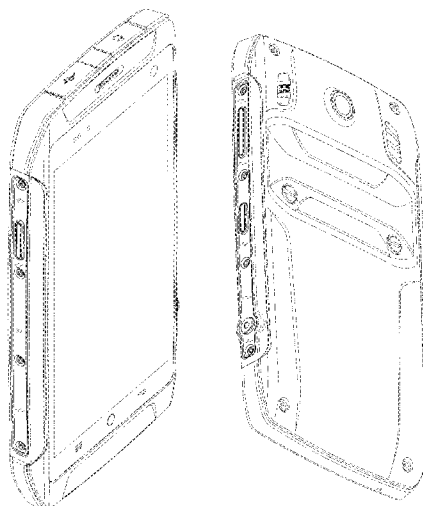
FIG. 4 is a right elevation view thereof.

FIG. 5 is a rear elevation view thereof; and,

FIG. 6 is a top elevation view thereof.

The broken lines in the drawings are employed to show environmental structures only, and form no part of the claimed design.

1 Claim, 6 Drawing Sheets



(56)

References Cited

U.S. PATENT DOCUMENTS

D618,196 S *	6/2010	Bang	D14/138 AA	D683,338 S *	5/2013	Wilson	D14/250
D628,978 S *	12/2010	Kim	D14/203.3	8,542,482 B2 *	9/2013	Hsiung	H04M 1/236 200/341
D629,788 S *	12/2010	Lee	D14/203.3	D693,787 S *	11/2013	Reivo	D14/138 G
D644,216 S *	8/2011	Richardson	D14/250	D702,732 S *	4/2014	Wu	D14/203.5
D662,488 S *	6/2012	Yeo	D14/203.3	D704,164 S *	5/2014	Green	D14/217
D663,319 S *	7/2012	Chen	D14/203.3	D707,214 S *	6/2014	Reivo	D14/248
D665,372 S *	8/2012	Park	D14/138 G	D717,265 S *	11/2014	Zhao	D14/138 G
D666,578 S *	9/2012	Lin	D14/203.3	D717,758 S *	11/2014	Kim	D14/138 G
D676,459 S *	2/2013	Hofer	D14/203.3	8,976,523 B2 *	3/2015	Song	H05K 5/0239 361/679.3
8,378,796 B2 *	2/2013	Hwang	G06F 1/1626 340/407.1	9,031,616 B2 *	5/2015	Gagne	H04M 1/185 345/633
D677,233 S *	3/2013	Mauritzson	D14/138 G	D736,205 S *	8/2015	Park	D14/138 R

* cited by examiner

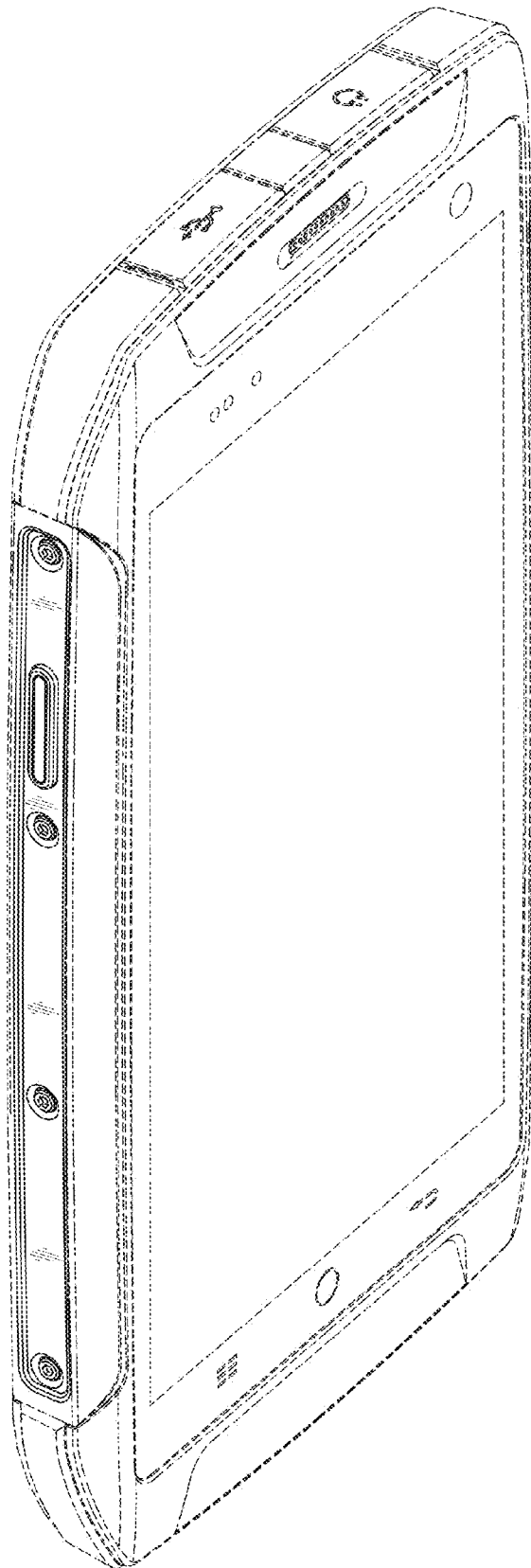


FIG. 1



FIG. 2

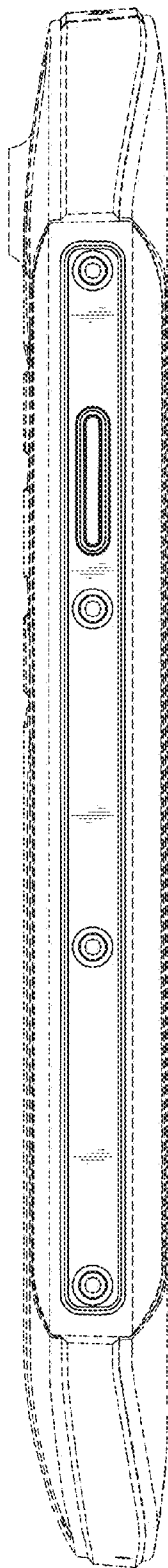


FIG. 3

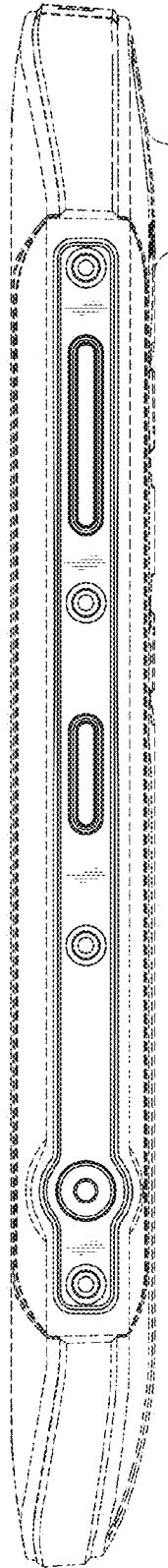


FIG. 4

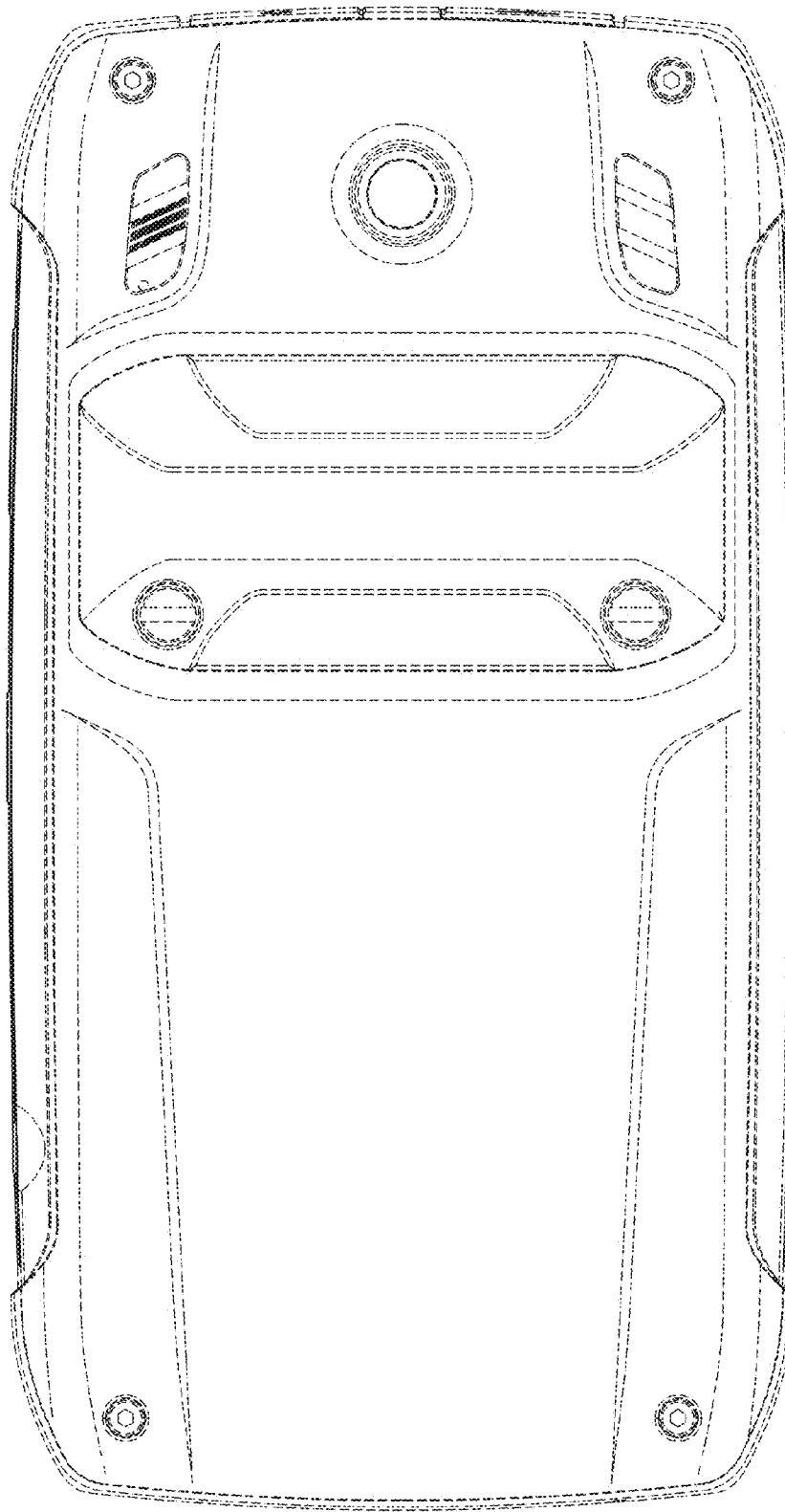


FIG. 5

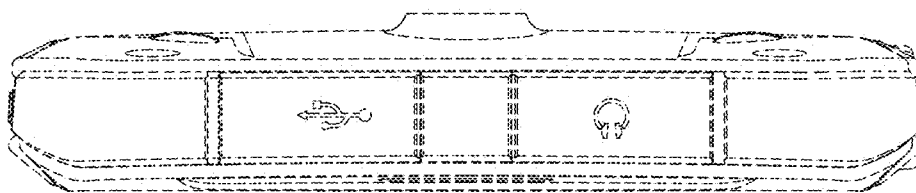


FIG. 6