



US00D530423S

(12) **United States Design Patent** (10) **Patent No.:** **US D530,423 S**  
**Miles et al.** (45) **Date of Patent:** **\*\* Oct. 17, 2006**

- (54) **INTERVERTEBRAL IMPLANT** 5,092,572 A 3/1992 Litwak et al.
- 5,133,717 A 7/1992 Chopin
- (75) Inventors: **Patrick Miles**, San Diego, CA (US); 5,133,755 A 7/1992 Brekke
- Matthew Curran**, Carlsbad, CA (US) 5,171,278 A 12/1992 Pisharodi
- 5,192,327 A 3/1993 Brantigan
- (73) Assignee: **NuVasive, Inc.**, San Diego, CA (US) 5,217,497 A 6/1993 Mehdian
- 5,269,785 A 12/1993 Bonutti
- (\*\*) Term: **14 Years** 5,284,153 A 2/1994 Raymond et al.
- 5,290,494 A 3/1994 Coombes et al.
- (21) Appl. No.: **29/227,372** 5,300,076 A 4/1994 Leriche
- 5,304,210 A 4/1994 Crook
- (22) Filed: **Apr. 11, 2005** 5,306,307 A 4/1994 Senter et al.
- 5,306,309 A 4/1994 Wagner et al.
- 5,322,505 A 6/1994 Krause et al.

**Related U.S. Application Data**

- (63) Continuation of application No. 11/093,409, filed on Mar. 29, 2005.
- (51) **LOC (8) Cl.** ..... **24-03**
- (52) **U.S. Cl.** ..... **D24/155**
- (58) **Field of Classification Search** ..... D24/155;  
606/61, 72, 74; 623/17.16, 17.17, 11.11  
See application file for complete search history.

(Continued)

**FOREIGN PATENT DOCUMENTS**

CA	2015507	1/1991
EP	369603	5/1990

(Continued)

**OTHER PUBLICATIONS**

Alleyne, Cargill H., et al., "Current and future approaches to lumbar disc surgery: A literature review", *Medscape Orthopedics & Sports Medicine, 1*, [www.medscape.com/Medscape/OrthoSportsMed/1997/v01.n11/.../mos3057],(1997).

(Continued)

*Primary Examiner*—Charles A. Rademaker  
(74) *Attorney, Agent, or Firm*—Jonathan Spangler

(57) **CLAIM**

The ornamental design for an intervertebral implant, as shown and described.

**DESCRIPTION**

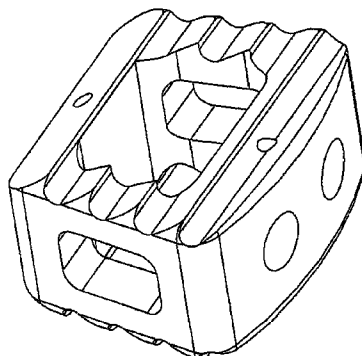
FIG. 1 is a top perspective view of an intervertebral implant showing our new design;  
FIG. 2 is a bottom perspective view thereof;  
FIG. 3 is a side elevation view thereof; and,  
FIG. 4 is a side elevation of the side opposite that shown in FIG. 3.

**1 Claim, 2 Drawing Sheets**

(56) **References Cited**

**U.S. PATENT DOCUMENTS**

- 3,486,505 A 12/1969 Morrison
- 3,518,993 A 7/1970 Blake
- 3,604,487 A 9/1971 Gilbert
- 3,745,995 A 7/1973 Kraus
- 3,848,601 A 11/1974 Ma et al.
- 4,026,304 A 5/1977 Levy
- 4,026,305 A 5/1977 Brownlee et al.
- 4,646,738 A 3/1987 Trott
- 4,657,550 A 4/1987 Daher
- 4,743,256 A 5/1988 Brantigan
- 4,781,591 A 11/1988 Allen
- 4,834,757 A 5/1989 Brantigan
- 4,877,020 A 10/1989 Vich
- 4,878,915 A 11/1989 Brantigan
- 4,932,975 A 6/1990 Main et al.
- 4,961,740 A 10/1990 Ray et al.
- 4,962,766 A 10/1990 Herzon
- 5,026,373 A 6/1991 Ray et al.
- 5,055,104 A 10/1991 Ray
- 5,062,845 A 11/1991 Kuslich et al.



# US D530,423 S

## U.S. PATENT DOCUMENTS

5,334,205	A	8/1994 Cain	5,797,909	A 8/1998 Michelson
5,336,223	A	8/1994 Rogers	5,800,549	A 9/1998 Bao et al.
5,364,400	A	11/1994 Rego, Jr. et al.	5,800,550	A 9/1998 Sertich
5,395,372	A	3/1995 Holt et al.	5,814,084	A 9/1998 Grivas et al.
5,397,363	A	3/1995 Gelbard	5,851,208	A 12/1998 Trott
5,405,391	A	4/1995 Henderson et al.	5,865,845	A 2/1999 Thalgott
5,413,602	A	5/1995 Metz-Stavenhagen	5,865,848	A 2/1999 Baker
5,425,772	A *	6/1995 Brantigan ..... 623/17.11	5,885,299	A 3/1999 Winslow et al.
5,431,658	A	7/1995 Moskovich	5,888,219	A 3/1999 Bonutti
5,443,514	A	8/1995 Steffee	5,888,224	A 3/1999 Beckers et al.
5,443,515	A	8/1995 Cohen et al.	5,893,890	A 4/1999 Pisharodi
5,445,639	A	8/1995 Kuslich et al.	5,904,719	A 5/1999 Errico et al.
5,454,811	A	10/1995 Huebner	5,910,315	A 6/1999 Stevenson et al.
5,458,638	A	10/1995 Kuslich et al.	5,954,769	A 9/1999 Rosenlicht
5,484,403	A	1/1996 Yoakum et al.	5,968,098	A 10/1999 Winslow
5,489,308	A	2/1996 Kuslich et al.	5,993,474	A 11/1999 Ouchi
5,514,180	A	5/1996 Heggeness et al.	6,004,326	A 12/1999 Castro et al.
5,522,879	A	6/1996 Scopelianos	6,008,433	A 12/1999 Stone
5,522,899	A	6/1996 Michelson	6,015,436	A 1/2000 Schonhoffer
5,524,624	A	6/1996 Tepper et al.	6,033,405	A 3/2000 Winslow et al.
5,527,312	A	6/1996 Ray	6,039,761	A 3/2000 Li et al.
5,534,030	A	7/1996 Navarro et al.	6,042,582	A 3/2000 Ray
5,540,688	A	7/1996 Navas	6,045,580	A 4/2000 Scarborough et al.
5,545,222	A	8/1996 Bonutti	6,048,342	A 4/2000 Zucherman et al.
5,562,736	A	10/1996 Ray et al.	6,059,829	A * 5/2000 Schlapfer et al. .... 623/17.16
5,565,005	A	10/1996 Erickson et al.	6,063,088	A 5/2000 Winslow
5,571,190	A	11/1996 Ulrich	6,083,225	A 7/2000 Winslow et al.
5,571,192	A	11/1996 Schonhoffer	6,096,080	A 8/2000 Nicholson et al.
5,593,409	A	1/1997 Michelson	6,102,948	A 8/2000 Brosnahan, III
5,609,636	A	3/1997 Kohrs et al.	6,120,506	A 9/2000 Kohrs et al.
5,611,800	A	3/1997 Davis et al.	6,132,472	A 10/2000 Bonutti
5,611,810	A	3/1997 Arnold et al.	6,159,211	A 12/2000 Boriani et al.
5,632,747	A	5/1997 Scarborough et al.	6,159,215	A 12/2000 Urbahns et al.
5,645,598	A	7/1997 Brosnahan et al.	6,193,756	B1 2/2001 Studer et al.
5,653,761	A	8/1997 Pisharodi	6,200,347	B1 3/2001 Anderson
5,653,762	A	8/1997 Pisharodi	6,224,607	B1 5/2001 Michelson
5,658,336	A	8/1997 Pisharodi	6,224,631	B1 5/2001 Kohrs
5,658,337	A	8/1997 Kohrs et al.	6,241,769	B1 6/2001 Nicholson et al.
5,662,710	A	9/1997 Bonutti	6,241,771	B1 6/2001 Gresser et al.
5,665,122	A	9/1997 Kambin	6,251,140	B1 6/2001 Marino et al.
5,669,909	A	9/1997 Zdeblick et al.	6,258,125	B1 7/2001 Paul et al.
5,676,703	A	10/1997 Gelbard	6,277,149	B1 8/2001 Boyle et al.
5,683,394	A	11/1997 Rinner	6,319,257	B1 11/2001 Carignan et al.
5,683,400	A	11/1997 McGuire	6,371,989	B1 4/2002 Chauvin et al.
5,683,464	A	11/1997 Wagner et al.	6,375,655	B1 * 4/2002 Zdeblick et al. .... 623/17.11
5,690,629	A	11/1997 Asher et al.	6,383,221	B1 5/2002 Scarborough et al.
5,700,264	A	12/1997 Zucherman et al.	6,409,766	B1 * 6/2002 Brett ..... 623/17.16
5,700,291	A	12/1997 Kuslich et al.	6,432,140	B1 * 8/2002 Lin ..... 623/17.16
5,700,292	A	12/1997 Margulies	6,440,142	B1 8/2002 Ralph et al.
5,702,449	A	12/1997 McKay	6,442,814	B1 9/2002 Landry et al.
5,702,451	A	12/1997 Biedermann et al.	6,454,806	B1 9/2002 Cohen et al.
5,702,453	A	12/1997 Rabbe et al.	6,468,311	B1 * 10/2002 Boyd et al. .... 623/17.16
5,702,454	A	12/1997 Baumgartner	6,491,724	B1 * 12/2002 Ferree ..... 623/17.11
5,702,455	A	12/1997 Saggat	6,527,773	B1 3/2003 Lin et al.
5,703,451	A	12/1997 Yamamichi et al.	D472,633	S * 4/2003 Anderson ..... D24/155
5,707,373	A	1/1998 Sevrain et al.	D472,634	S * 4/2003 Anderson ..... D24/155
5,711,957	A	1/1998 Patat et al.	D473,650	S * 4/2003 Anderson ..... D24/155
5,716,415	A	2/1998 Steffee	6,547,823	B1 4/2003 Scarborough et al.
5,720,748	A	2/1998 Kuslich et al.	6,595,998	B1 7/2003 Johnson et al.
5,720,751	A	2/1998 Jackson	6,613,091	B1 * 9/2003 Zdeblick et al. .... 623/17.16
5,728,159	A	3/1998 Stroever et al.	6,626,905	B1 9/2003 Schmiel et al.
5,741,261	A	4/1998 Moskovitz et al.	6,635,086	B1 10/2003 Lin
5,755,797	A	5/1998 Baumgartner	6,648,895	B1 11/2003 Burkus et al.
5,766,252	A	6/1998 Henry et al.	6,676,703	B1 * 1/2004 Biscup ..... 623/17.16
5,772,661	A	6/1998 Michelson	6,743,255	B1 * 6/2004 Ferree ..... 623/17.11
5,775,331	A	7/1998 Raymond et al.	6,746,484	B1 * 6/2004 Liu et al. .... 623/17.16
5,779,642	A	7/1998 Nightengale	6,755,841	B1 6/2004 Fraser et al.
5,782,830	A	7/1998 Farris	6,824,564	B1 * 11/2004 Crozet ..... 623/17.11
5,782,919	A	7/1998 Zdeblick et al.	6,964,687	B1 * 1/2005 Bernard ..... 623/17.16
5,785,710	A	7/1998 Michelson	D503,801	S * 4/2005 Jackson ..... D24/155
			6,942,698	B1 * 9/2005 Jackson ..... 623/17.16

6,955,691 B1 \* 10/2005 Chae et al. .... 623/17.16  
 2002/0058950 A1 5/2002 Winterbottom et al.  
 2003/0105528 A1 6/2003 Shimp et al.

WO WO-98/14142 4/1998  
 WO WO-98/17208 4/1998  
 WO WO-98/25539 6/1998  
 WO WO-99/08627 2/1999  
 WO WO-99/38461 8/1999  
 WO WO-00/45712 8/2000  
 WO WO-00/45713 8/2000  
 WO WO-01/41681 6/2001  
 WO WO-01/49333 7/2001

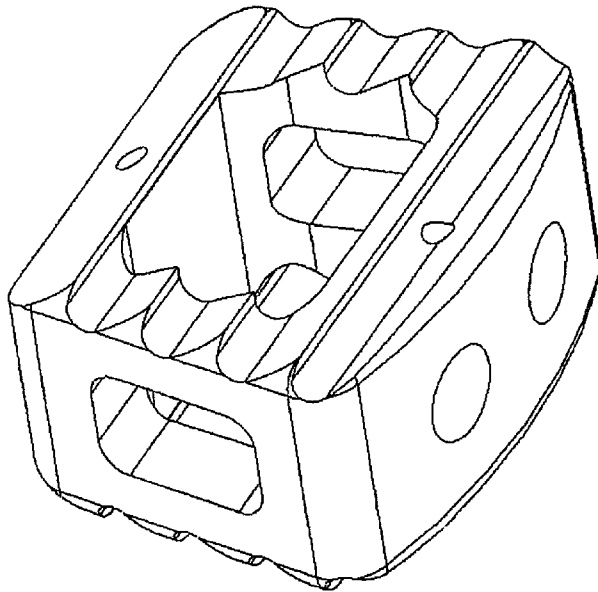
FOREIGN PATENT DOCUMENTS

EP 517030 5/1992  
 EP 667127 8/1995  
 EP 706876 4/1996  
 EP 716840 6/1996  
 EP 737448 10/1996  
 EP 796593 9/1997  
 EP 880938 2/1998  
 EP 809974 4/1998  
 EP 809975 4/1998  
 EP 811356 4/1998  
 WO WO-91/06261 5/1991  
 WO WO-94/04100 3/1994  
 WO WO-94/10928 5/1994  
 WO WO-95/01810 1/1995  
 WO WO-96/08205 3/1996  
 WO WO-96/17564 3/1996  
 WO WO-96/41582 12/1996  
 WO WO-97/20513 6/1997  
 WO WO-97/33525 9/1997  
 WO WO-97/37620 10/1997  
 WO WO-98/09586 3/1998

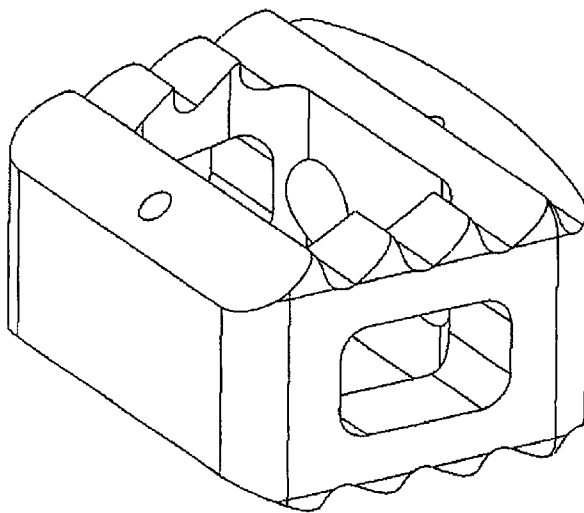
OTHER PUBLICATIONS

Benini, et al., "Undercutting decompression and posterior fusion with translaminar facet screw fixation in degenerative lumbar spinal stenosis: Technique and results", *Neuro-Orthopedics*, (1995),159-172.  
 Kambin, et al., "History and current status of percutaneous arthroscopic disc surgery", *Spine*, 21, (1996),57S-61S.  
 Stein, et al., "Percutaneous facet joint fusion: Preliminary experience", *Journal of Vascular and Interventional Radiology*, 4, (1993),69-74.  
 Vamvanij, et al., "Surgical treatment of internal disc disruption: An outcome study of four fusion techniques", *Journal of Spinal Disorders*, 4, (1998),375-382.

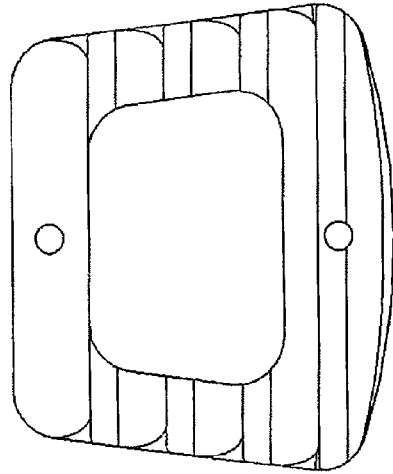
\* cited by examiner



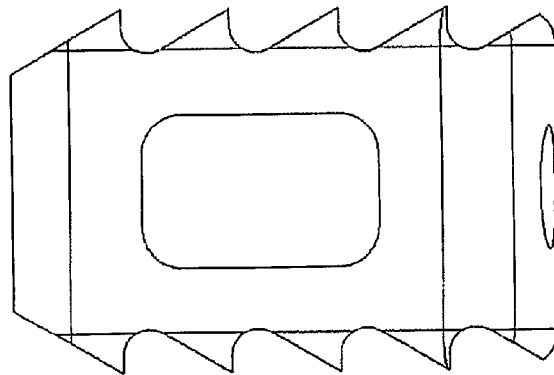
*Fig. 1*



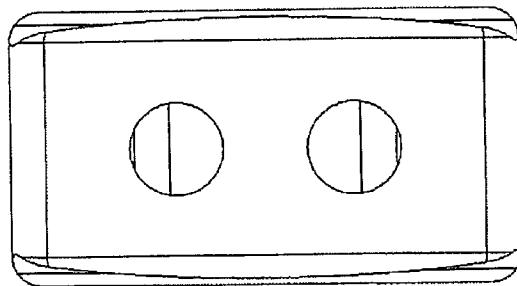
*Fig. 2*



*Fig. 3*



*Fig. 4*



*Fig. 5*