

CORRECTED VERSION

(19) World Intellectual Property Organization
International Bureau



(43) International Publication Date
2 November 2006 (02.11.2006)

PCT

(10) International Publication Number
WO 2006/116603 A3

(51) International Patent Classification:
A61F 7/00 (2006.01)

LOGAN, Mark, A.; 253 Rombout Road, Pleasant Valley,
New York 12569 (US).

(21) International Application Number:
PCT/US2006/016037

(74) Agents: JUO, James et al.; FULWIDER PATTON LLP,
Howard Hughes Center, 6060 Center Drive, Tenth Floor,
Los Angeles, California 90045 (US).

(22) International Filing Date: 27 April 2006 (27.04.2006)

(25) Filing Language: English

(81) Designated States (unless otherwise indicated, for every
kind of national protection available): AE, AG, AL, AM,
AT, AU, AZ, BA, BB, BG, BR, BW, BY, BZ, CA, CH, CN,
CO, CR, CU, CZ, DE, DK, DM, DZ, EC, EE, EG, ES, FI,
GB, GD, GE, GH, GM, HR, HU, ID, IL, IN, IS, JP, KE,
KG, KM, KN, KP, KR, KZ, LC, LK, LR, LS, LT, LU, LV,
LY, MA, MD, MG, MK, MN, MW, MX, MZ, NA, NG, NI,
NO, NZ, OM, PG, PH, PL, PT, RO, RU, SC, SD, SE, SG,
SK, SL, SM, SY, TJ, TM, TN, TR, TT, TZ, UA, UG, US,
UZ, VC, VN, YU, ZA, ZM, ZW.

(26) Publication Language: English

(30) Priority Data:
60/594,662 27 April 2005 (27.04.2005) US
60/695,800 29 June 2005 (29.06.2005) US

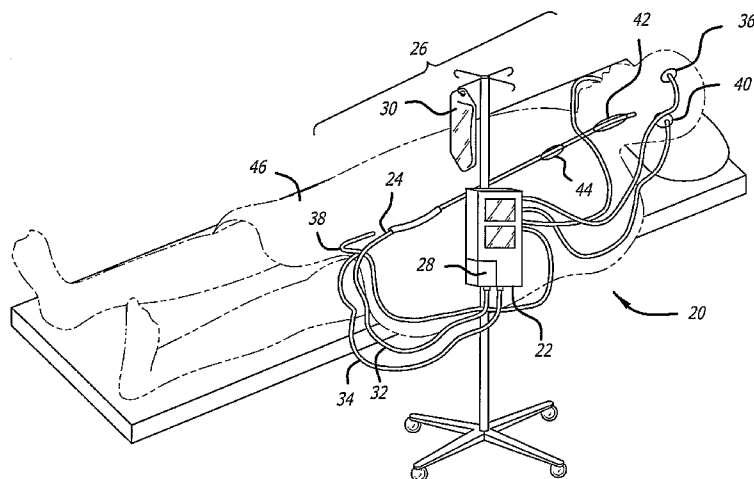
(71) Applicant (for all designated States except US): RADI-
ANT MEDICAL, INC. [US/US]; 250 Chesapeake Drive,
Redwood City, California 94063 (US).

(72) Inventors: SCOTT, David; 2108 Hastings Shore Lane,
Redwood City, California 94065 (US). BRIAN, Ben,
F.; 2088 Camino de los Robles, Menlo Park, California
94025 (US). WRIGHT, Lloyd, F.; 16 Fairview Road,
Hopewell Junction, New York 12533 (US). CHIN, Leo,
A.; 25 Underhill Road N., Poughquag, New York 12570
(US). HOLLMEN, Edward, W.; 342 Van Wagner Road,
Poughkeepsie, New York 12603 (US). SEEGARS, Daniel,
W.; 31 Halstead Road, Salt Point, New York 12578 (US).

(84) Designated States (unless otherwise indicated, for every
kind of regional protection available): ARIPO (BW, GH,
GM, KE, LS, MW, MZ, NA, SD, SL, SZ, TZ, UG, ZM,
ZW), Eurasian (AM, AZ, BY, KG, KZ, MD, RU, TJ, TM),
European (AT, BE, BG, CH, CY, CZ, DE, DK, EE, ES, FI,
FR, GB, GR, HU, IE, IS, IT, LT, LU, LV, MC, NL, PL, PT,
RO, SE, SI, SK, TR), OAPI (BF, BJ, CF, CG, CI, CM, GA,
GN, GQ, GW, ML, MR, NE, SN, TD, TG).

[Continued on next page]

(54) Title: APPARATUS AND METHOD FOR PROVIDING ENHANCED HEAT TRANSFER FROM A BODY



(57) Abstract: Methods and apparatuses for temperature modification of a patient, or selected regions thereof, including an induced state of hypothermia. The temperature modification is accomplished using an in-dwelling heat exchange catheter within which a fluid heat exchange medium circulates. A heat exchange cassette is attached to the circulatory conduits of the catheter, the heat exchange cassette being sized to engage a cavity within a control unit. The control unit includes a heater/cooler device for providing heated or cooled fluid to a heat exchanger in thermal communication with the fluid heat exchange medium circulating to the heat exchange catheter, a user input device, and a processor connected to receive input from various sensors around the body and the system. A temperature control scheme for ramping the body temperature up or down without overshoot is provided.

WO 2006/116603 A3



Published:

— *with international search report*

(88) Date of publication of the international search report:

25 October 2007

(48) Date of publication of this corrected version:

13 December 2007

(15) Information about Correction:

see PCT Gazette No. 50/2007 of 13 December 2007

For two-letter codes and other abbreviations, refer to the "Guidance Notes on Codes and Abbreviations" appearing at the beginning of each regular issue of the PCT Gazette.