



US0D1017907S

(12) **United States Design Patent**
Zhang

(10) **Patent No.:** **US D1,017,907 S**

(45) **Date of Patent:** **** Mar. 12, 2024**

(54) **NAIL GRINDING MACHINE**

(71) Applicant: **Guangzhou Yada Nail Products Co., LTD.**, Guangzhou (CN)

(72) Inventor: **Bingna Zhang**, Chaozhou (CN)

(73) Assignee: **Guangzhou Yada Nail Products Co., LTD.**, Guangzhou (CN)

(**) Term: **15 Years**

(21) Appl. No.: **29/902,746**

(22) Filed: **Sep. 15, 2023**

(51) **LOC (14) Cl.** **28-03**

(52) **U.S. Cl.**
USPC **D28/58**

(58) **Field of Classification Search**
USPC D28/56, 57, 58, 59, 62; 132/73, 73.5, 132/73.6

CPC A45D 29/00; A45D 29/11; A45D 29/12; A45D 29/14; A45D 29/17; A45D 29/18

See application file for complete search history.

(56) **References Cited**

U.S. PATENT DOCUMENTS

D825,107	S	*	8/2018	Du	D28/58
D900,395	S	*	10/2020	Du	D28/58
D903,198	S		11/2020	Du et al.		
D903,199	S	*	11/2020	Li	D28/58
D912,903	S	*	3/2021	Fu	D28/58
D912,904	S	*	3/2021	Tan	D28/58
11,484,107	B2	*	11/2022	Hurter	H02J 7/0047
D999,610	S	*	9/2023	Zhang	D28/58
D999,994	S	*	9/2023	Yang	D28/58
2023/0134504	A1	*	5/2023	Haile	A45D 29/05 132/73.6

FOREIGN PATENT DOCUMENTS

CN	308065653	*	6/2023
CN	308157108	*	8/2023
CN	308169684	*	8/2023
CN	308202504	*	9/2023
EM	008100366-0002	*	11/2021

OTHER PUBLICATIONS

Professional Portable Nail Drill [online], [publication date is May 13, 2022]. [Retrieved from the internet on Oct. 2, 2023]. URL: <<https://www.amazon.com/Portable-Rechargeable-Electric-Professional-Polishing/dp/B09W9QJB67/ref>>. (Year: 2022).*

(Continued)

Primary Examiner — Karen E Eldridge Powers

Assistant Examiner — Margaret Leah Bryan

(74) *Attorney, Agent, or Firm* — George D. Morgan

(57) **CLAIM**

The ornamental design for a nail grinding machine, as shown and described.

DESCRIPTION

FIG. 1 is a front perspective view of a nail grinding machine, showing my new design;

FIG. 2 is a rear perspective view thereof;

FIG. 3 is a front view thereof;

FIG. 4 is a rear view thereof;

FIG. 5 is a left side view thereof;

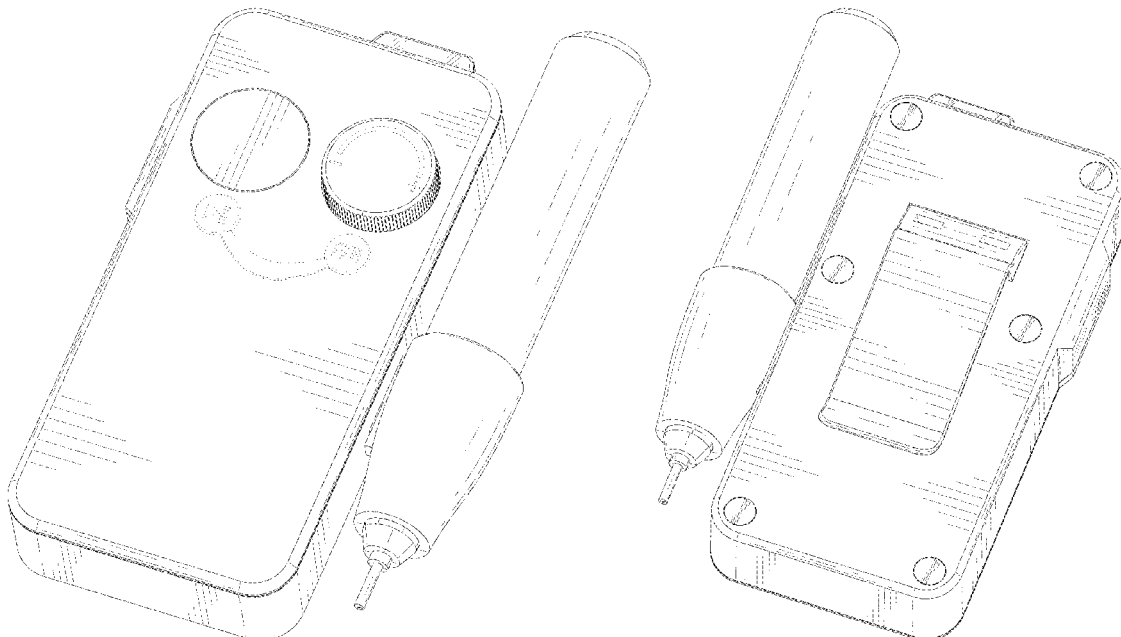
FIG. 6 is a right side view thereof;

FIG. 7 is a top view thereof; and,

FIG. 8 is a bottom view thereof.

The broken lines in the drawings illustrate the portions of the nail grinding machine, which form no part of the claimed design.

1 Claim, 8 Drawing Sheets



(56)

References Cited

OTHER PUBLICATIONS

Lnkerco Professional Nail Drill Machine [online], [publication date is Aug. 17, 2023]. [Retrieved from the internet on Oct. 2, 2023]. URL: <<https://www.amazon.com/LNKERCO-Professional-Electric-Manicure-Polishing/dp/B0C9WYBP47/ref>>. (Year: 2023).*

Madenia Professional Nail Drill Machine [online], [publication date is Jul. 11, 2023]. [Retrieved from the internet on Oct. 2, 2023]. URL: <<https://www.amazon.com/Madenia-Professional-35000RPM-Electric-Polishing/dp/B0C6LXV7B5/ref>>. (Year: 2023).*

* cited by examiner

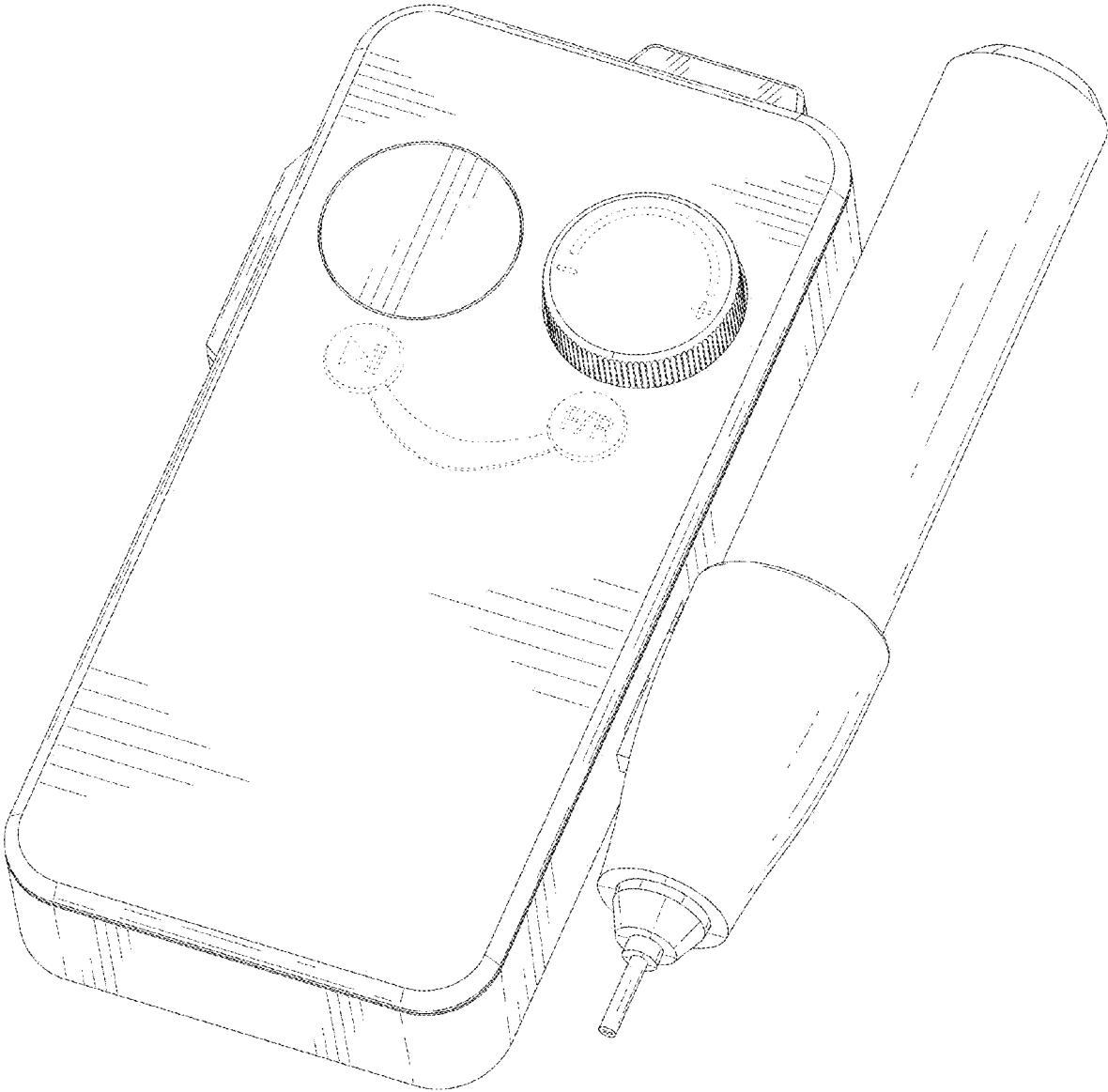


FIG. 1

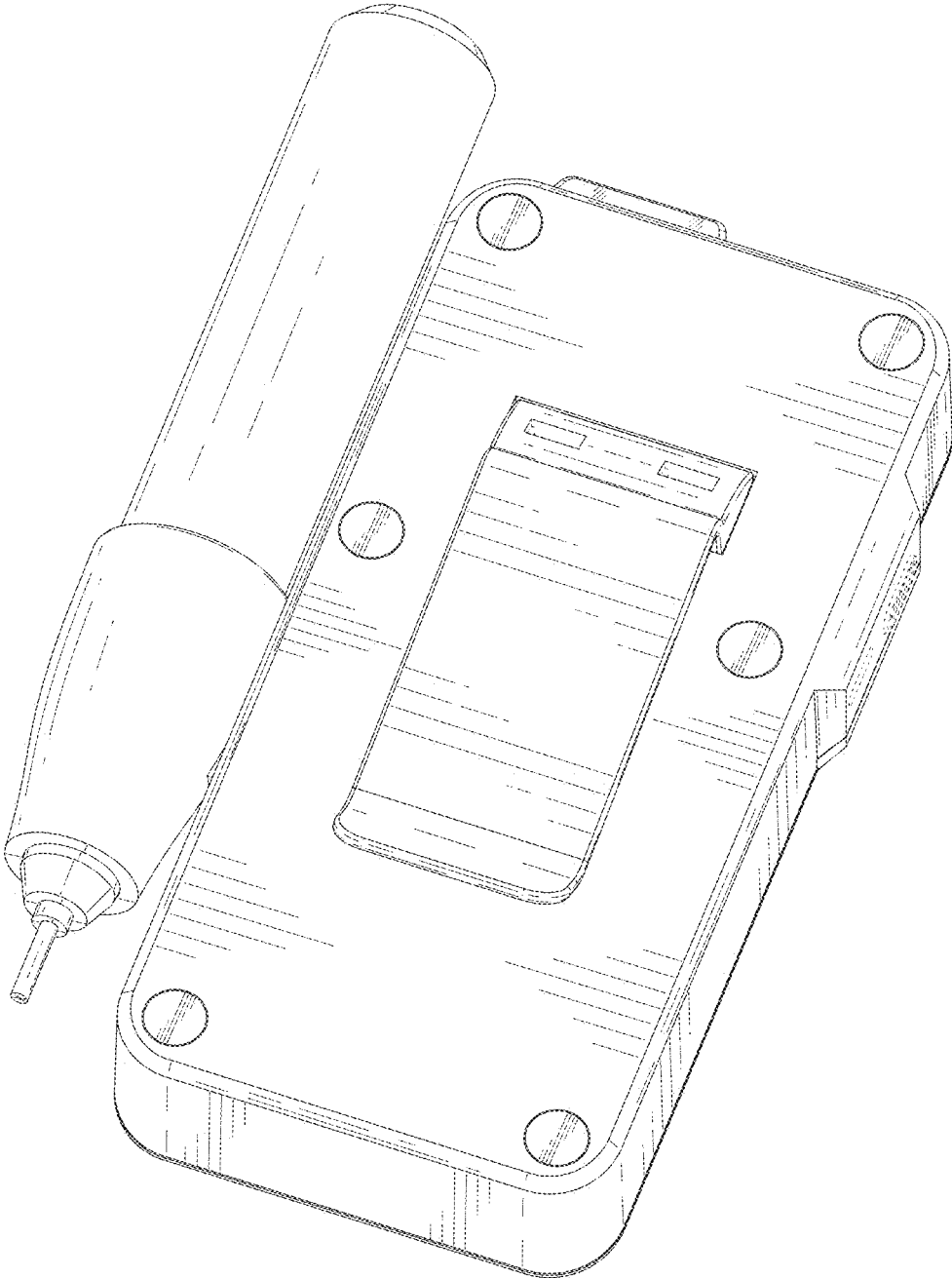


FIG. 2

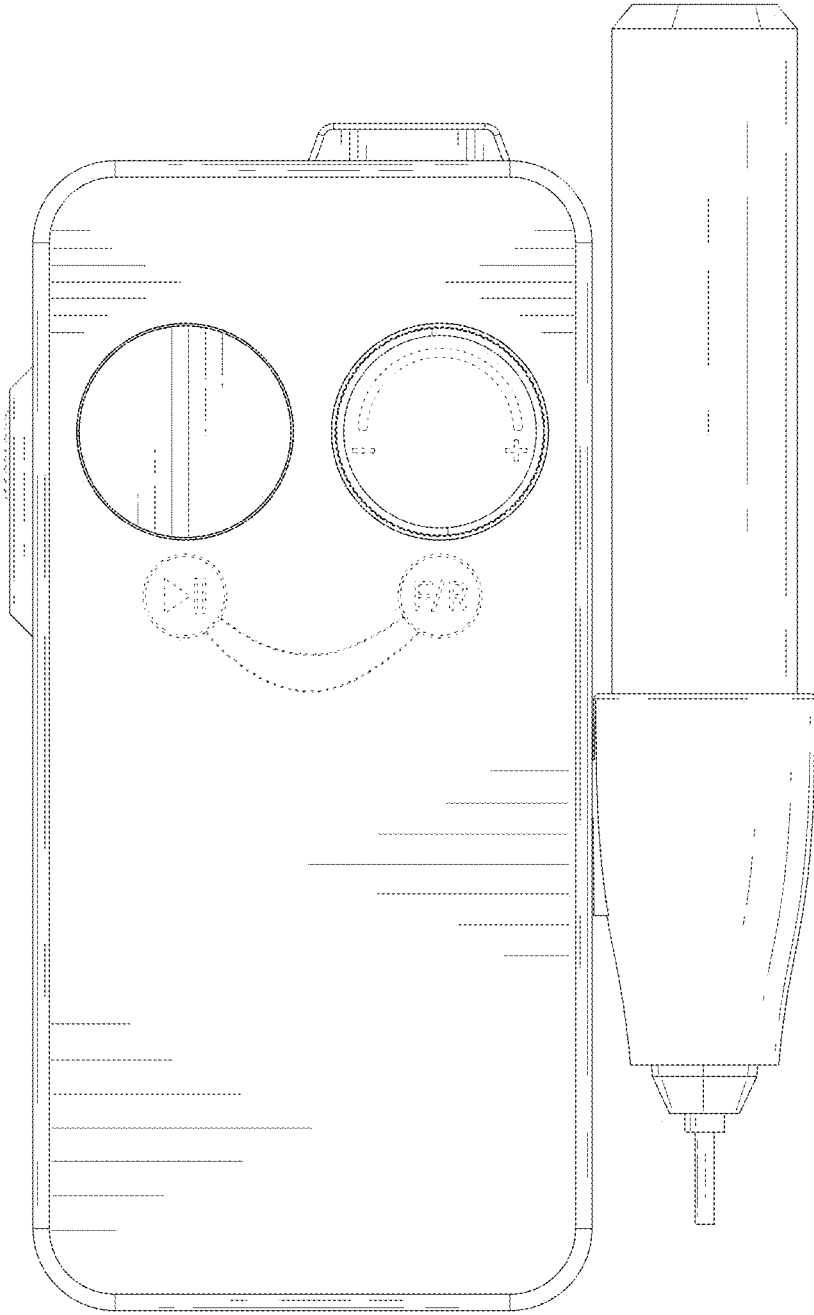


FIG. 3

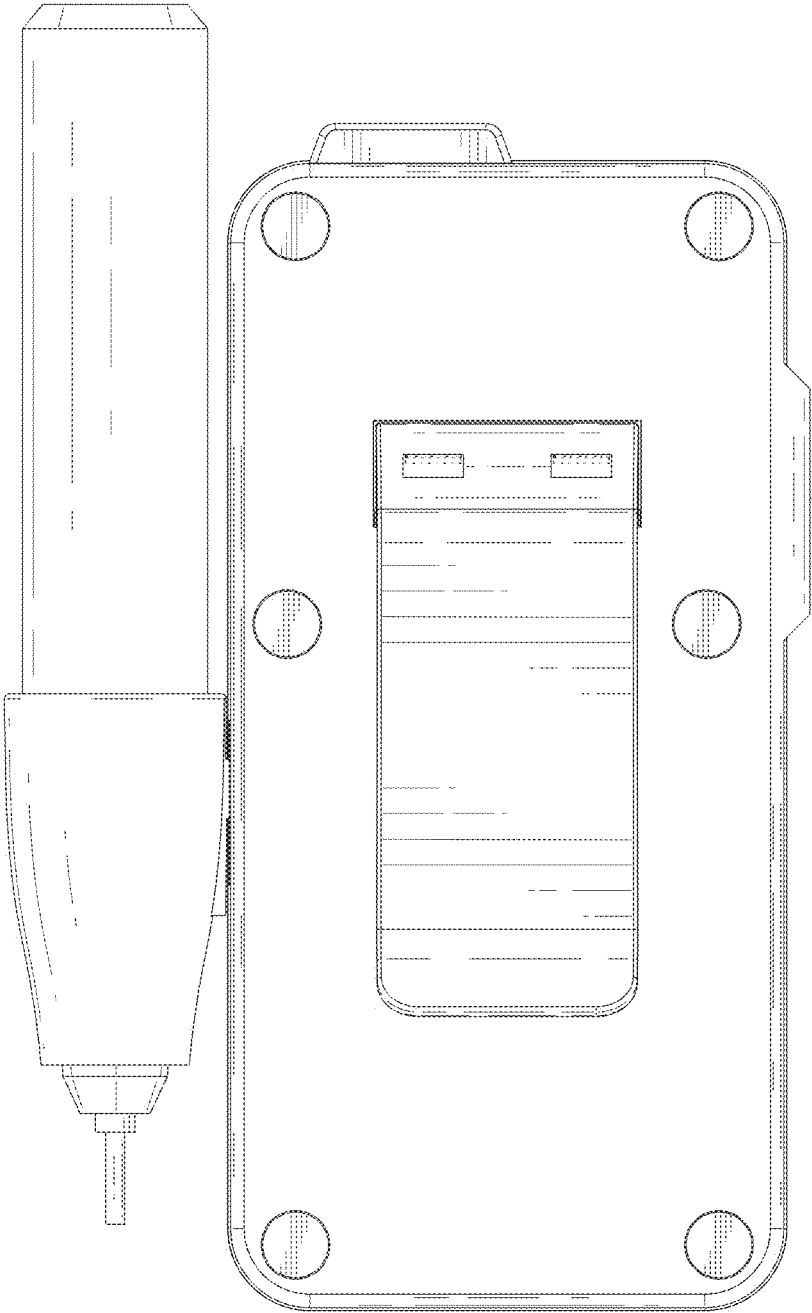


FIG. 4

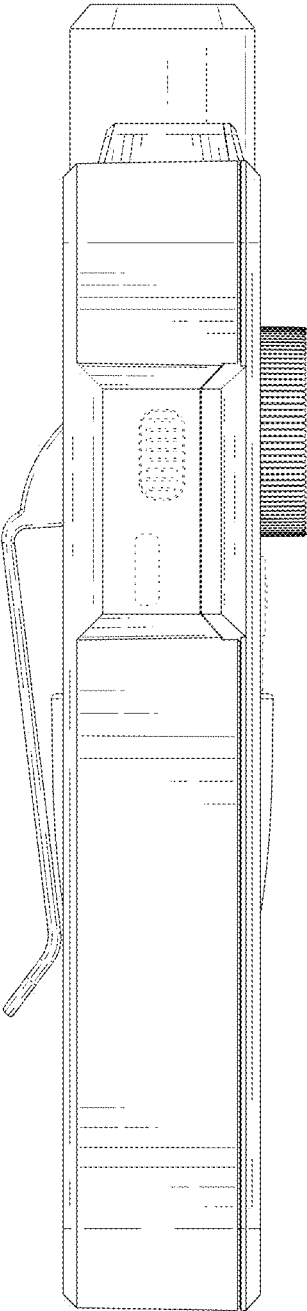


FIG. 5

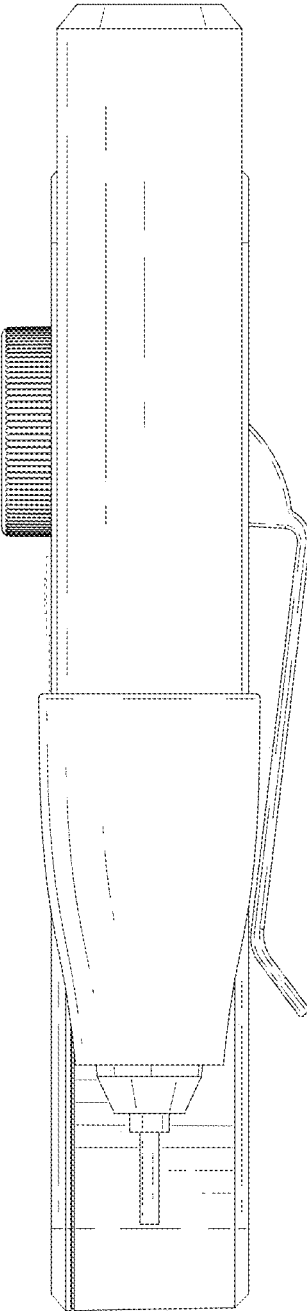


FIG. 6

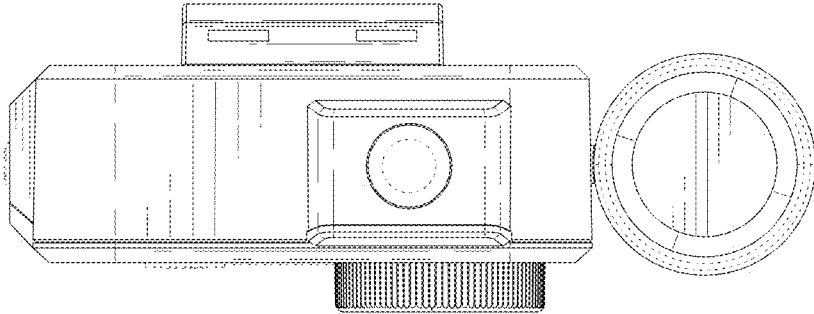


FIG. 7

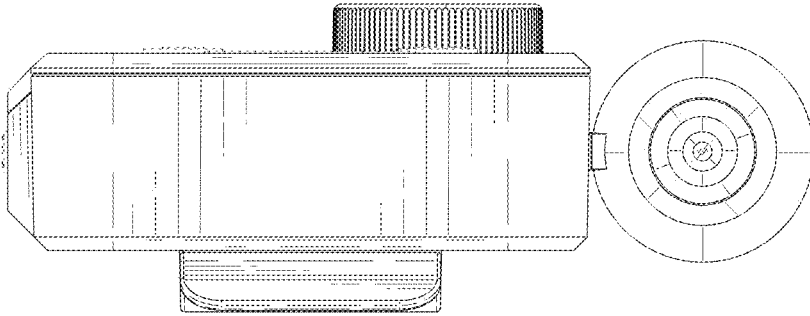


FIG. 8