



(12) **United States Design Patent**  
**Li**

(10) **Patent No.:** **US D976,201 S**  
(45) **Date of Patent:** **\*\* Jan. 24, 2023**

- (54) **CHARGER**
- (71) Applicant: **Jiang Li**, Guangdong (CN)
- (72) Inventor: **Jiang Li**, Guangdong (CN)
- (\*\*) Term: **15 Years**
- (21) Appl. No.: **29/795,925**
- (22) Filed: **Jun. 22, 2021**
- (51) **LOC (14) Cl.** ..... **13-02**
- (52) **U.S. Cl.**  
USPC ..... **D13/107**
- (58) **Field of Classification Search**  
USPC ..... D13/107-108, 110, 118-119, 184, 199;  
D14/251, 253, 432-434, 447  
CPC .... H02J 7/025; H02J 7/005; H02J 7/02; H02J  
7/0026; H02J 7/0042; H02J 7/0044; H02J  
7/0045; H02J 7/13; H02J 7/0003  
See application file for complete search history.

D601,953	S	*	10/2009	Asai	.....	D13/107
D605,111	S	*	12/2009	Schoch	.....	D13/107
D610,085	S	*	2/2010	Sweeney	.....	D13/107
D621,345	S	*	8/2010	Tinius	.....	D13/107
D635,917	S	*	4/2011	Okuda	.....	D13/107
D642,518	S	*	8/2011	Kokawa	.....	D13/107
D652,793	S	*	1/2012	Tschopp	.....	D13/107
D668,219	S	*	10/2012	Zhao	.....	D13/107
D721,648	S	*	1/2015	Breines	.....	D13/107
D723,458	S	*	3/2015	Martinez	.....	D13/108
D839,183	S	*	1/2019	Kirkpatrick	.....	D13/107
D840,926	S	*	2/2019	Howell	.....	D13/107
D885,331	S	*	5/2020	Suzuki	.....	D13/108
D897,948	S	*	10/2020	Yrad, Jr.	.....	H01R 13/501
						D13/107
D900,024	S	*	10/2020	Kuang	.....	D13/107
D900,025	S	*	10/2020	Chen	.....	D13/107
D924,128	S	*	7/2021	Hasenmayer	.....	D13/107
D931,803	S	*	9/2021	Ge	.....	D13/107

\* cited by examiner

*Primary Examiner* — Rosemary K Tarcza

(57) **CLAIM**

The ornamental design for a charger, as shown.

(56) **References Cited**

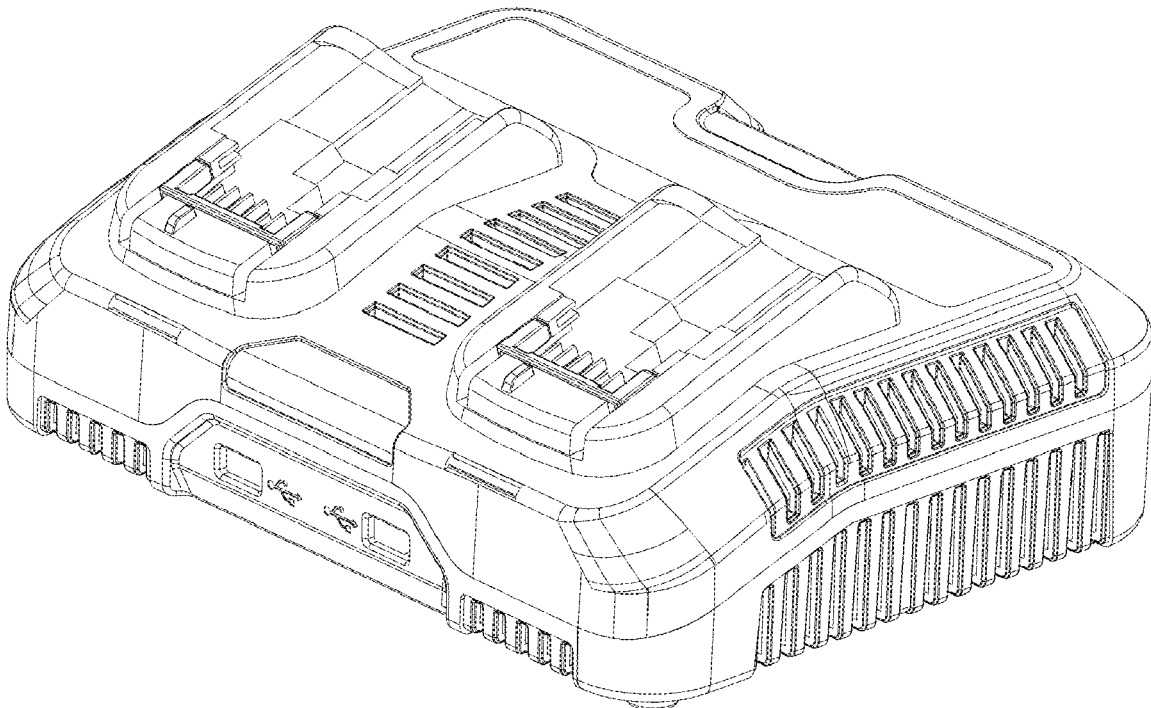
**U.S. PATENT DOCUMENTS**

D327,247	S	*	6/1992	Higuchi	.....	D13/108
D328,450	S	*	8/1992	Watanabe	.....	D13/108
D349,485	S	*	8/1994	Richards	.....	D13/107
D408,352	S	*	4/1999	Tashiro	.....	D13/107
D462,657	S	*	9/2002	Kaneko	.....	D13/107
D487,570	S	*	3/2004	Ito	.....	D13/107
D505,913	S	*	6/2005	Kam Lun	.....	D13/107
D506,972	S	*	7/2005	Parel	.....	D13/107
D507,234	S	*	7/2005	Heun	.....	D13/107
D507,525	S	*	7/2005	Heun	.....	D13/107
D548,687	S	*	8/2007	Okuda	.....	D13/107
D573,089	S	*	7/2008	Mandel	.....	D13/107

**DESCRIPTION**

FIG. 1 is a front elevational view of a charger showing my new design;  
 FIG. 2 is a left side view thereof;  
 FIG. 3 is a right side view thereof;  
 FIG. 4 is a top plan view thereof;  
 FIG. 5 is a bottom plan view thereof;  
 FIG. 6 is a perspective view thereof; and,  
 FIG. 7 is another perspective view thereof.

**1 Claim, 7 Drawing Sheets**



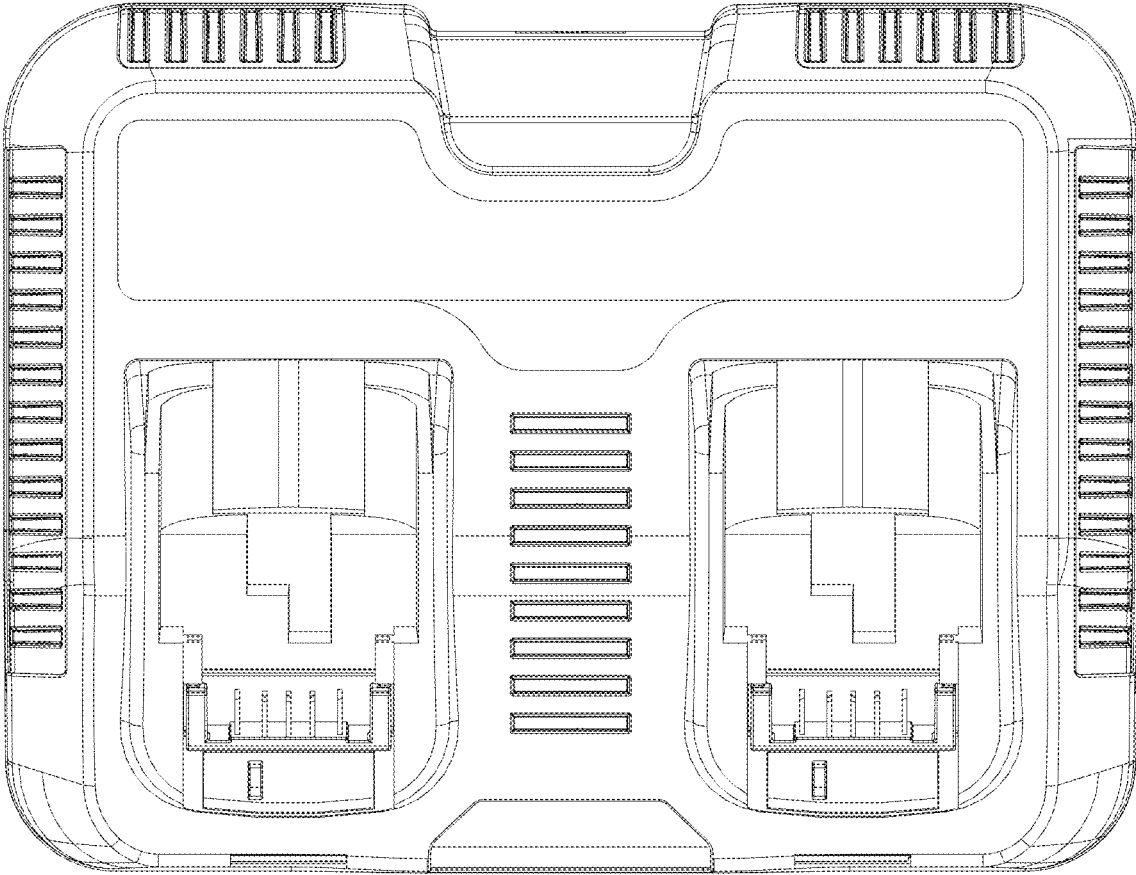


FIG. 1

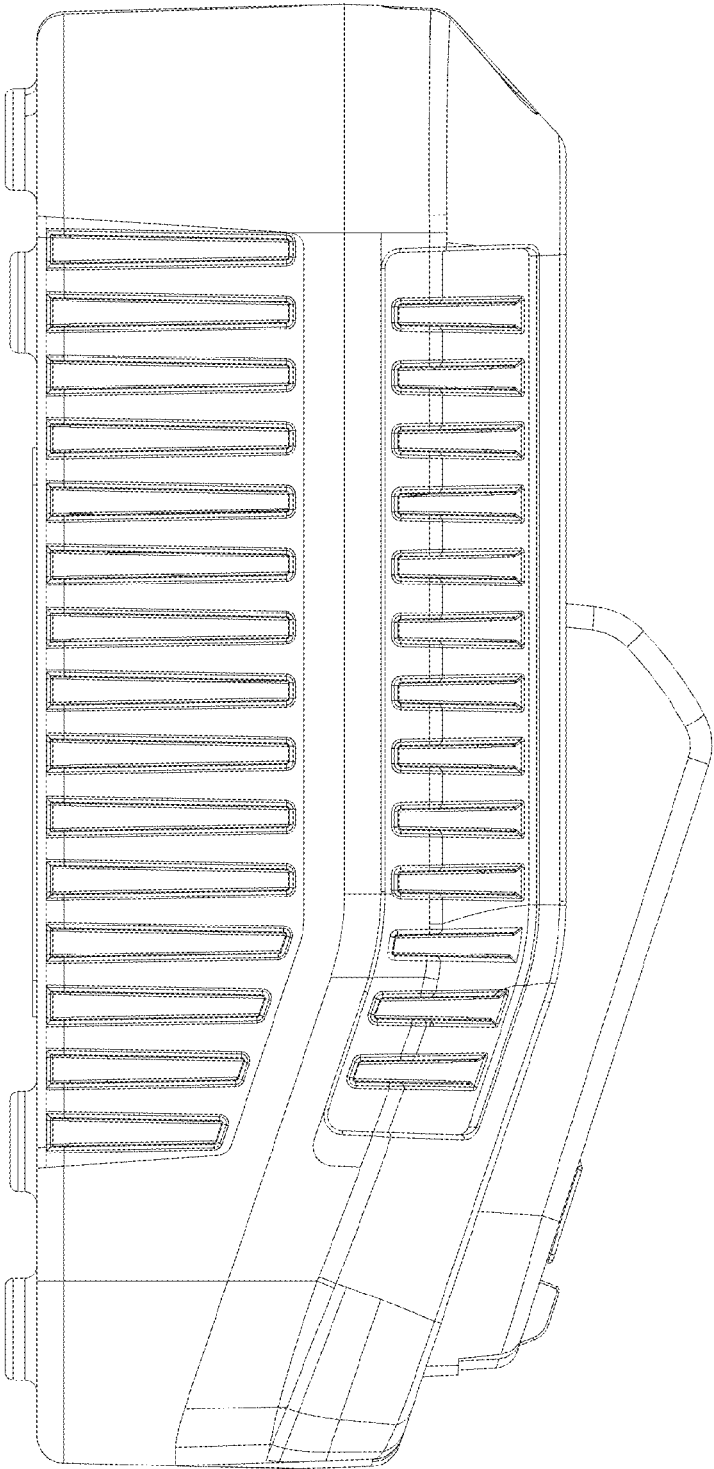


FIG. 2

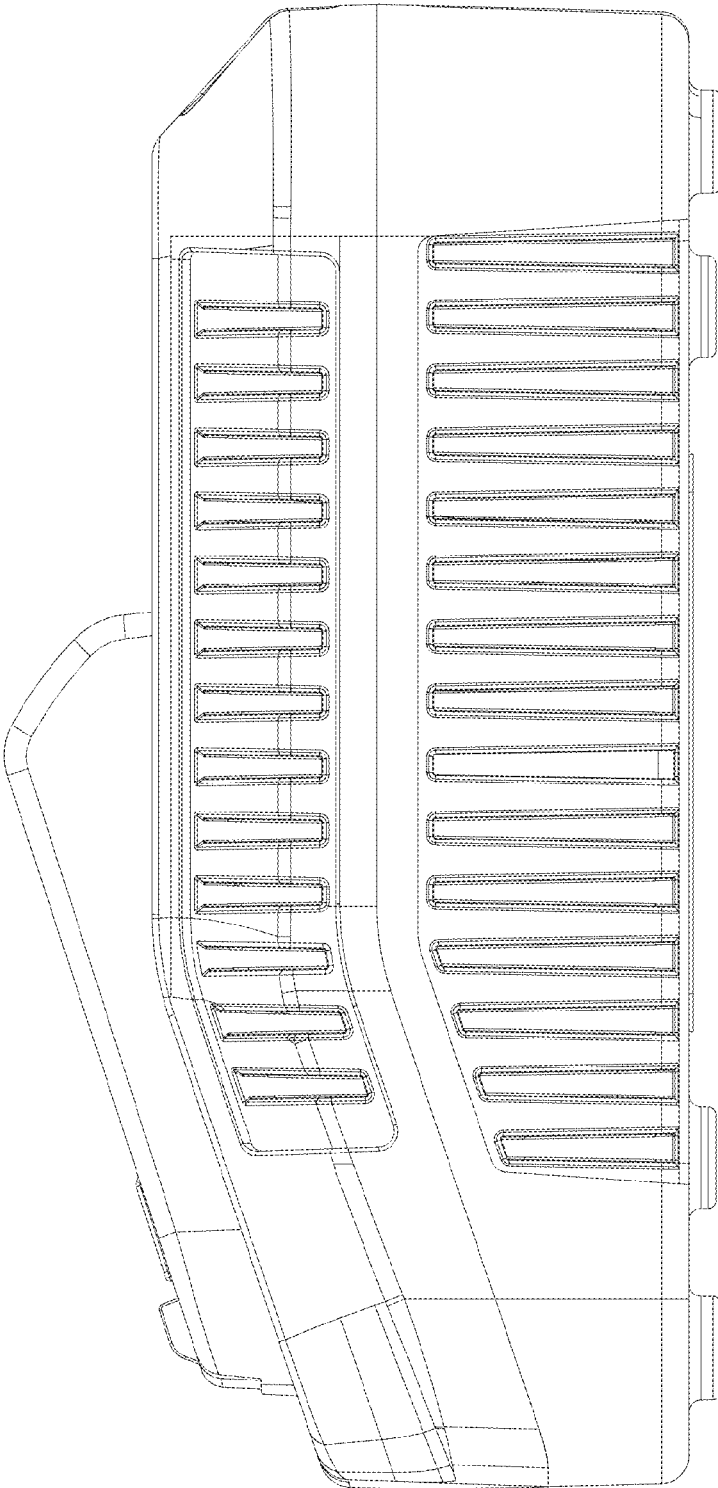


FIG. 3

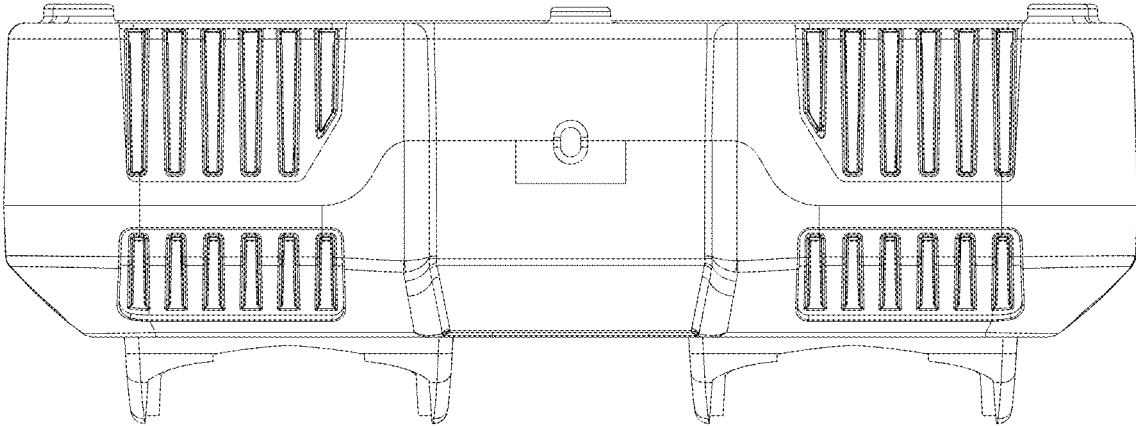


FIG. 4

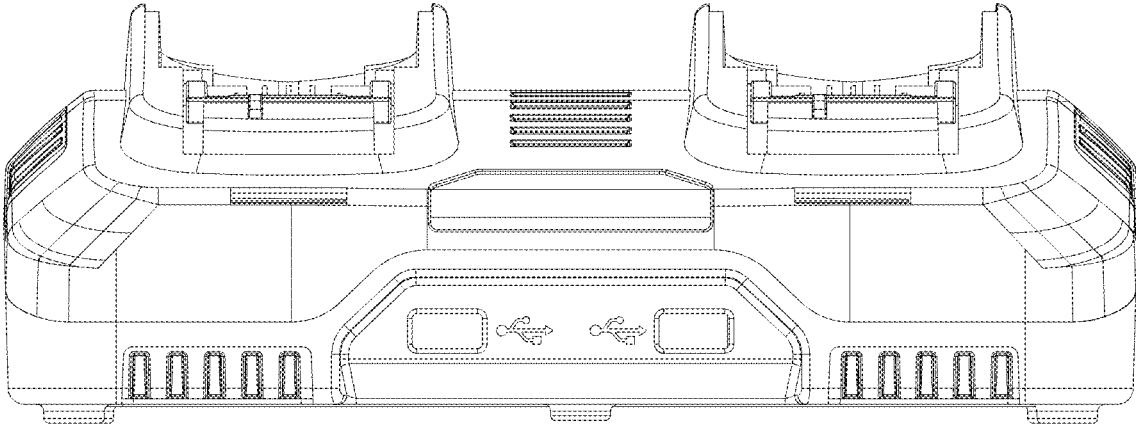


FIG. 5

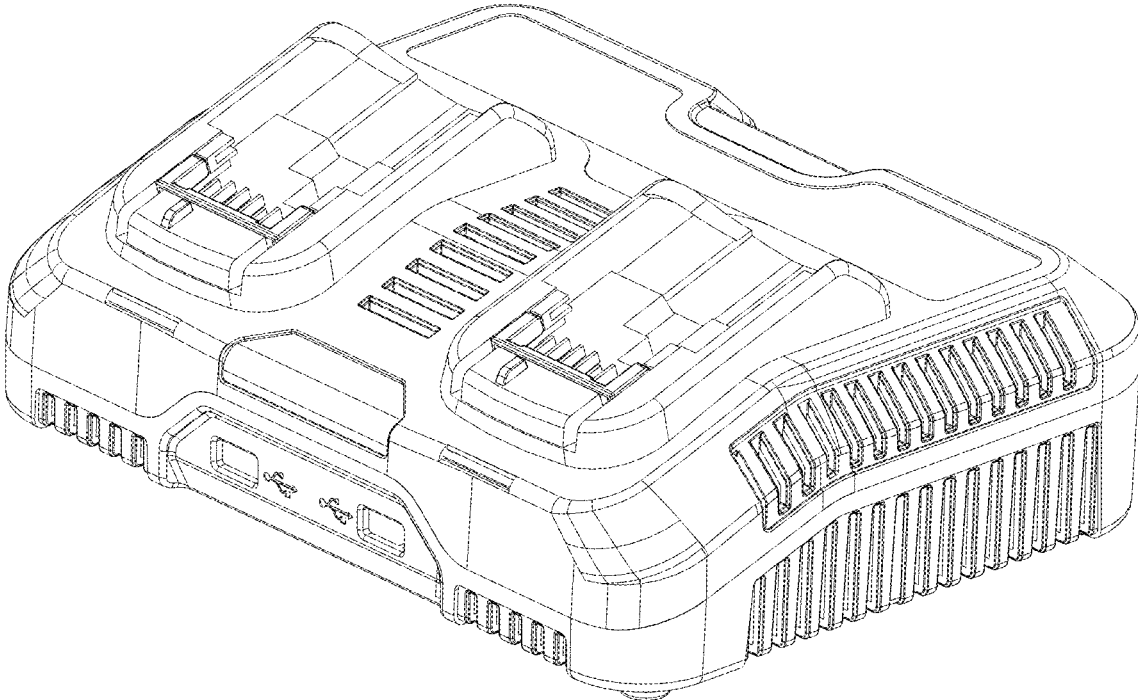


FIG. 6

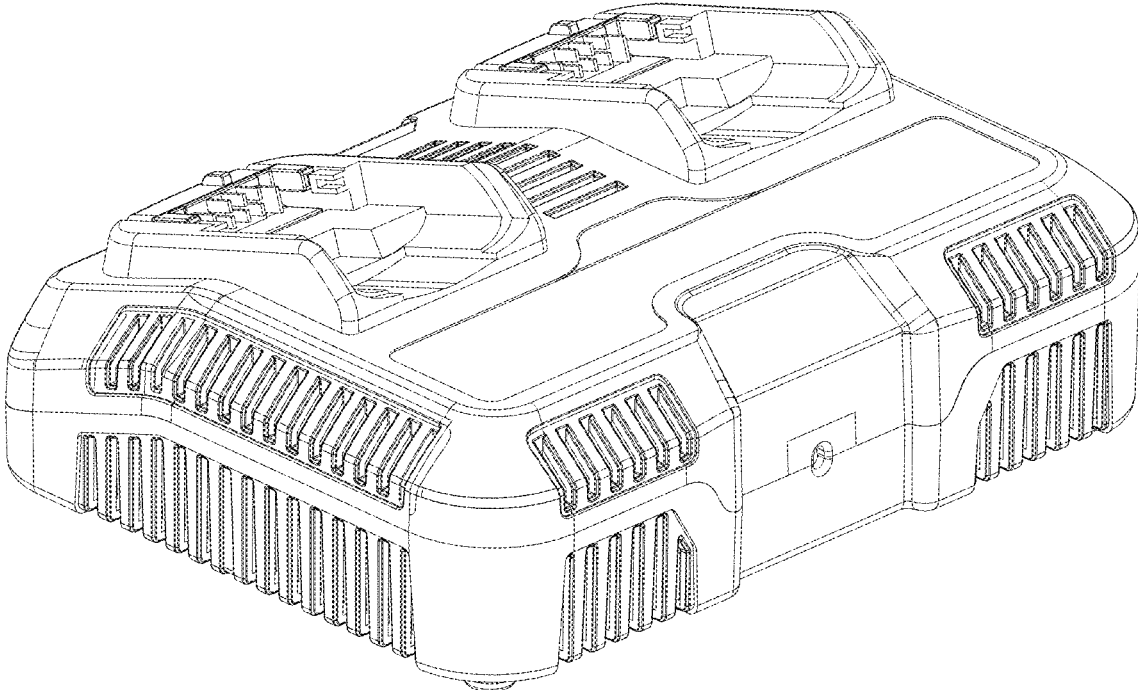


FIG. 7