



US0D1007653S

(12) **United States Design Patent**
Yang

(10) **Patent No.:** **US D1,007,653 S**

(45) **Date of Patent:** **** Dec. 12, 2023**

(54) **FAUCET**

(71) Applicant: **Globe Union Industrial Corp.,**
Taichung (TW)

(72) Inventor: **Yu-Chien Yang,** Taichung (TW)

(73) Assignee: **Globe Union Industrial Corp.,**
Taichung (TW)

(**) Term: **15 Years**

(21) Appl. No.: **29/766,228**

(22) Filed: **Jan. 14, 2021**

(51) **LOC (14) Cl.** **23-01**

(52) **U.S. Cl.**
USPC **D23/242**

(58) **Field of Classification Search**
USPC D23/238, 239, 240, 241, 242, 246, 247,
D23/249, 250, 251, 252, 253, 254, 255,
D23/256, 257
CPC E03C 1/00; E03C 1/01; E03C 1/02; E03C
1/023; E03C 1/04; E03C 1/0401; E03C
1/0403; E03C 1/0404; E03C 1/0405;
E03C 1/0412; E03C 1/05; E03C 1/042;
F16K 31/60
See application file for complete search history.

(56) **References Cited**

U.S. PATENT DOCUMENTS

D550,812 S *	9/2007	Haug	D23/238
D579,528 S *	10/2008	Citterio	D23/252
D608,863 S *	1/2010	Pan	D23/255
D615,162 S *	5/2010	Pan	D23/255
D621,478 S *	8/2010	Kulig	D23/242
D625,393 S *	10/2010	Sieger	D23/242
D640,350 S *	6/2011	Schoenherr	D23/252
D662,182 S *	6/2012	Thun	D23/238

D662,188 S *	6/2012	Thun	D23/242
D796,636 S *	9/2017	Downey	D23/238
D796,643 S *	9/2017	Downey	D23/255
D799,644 S *	10/2017	Sieger	D23/242
D961,051 S *	8/2022	Zeng	D23/241
D965,111 S *	9/2022	Kulig	D23/242
D970,699 S *	11/2022	Wang	D23/241
D982,138 S *	3/2023	Kulig	D23/242

OTHER PUBLICATIONS

Amazon, Gerber Tribune Centerset Lavatory Faucet, posted Feb. 22, 2023, [online], [visited May 30, 2023]. Internet, <URL: <https://www.amazon.com/Tribune-Centerset-Lavatory-Faucet-Pop-Up/dp/B0BWL4LLMS/ref>> (Year: 2023).*

(Continued)

Primary Examiner — Samantha Wood

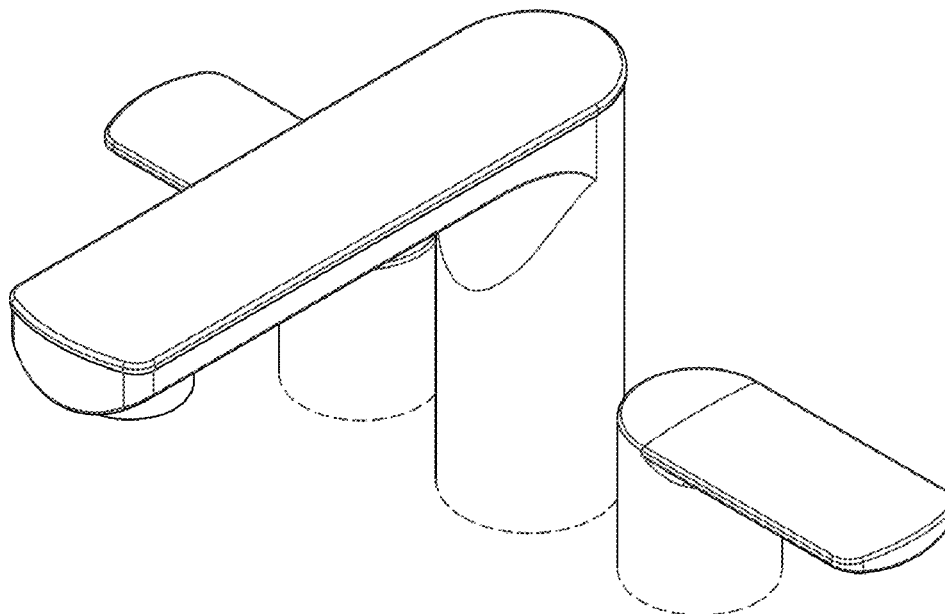
(57) **CLAIM**

The ornamental design for a faucet, as shown and described.

DESCRIPTION

FIG. 1 is a perspective view of a faucet showing my new design;
FIG. 2 is a front elevational view thereof;
FIG. 3 is a rear elevational view thereof;
FIG. 4 is a left side elevational view thereof;
FIG. 5 is a right side elevational view thereof;
FIG. 6 is a top plan view thereof; and,
FIG. 7 is a bottom plan view thereof.
The ornamental design which is claimed is shown in solid lines in the drawings. The broken lines are included for the purpose of illustrating portions of the faucet that form no part of the claimed design. Broken lines formed of unequal length dashes (i.e., dash-dot) define bounds of the claimed design.

1 Claim, 7 Drawing Sheets



(56)

References Cited

OTHER PUBLICATIONS

Amazon, Moen Rizon Chrome Two-Handle Widespread Bathroom Faucet, posted Aug. 30, 2013, [online], [visited Jun. 3, 2023]. Internet, <URL: https://www.amazon.com/dp/B00EW07LPG/ref=sbl_dp_x_home-improvement-bath-bathroom-faucets_B0BWL4LLMS_0> (Year: 2013).*

Amazon, Symmons SLW-6712-1.0 Identity Widespread 2-Handle Bathroom Faucet, posted Oct. 20, 2016, [online], [visited Jun. 3, 2023]. Internet, <URL: https://www.amazon.com/dp/B01LZ0LGYG/ref=sbl_dp_x_home-improvement-bath-bathroom-faucets_B0BWL4LLMS_0?th=1> (Year: 2016).*

Amazon, Grohe Europlus S-Size Widespread 2-Handle Bathroom Faucet, posted Dec. 12, 2015, [online], [visited Jun. 3, 2023]. Internet, <URL: https://www.amazon.com/dp/B0199MYE18/ref=sbl_dp_x_home-improvement-bath-bathroom-faucets_B01LZ0LGYG_0?th=1> (Year: 2015).*

* cited by examiner

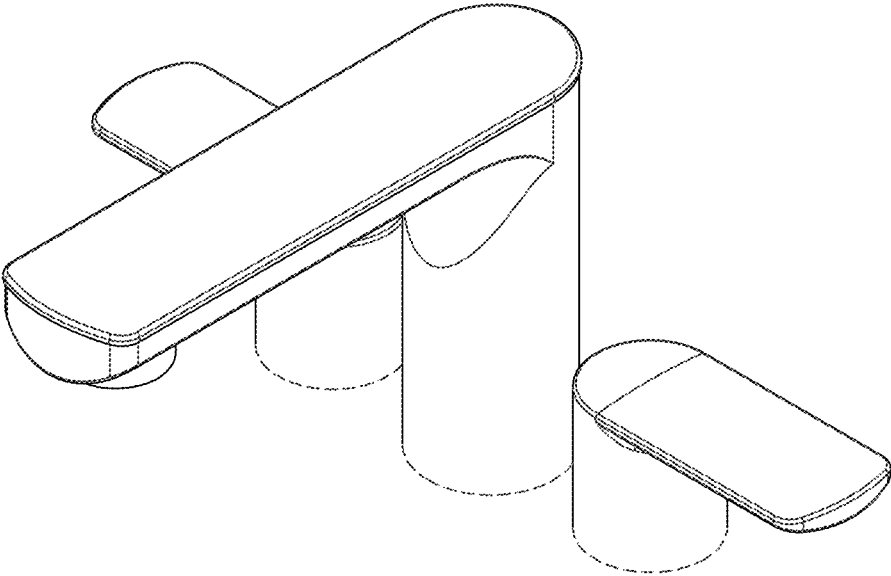


FIG. 1

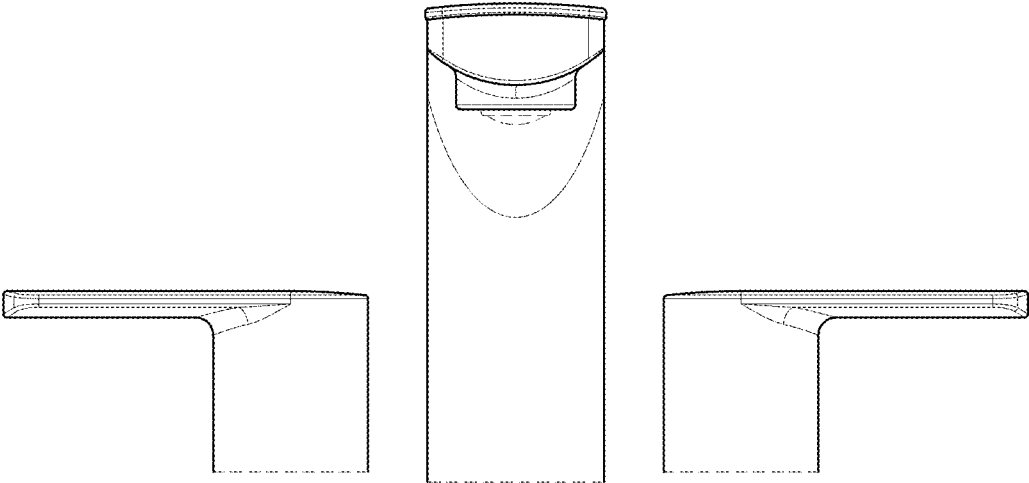


FIG. 2

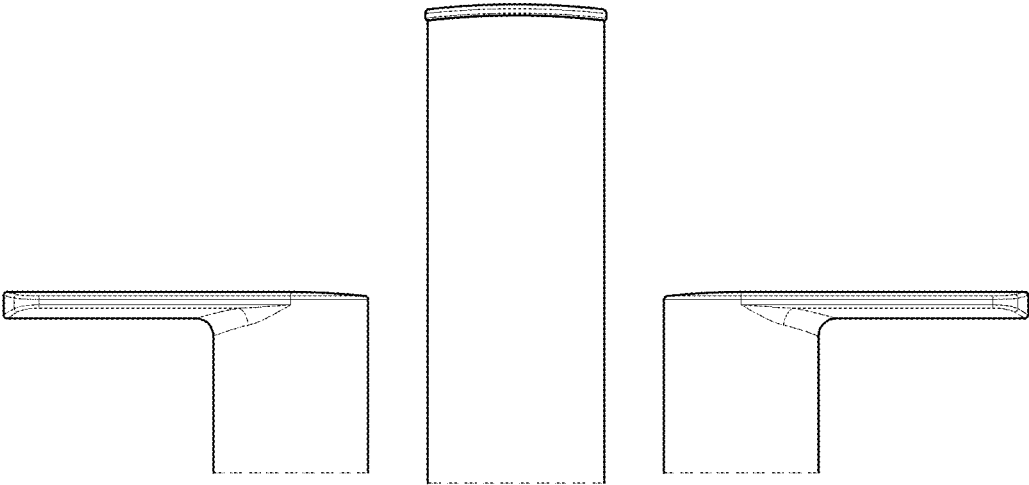


FIG. 3

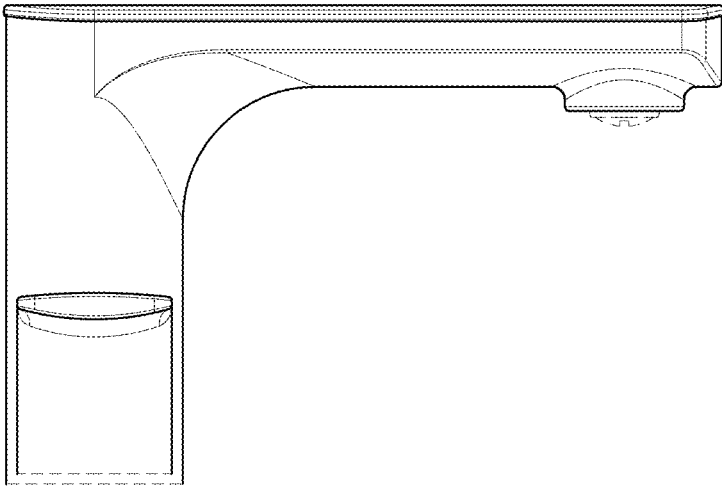


FIG. 4

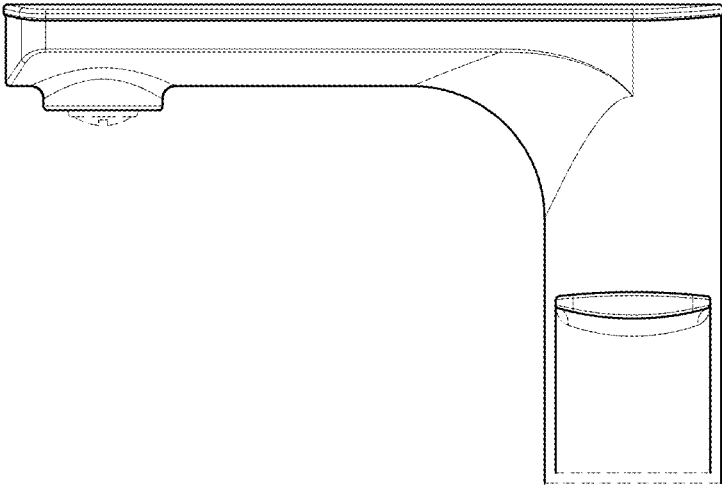


FIG. 5

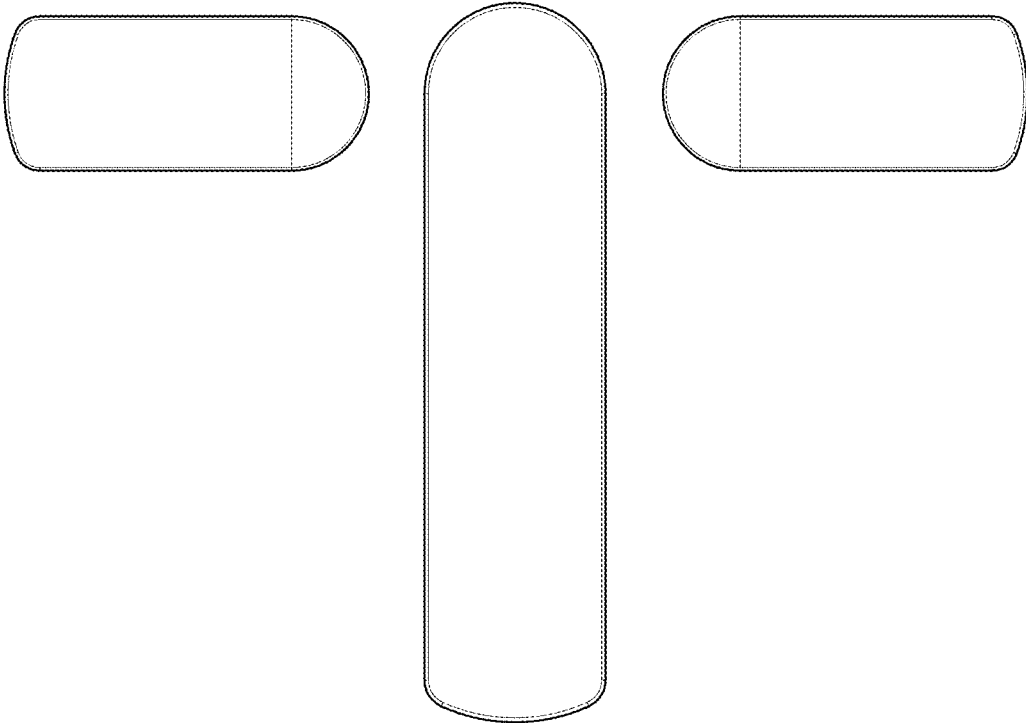


FIG. 6

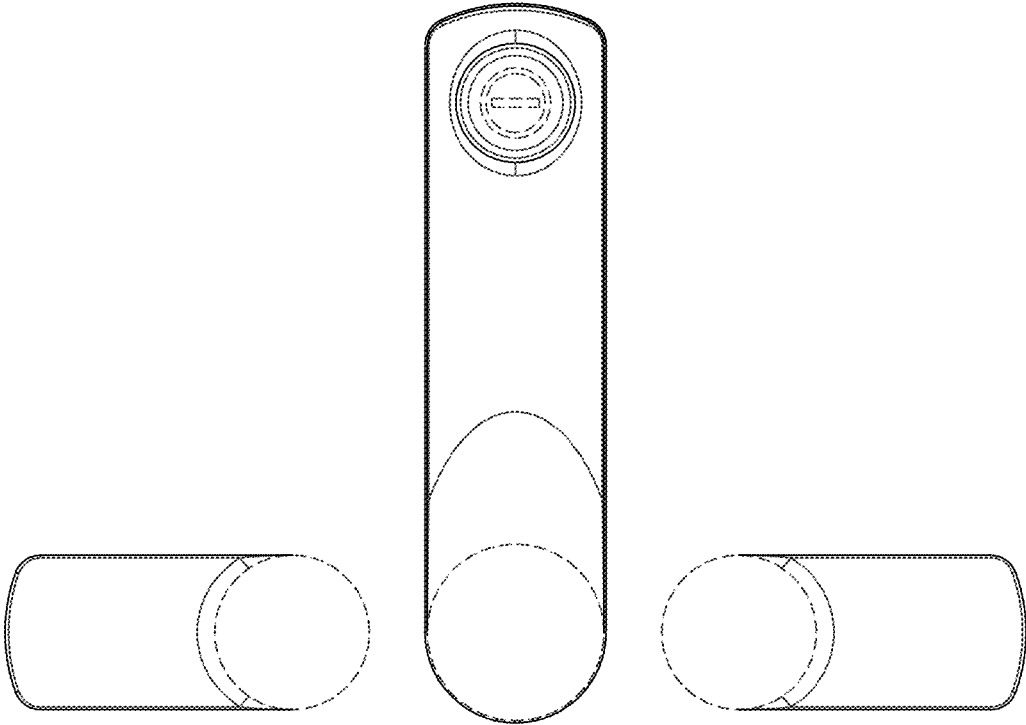


FIG. 7