

[54] BEVERAGE COOLER AND DISPENSING TRAILER

[76] Inventor: Christopher Kappos, Cambridge, Iowa 50046

[**] Term: 14 Years

[21] Appl. No.: 942,409

[22] Filed: Sep. 14, 1978

[51] Int. Cl. D12-10

[52] U.S. Cl. D12/102; D15/79; D15/112

[58] Field of Search D12/22, 102; D15/112, D15/111, 81, 79; 296/22; 312/236

[56] References Cited

U.S. PATENT DOCUMENTS

D. 145,452 8/1946 Lewis 296/22
D. 146,131 12/1946 Chambers D12/22

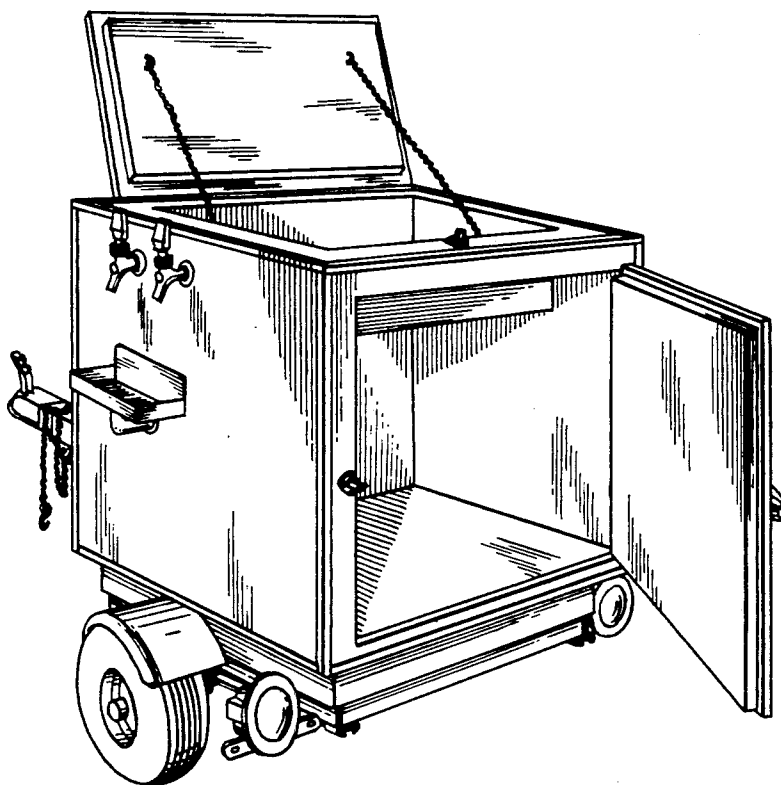
Primary Examiner—James M. Gandy
Attorney, Agent, or Firm—Morton S. Adler

[57] CLAIM

The ornamental design for a beverage cooler and dispensing trailer, as shown and described.

DESCRIPTION

FIG. 1 is a perspective rear view of a beverage cooler and dispensing trailer showing my new design, FIG. 2 is a perspective rear view thereof with the top and rear doors in open condition, FIG. 3 is an enlarged top plan view thereof, FIG. 4 is an enlarged rear elevational view thereof, FIG. 5 is an enlarged front elevational view thereof, FIG. 6 is an enlarged side elevational view thereof, FIG. 7 is an enlarged bottom plan view thereof, FIG. 8 is an enlarged side elevational view thereof opposite to that shown in FIG. 6, and FIG. 9 is a perspective rear view of a beverage cooler and dispensing trailer showing a second embodiment of my new design; and FIG. 10 is a perspective rear view of a beverage cooler and dispensing trailer showing a third embodiment of my new design it being understood that the third embodiment differs from the second embodiment in that the housing is rectangular in shape. The undisclosed side and front of the second and third embodiments of the trailer are understood to be identical to the side and front of the first embodiment shown in FIGS. 5 and 6 respectively.



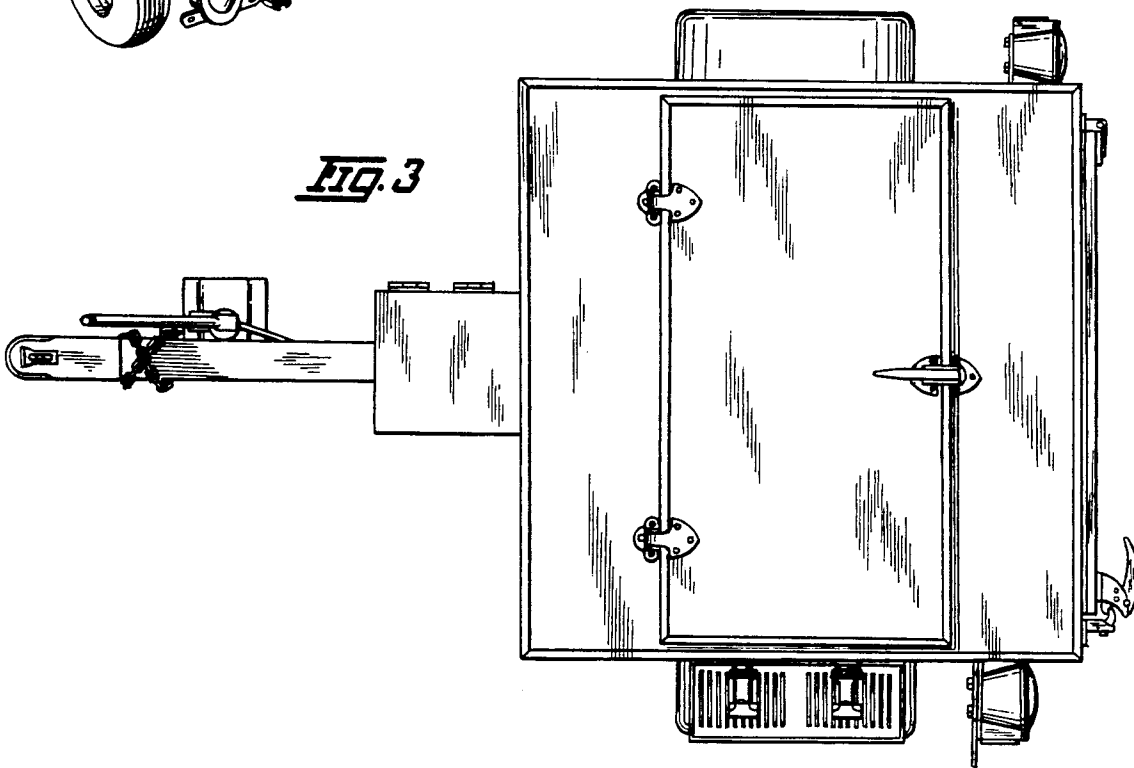
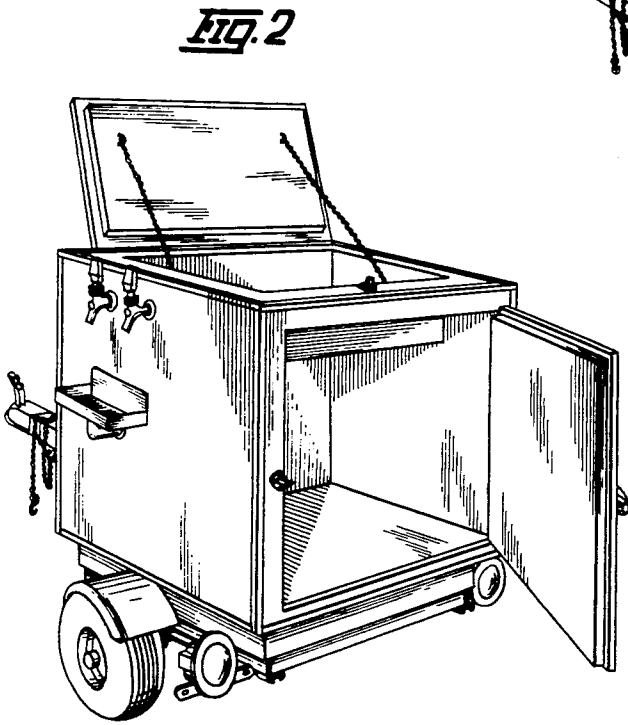
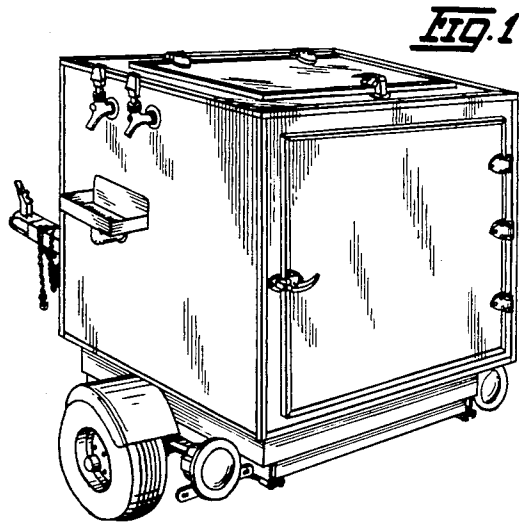


FIG. 5

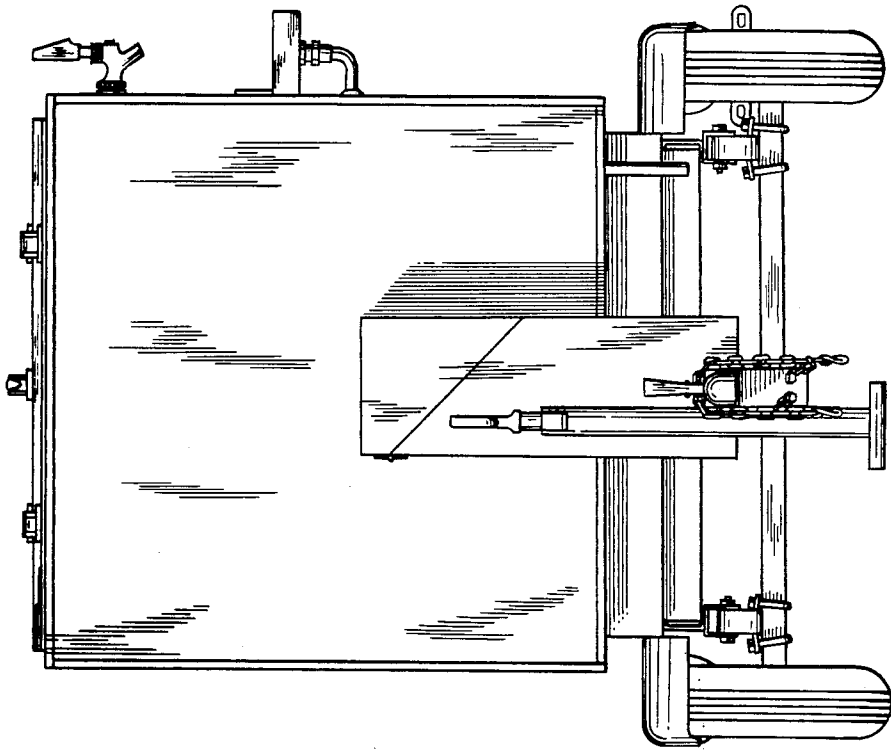


FIG. 4

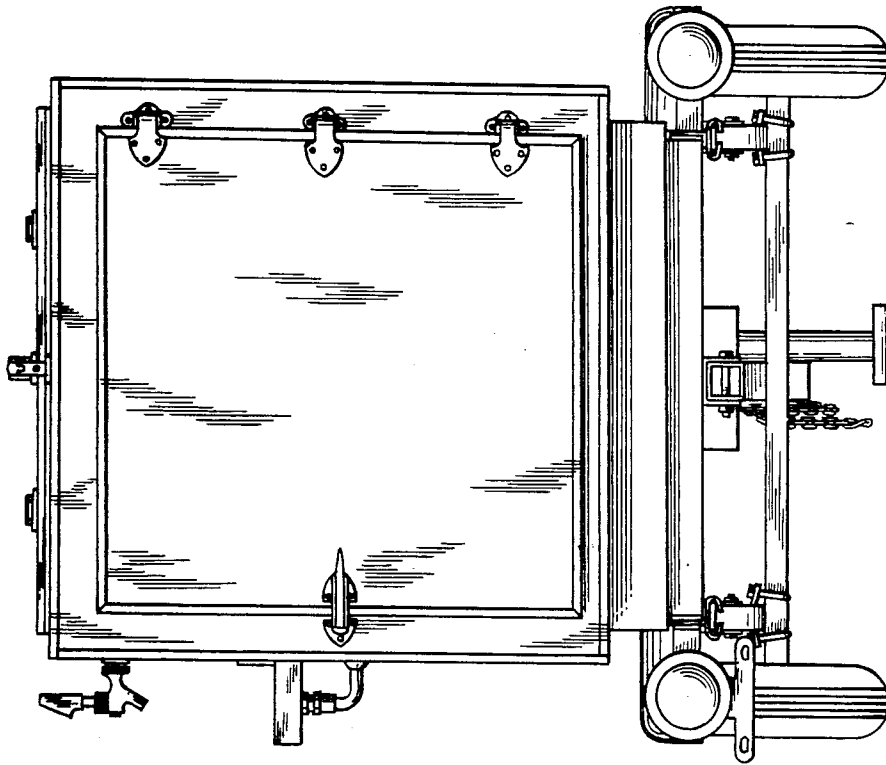


FIG. 6

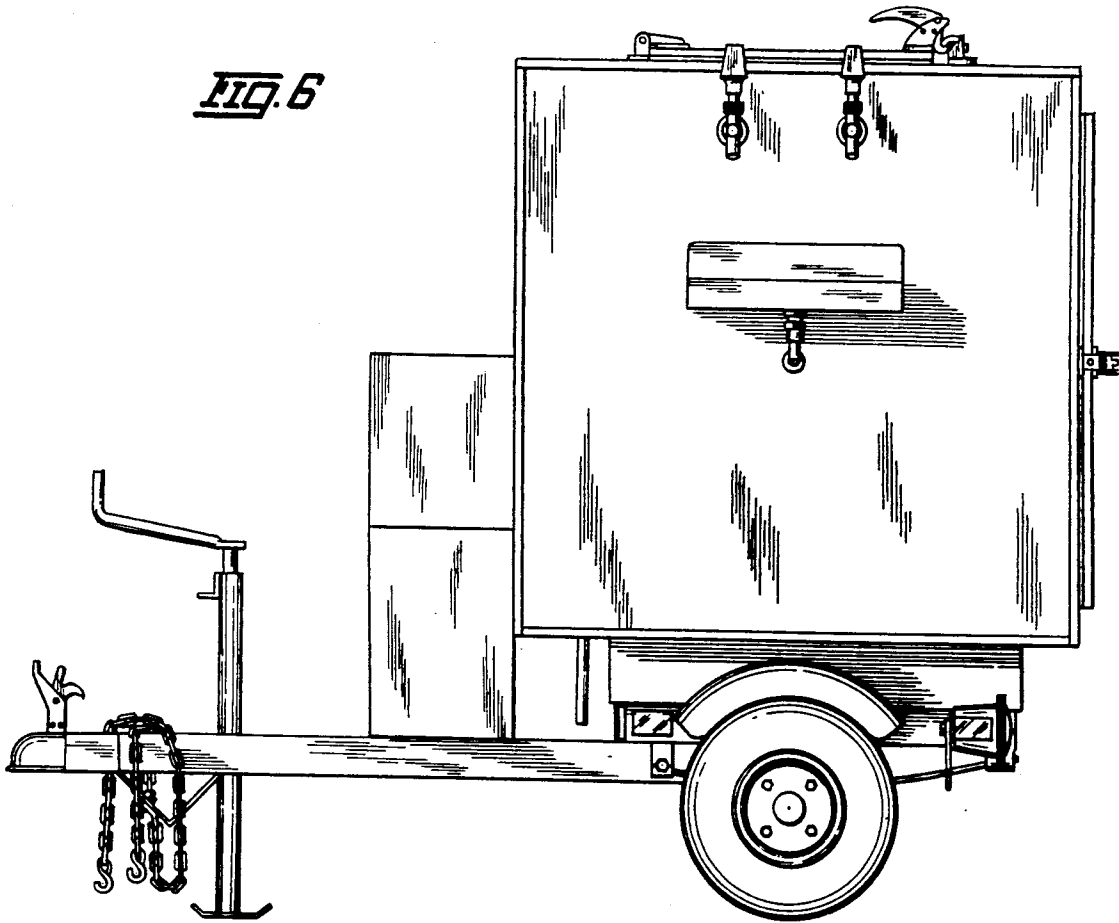
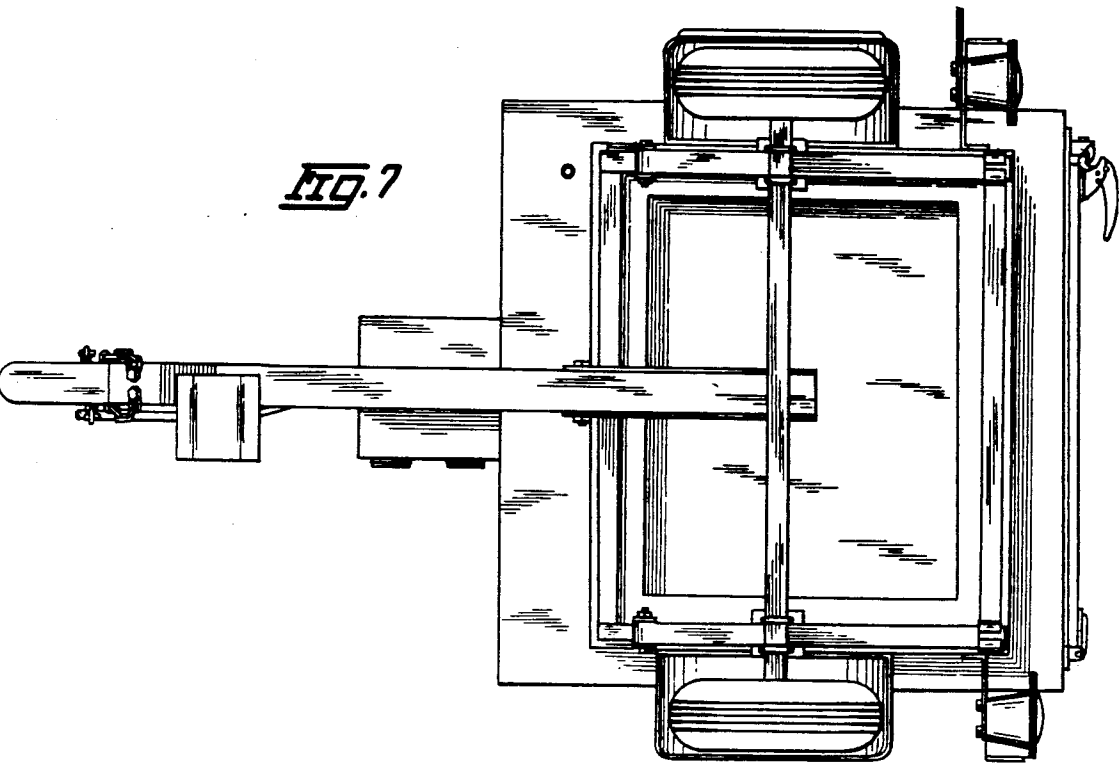


FIG. 7



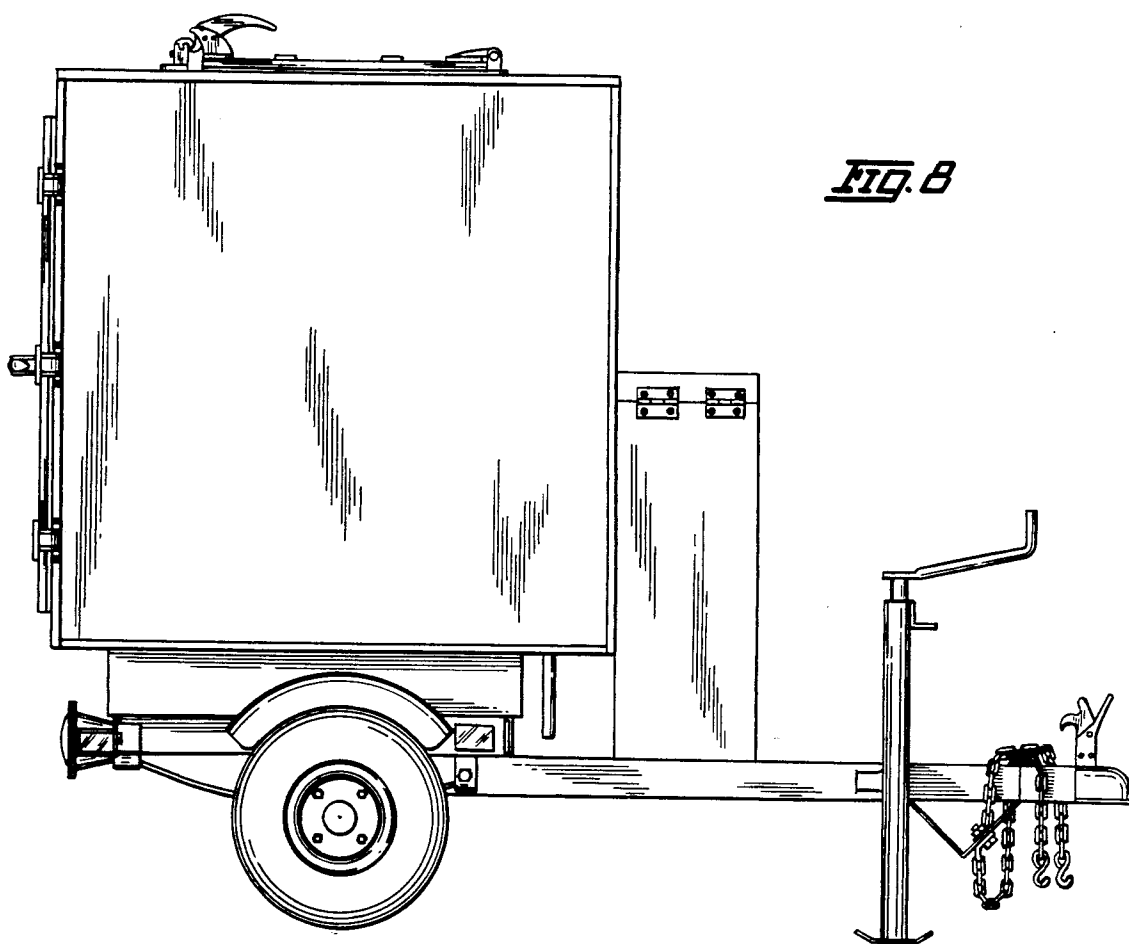


FIG. 9

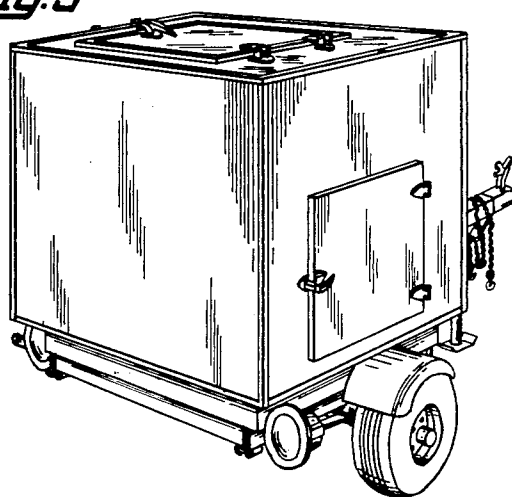


FIG. 10

