



US00D756234S

(12) **United States Design Patent**
Orset

(10) **Patent No.:** **US D756,234 S**

(45) **Date of Patent:** **** May 17, 2016**

(54) **BOTTLE WITH CAP**

(71) Applicant: **CELGENE CORPORATION**, Summit, NJ (US)

(72) Inventor: **Frederic Eugene Lucien Orset**, Habere-Lullin (FR)

(73) Assignee: **Celgene Corporation**, Summit, NJ (US)

(**) Term: **14 Years**

(21) Appl. No.: **29/502,019**

(22) Filed: **Sep. 10, 2014**

(51) **LOC (10) Cl.** **09-01**

(52) **U.S. Cl.**
USPC **D9/560**

(58) **Field of Classification Search**

USPC D9/516-575, 434-436, 442, 452-454, D9/682, 693, 694
CPC B65D 1/02; B65D 1/0207; B65D 1/0215; B65D 1/0223; B65D 1/023; B65D 1/0246; B65D 1/0253; B65D 1/0261; B65D 1/0276; B65D 1/08; B65D 1/09; B65D 1/10; B65D 1/40; B65D 1/42; B65D 1/44; B65D 41/00; B65D 41/04; B65D 41/0428; B65D 41/0471; B65D 41/06; B65D 41/0485; B65D 41/08; B65D 50/00; B65D 50/02; B65D 50/04; B65D 50/041; B65D 50/043; B65D 50/045; B65D 50/046; B65D 50/048; B65D 50/06; B65D 50/061; B65D 50/062; B65D 50/063; B65D 50/064; B65D 50/065; B65D 50/066; B65D 50/067; B65D 50/068; B65D 50/069; B65D 2215/00; B65D 2215/02; B65D 2251/023; B65D 2501/00; B65D 2501/0027; B65D 2501/0045; B65D 2501/0081; B65D 2585/56; B65D 41/34; B65D 41/3409; B65D 41/3447; B65D 41/045; B65D 41/3428; B65D 41/3442; B65D 2101/0038

See application file for complete search history.

(56) **References Cited**

U.S. PATENT DOCUMENTS

D25,354 S 4/1896 Smalley
D25,355 S 4/1896 Smalley
D31,179 S 7/1899 Low
D81,633 S 7/1930 Wagner

(Continued)

FOREIGN PATENT DOCUMENTS

FR 090080-0002 7/2009
GB 1019449 11/1984

(Continued)

OTHER PUBLICATIONS

U.S. Appl. No. 29/502,015, filed Sep. 10, 2014, Orset.

(Continued)

Primary Examiner — Catherine Tuttle

(74) *Attorney, Agent, or Firm* — Jones Day

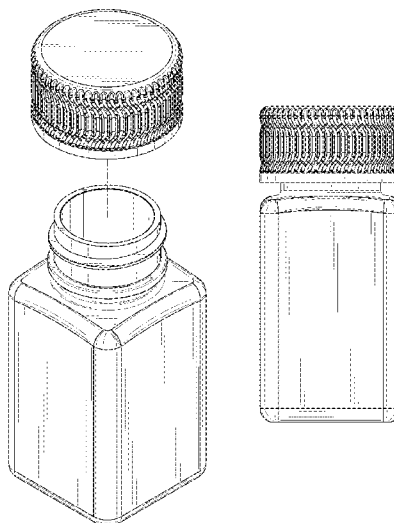
(57) **CLAIM**

The ornamental design for a bottle with cap, as shown and described.

DESCRIPTION

FIG. 1 is an exploded top, first side and second side perspective view of a bottle with cap showing my new design; FIG. 2 is a top, first side and second side perspective view thereof; FIG. 3 is a bottom, first side and second side perspective view thereof; FIG. 4 is a first side elevational view thereof; FIG. 5 is a second side elevational view thereof; FIG. 6 is a third side elevational view thereof; FIG. 7 is a fourth side elevational view thereof; FIG. 8 is a top plan view thereof; and, FIG. 9 is a bottom plan view thereof.

1 Claim, 4 Drawing Sheets



(56)

References Cited

U.S. PATENT DOCUMENTS

D111,253 S	4/1937	Grasty		D503,886 S	4/2005	Biesecker	
D143,657 S	8/1945	Graham		D510,523 S	10/2005	Pitman et al.	
D145,661 S *	10/1946	Derham	D8/DIG. 2	D511,457 S	11/2005	Biesecker et al.	
3,027,035 A *	3/1962	Farago	B65D 50/041 215/219	D512,912 S	12/2005	Biesecker et al.	
3,437,194 A	4/1969	Ames et al.		D513,585 S	1/2006	Biesecker et al.	
D214,877 S	8/1969	Biallo et al.		D513,587 S	1/2006	Forte	
3,924,772 A *	12/1975	Magnani	B65D 51/145 215/276	D518,716 S	4/2006	Mallet	
4,059,198 A	11/1977	Mumford		D519,373 S	4/2006	Pitman et al.	
D259,173 S	5/1981	Lauren		D523,755 S	6/2006	Considine et al.	
D259,179 S *	5/1981	Welch	D9/453	D526,206 S	8/2006	Varlet	
4,285,437 A *	8/1981	Morris	B65D 50/068 215/206	D527,646 S	9/2006	Cornet et al.	
D264,941 S	6/1982	Stock		D537,727 S	3/2007	Hutton	
D267,076 S	11/1982	Hurtig		D539,662 S	4/2007	Sanchez Lascaux	
D269,067 S	5/1983	Ballereaud		D546,181 S	7/2007	Biesecker et al.	
D270,331 S	8/1983	Benson		D548,101 S	8/2007	Elgebrant	
D274,220 S	6/1984	Biesecker		D548,103 S *	8/2007	Waldner	D9/560
D274,221 S	6/1984	Biesecker		D548,607 S	8/2007	Langbein et al.	
4,457,437 A *	7/1984	Heath, Jr.	B65D 41/3409 215/206	D573,022 S	7/2008	Berman	
4,527,702 A *	7/1985	Heath, Jr.	B65D 41/3409 215/225	7,401,706 B2 *	7/2008	Shingle	B65D 50/046 215/213
D280,601 S	9/1985	Biesecker		D574,240 S	8/2008	Szczesniak	
D282,910 S	3/1986	Biesecker		D577,292 S	9/2008	Moretti	
D287,340 S	12/1986	Dinand		D577,599 S	9/2008	Moretti	
4,749,095 A	6/1988	Rote		D579,784 S	11/2008	Varlet	
D311,681 S	10/1990	Aggarwal		D580,773 S	11/2008	Rica	
D313,176 S *	12/1990	Okuda	D9/501	D581,800 S	12/2008	Rica	
D315,507 S	3/1991	Ochs		7,461,755 B2 *	12/2008	Manera	B65D 1/023 215/343
5,090,788 A	2/1992	Ingram et al.		D586,213 S	2/2009	Wells et al.	
D332,751 S *	1/1993	Pischulti	D9/560	D586,659 S	2/2009	Delbon	
5,184,739 A *	2/1993	Kusz	A61J 7/04 116/308	7,513,377 B1	4/2009	Culley	
5,197,602 A	3/1993	Biesecker et al.		D597,840 S	8/2009	Biesecker et al.	
5,219,507 A	6/1993	Ingram et al.		D601,431 S	10/2009	Serrano Diaz	
5,315,811 A	5/1994	Biesecker et al.		D602,785 S	10/2009	Rothberg et al.	
5,318,183 A	6/1994	Cohen et al.		7,607,547 B2	10/2009	Kumata et al.	
D349,858 S	8/1994	Lonczak et al.		D603,265 S	11/2009	Biesecker	
D357,865 S *	5/1995	Hansen	D9/453	D603,716 S	11/2009	Rica	
D359,682 S	6/1995	Miller		D603,717 S	11/2009	Rica	
D359,907 S	7/1995	Hirsch		D604,174 S	11/2009	Rica	
D359,909 S	7/1995	Hirsch		D606,864 S	12/2009	Robinson	
D359,910 S	7/1995	Hirsch		D611,344 S	3/2010	Longacre	
5,488,888 A	2/1996	Kowal		D611,346 S	3/2010	Camomile	
D368,658 S	4/1996	Hirsch		D613,177 S	4/2010	Lee	
5,524,782 A *	6/1996	Salemi	B65D 55/0854 215/220	D618,099 S	6/2010	Biesecker et al.	
5,544,768 A	8/1996	Gargione		D619,003 S	7/2010	Benoit-Gonin et al.	
5,577,624 A *	11/1996	Berta	B65D 51/242 215/221	D619,473 S	7/2010	Biesecker et al.	
5,626,262 A	5/1997	Fitten et al.		D622,591 S	8/2010	Biesecker et al.	
D382,488 S	8/1997	Ja		D622,601 S	8/2010	Potts	
5,655,687 A	8/1997	Fitten et al.		D623,518 S	9/2010	Camomile	
D392,897 S	3/1998	Biesecker et al.		7,802,690 B2	9/2010	Lohrman et al.	
D397,031 S	8/1998	Fricke		D627,656 S	11/2010	Wendt	
5,803,287 A	9/1998	Kusz		D630,518 S	1/2011	Biesecker et al.	
D399,756 S	10/1998	Lonczak et al.		D634,200 S	3/2011	Taber et al.	
5,950,849 A	9/1999	Ekkert et al.		D635,031 S	3/2011	Themann	
D428,577 S	7/2000	Shanahan		D643,295 S	8/2011	Sadler et al.	
D431,193 S	9/2000	Shanahan		D655,612 S	3/2012	Oge-Nichols	
D432,427 S	10/2000	Shanahan		D657,673 S	4/2012	Biesecker	
D436,538 S	1/2001	Lang		D657,674 S	4/2012	Biesecker	
D437,228 S	2/2001	Collins		8,177,059 B2	5/2012	Gudmundsson	
6,243,936 B1	6/2001	Biesecker et al.		D663,202 S	7/2012	Biesecker et al.	
D451,812 S	12/2001	Colonna de Giovellina		8,209,944 B1 *	7/2012	Miceli	B65D 50/041 215/217
D470,413 S	2/2003	Seidita		8,231,020 B2	7/2012	Taber et al.	
D473,466 S	4/2003	Biesecker		8,251,252 B2 *	8/2012	Giraud	B65D 50/061 215/24
D481,640 S	11/2003	Biesecker		D666,495 S	9/2012	Biesecker et al.	
6,739,466 B1	5/2004	Culley		D674,697 S	1/2013	Biesecker et al.	
6,766,916 B2	7/2004	Ma		D681,466 S	5/2013	Cox et al.	
D494,476 S	8/2004	Cwynar-Laska et al.		D684,470 S	6/2013	Concin et al.	
D495,599 S	9/2004	Biesecker		D691,046 S	10/2013	Krause	
6,854,613 B2	2/2005	Biesecker et al.		D691,054 S *	10/2013	Olsson	D9/435
				D691,473 S	10/2013	Smith et al.	
				D691,484 S	10/2013	Fitzgerald	
				D693,694 S	11/2013	Makhsudova	
				D694,120 S	11/2013	Baussion	
				8,590,719 B2	11/2013	Sprishen et al.	
				D696,958 S	1/2014	Rex	
				D698,257 S	1/2014	Gonzalez Rodriguez	
				8,672,158 B2	3/2014	Taber et al.	

(56)

References Cited

U.S. PATENT DOCUMENTS

8,695,821 B2 4/2014 Bashyam
 D705,059 S 5/2014 Hutchison et al.
 D707,555 S 6/2014 Vogel et al.
 D723,919 S 3/2015 Taber et al.
 2003/0136753 A1 7/2003 Biesecker et al.
 2004/0007556 A1* 1/2004 Manera B65D 41/06
 215/332
 2004/0094551 A1* 5/2004 Mavin B29C 66/73115
 220/258.2
 2004/0222181 A1 11/2004 Biesecker et al.
 2005/0109782 A1 5/2005 Biesecker et al.
 2005/0194343 A1 9/2005 Sprishen
 2007/0045320 A1 3/2007 Biesecker et al.
 2008/0067142 A1 3/2008 Druitt
 2008/0197101 A1 8/2008 Rapoport
 2008/0308518 A1 12/2008 Sprishen
 2008/0314900 A1 12/2008 Biesecker et al.
 2009/0014404 A1* 1/2009 Russell B65D 50/041
 215/220
 2009/0212003 A1 8/2009 Gudmundsson
 2009/0266736 A1 10/2009 Sprishen et al.

2011/0017741 A1 1/2011 Sprishen
 2011/0094990 A1 4/2011 Sprishen et al.
 2012/0018401 A1 1/2012 Win
 2012/0138503 A1* 6/2012 Patel B65D 1/0215
 206/524.7
 2012/0228257 A1 9/2012 Rabie
 2012/0325768 A1 12/2012 Biesecker et al.
 2013/0001185 A1 1/2013 Antier et al.
 2014/0158660 A1 6/2014 Wood et al.

FOREIGN PATENT DOCUMENTS

GB 2029253 6/1993
 SE 82661 2/2014
 WO DM/071617 12/2008

OTHER PUBLICATIONS

U.S. Appl. No. 29/540,135, filed Sep. 21, 2015, Orset.
 U.S. Appl. No. 29/540,142, filed Sep. 21, 2015, Orset.
 United States Patent and Trademark Office, Notice of Allowance
 issued in U.S. Appl. No. 29/502,015, mailed Dec. 9, 2015.

* cited by examiner

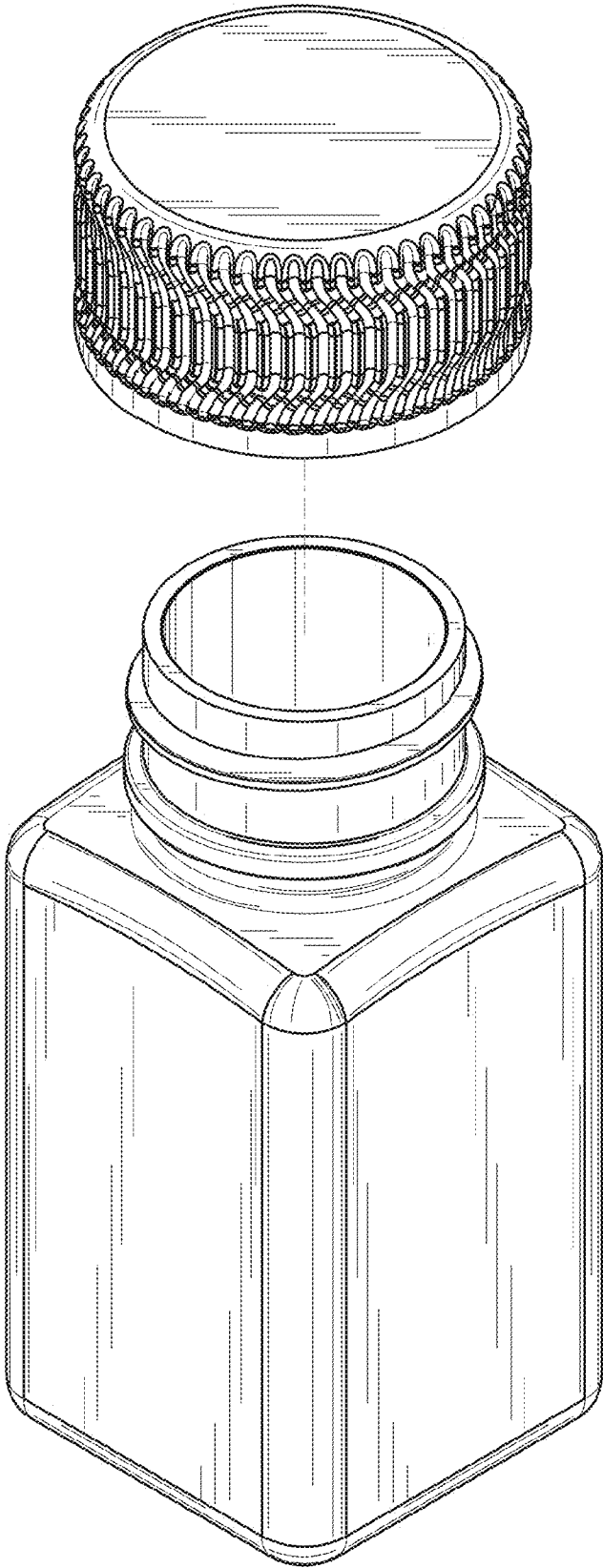


Fig.1

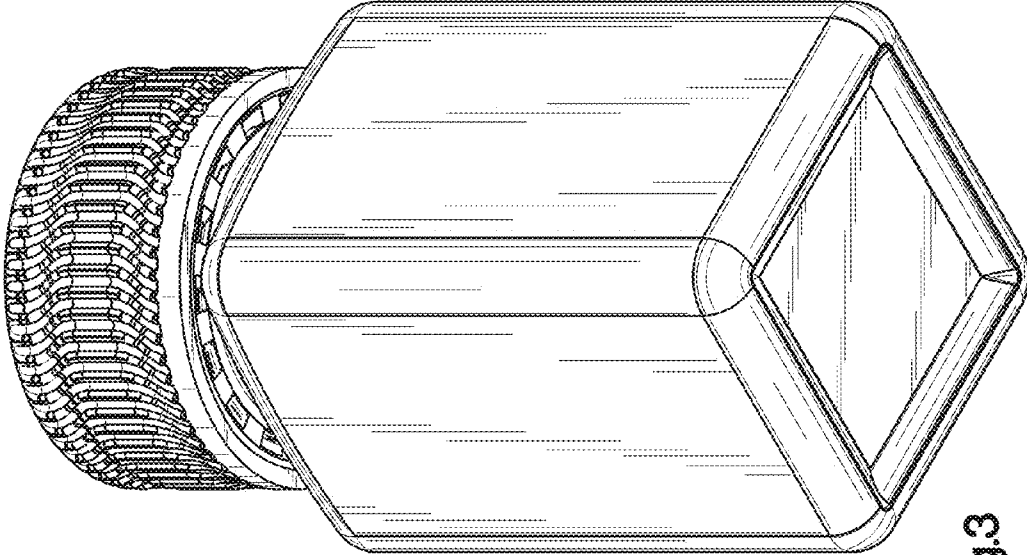


Fig.3

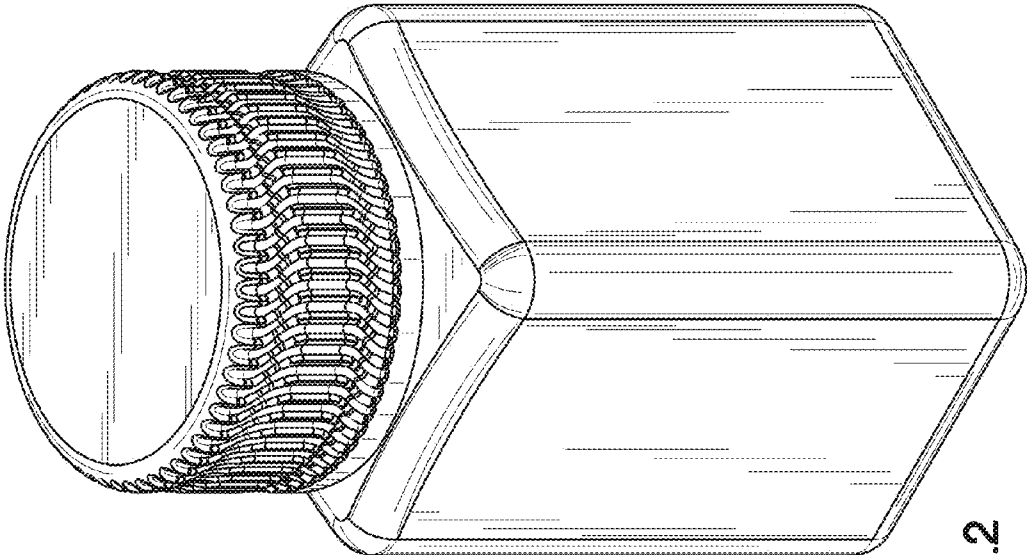


Fig.2

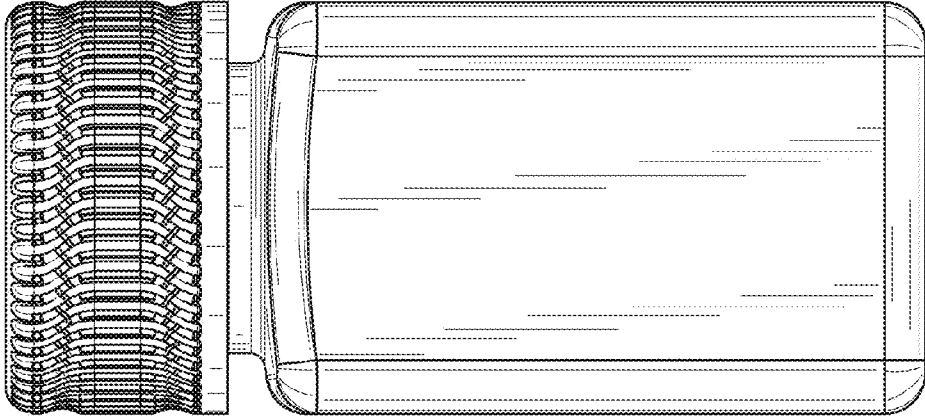


Fig.6

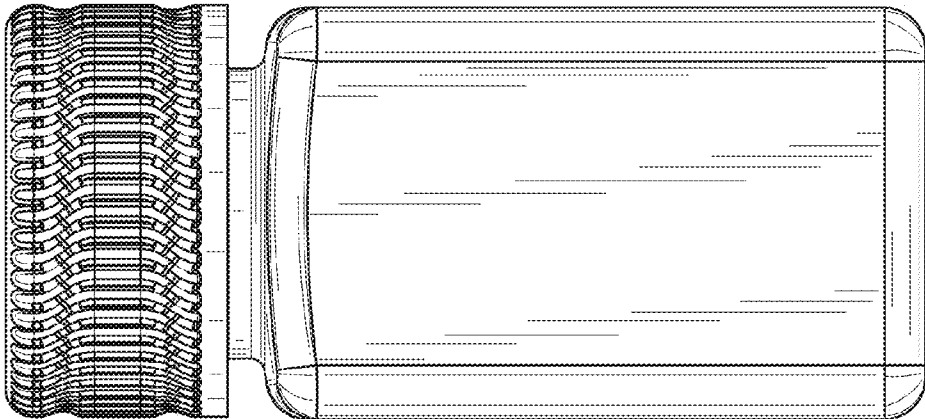


Fig.5

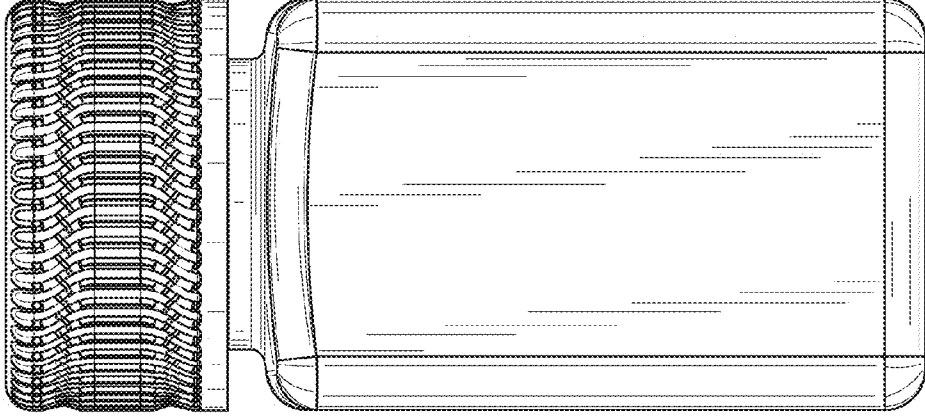


Fig.4

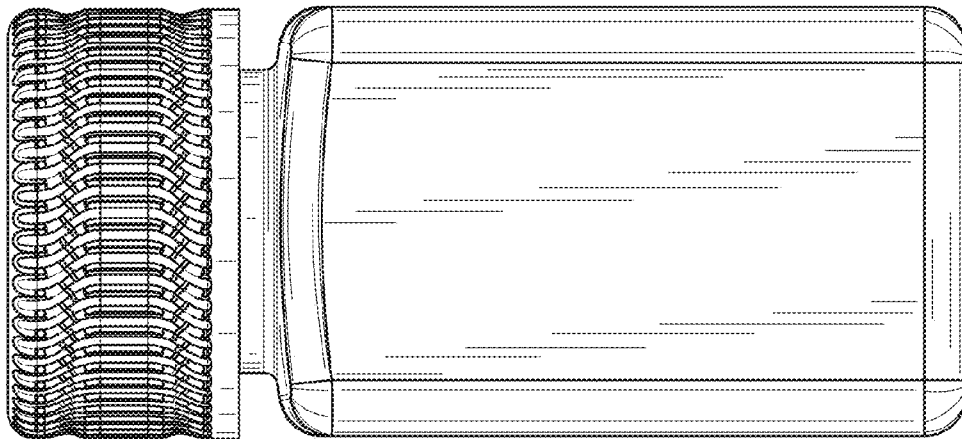


Fig.7

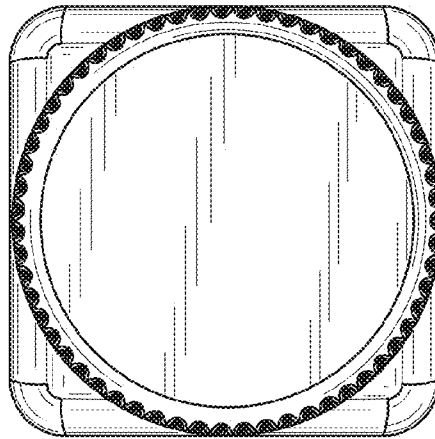


Fig.8

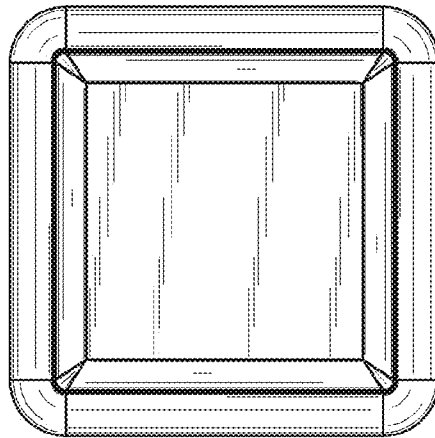


Fig.9