



US00D991689S

(12) **United States Design Patent**
Lu

(10) **Patent No.:** **US D991,689 S**
(45) **Date of Patent:** **** Jul. 11, 2023**

(54) **HAIRDRESSING CHAIR**
(71) Applicant: **Weiping Lu**, Ganzhou (CN)
(72) Inventor: **Weiping Lu**, Ganzhou (CN)
(**) Term: **15 Years**
(21) Appl. No.: **29/753,429**

D188,047 S * 5/1960 Leubner D6/360
3,140,892 A * 7/1964 Shubart A47C 1/06
297/71
D651,423 S * 1/2012 Petruccelli D6/364
D683,154 S * 5/2013 Hoelbl D6/367

FOREIGN PATENT DOCUMENTS

CN ZL2019306594083X 5/2020
* cited by examiner

(22) Filed: **Sep. 30, 2020**
(51) **LOC (14) Cl.** **06-01**
(52) **U.S. Cl.**

Primary Examiner — R. Johnson
(74) *Attorney, Agent, or Firm* — Shumaker, Loop & Kendrick, LLP; S. Alexander Long, Jr.

USPC **D6/360**
(58) **Field of Classification Search**
USPC D6/349, 350, 356, 360, 362, 364, 365,
D6/366, 367, 371, 372, 374, 375, 376,
D6/379, 380, 716, 716.1, 353-355
CPC A47C 1/02; A47C 1/022; A47C 1/024;
A47C 1/032; A47C 1/03255; A47C
1/034; A47C 1/035; A47C 1/04; A47C
1/06; A47C 3/18; A47C 3/20; A47C
3/025; A47C 3/026; A47C 7/18; A47C
7/24; A47C 7/36; A47C 7/46; A47C
9/007; A47C 9/02; A47C 5/04
See application file for complete search history.

(57) **CLAIM**
The ornamental design for a hairdressing chair, as shown and described.

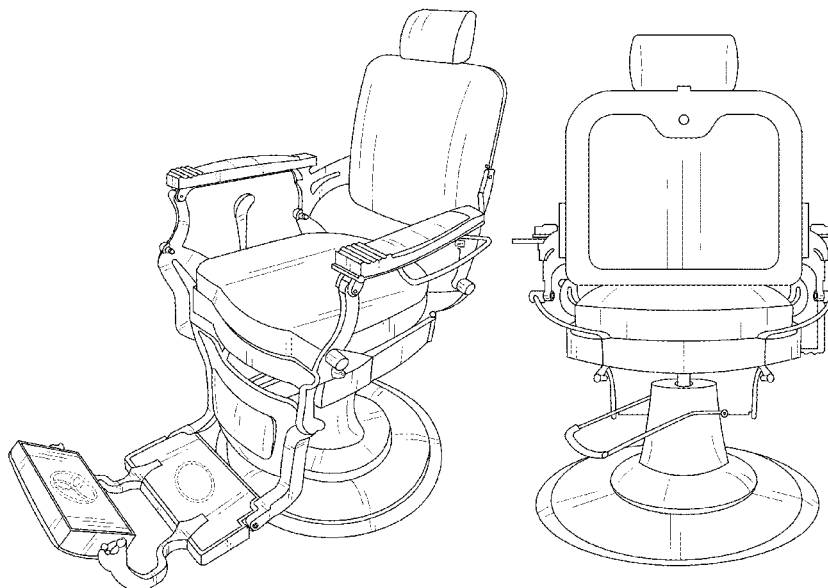
DESCRIPTION

FIG. 1 is a top perspective view of a hairdressing chair of the present invention;
FIG. 2 is another top perspective view of the hairdressing chair shown in FIG. 1;
FIG. 3 is a front elevational view of the hairdressing chair shown in FIG. 1;
FIG. 4 is a rear elevational view of the hairdressing chair shown in FIG. 1;
FIG. 5 is a left-side elevational view of the hairdressing chair shown in FIG. 1;
FIG. 6 is a right-side elevational view of the hairdressing chair shown in FIG. 1;
FIG. 7 is a top plan view of the hairdressing chair shown in FIG. 1; and,
FIG. 8 is a bottom plan view of the hairdressing chair shown in FIG. 1.
The broken lines shown in the drawings are for the purpose of illustrating portions of the hairdressing chair that form no part of the claimed design.

(56) **References Cited**
U.S. PATENT DOCUMENTS

D47,236 S * 4/1915 Koken D6/360
D62,302 S * 5/1923 Koken D6/360
D64,316 S * 3/1924 Koken D6/360
D64,545 S * 4/1924 Koken D6/360
D64,546 S * 4/1924 Koken D6/360
1,550,055 A * 8/1925 Augustine A47C 1/04
206/5
1,612,416 A * 12/1926 Casale A47C 1/06
297/238
1,843,564 A * 2/1932 Koken A47C 1/06
297/344.13

1 Claim, 8 Drawing Sheets



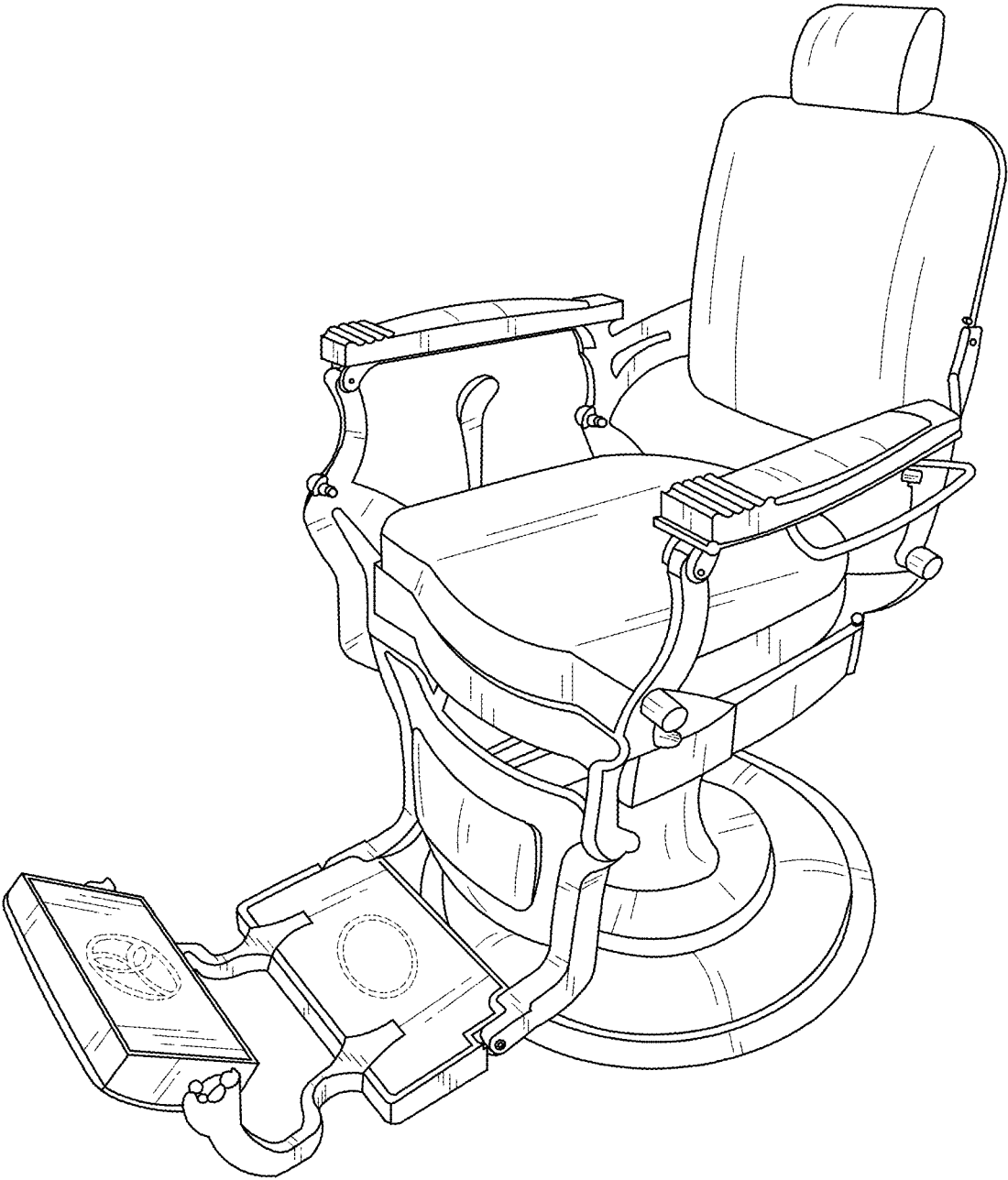


FIG. 1

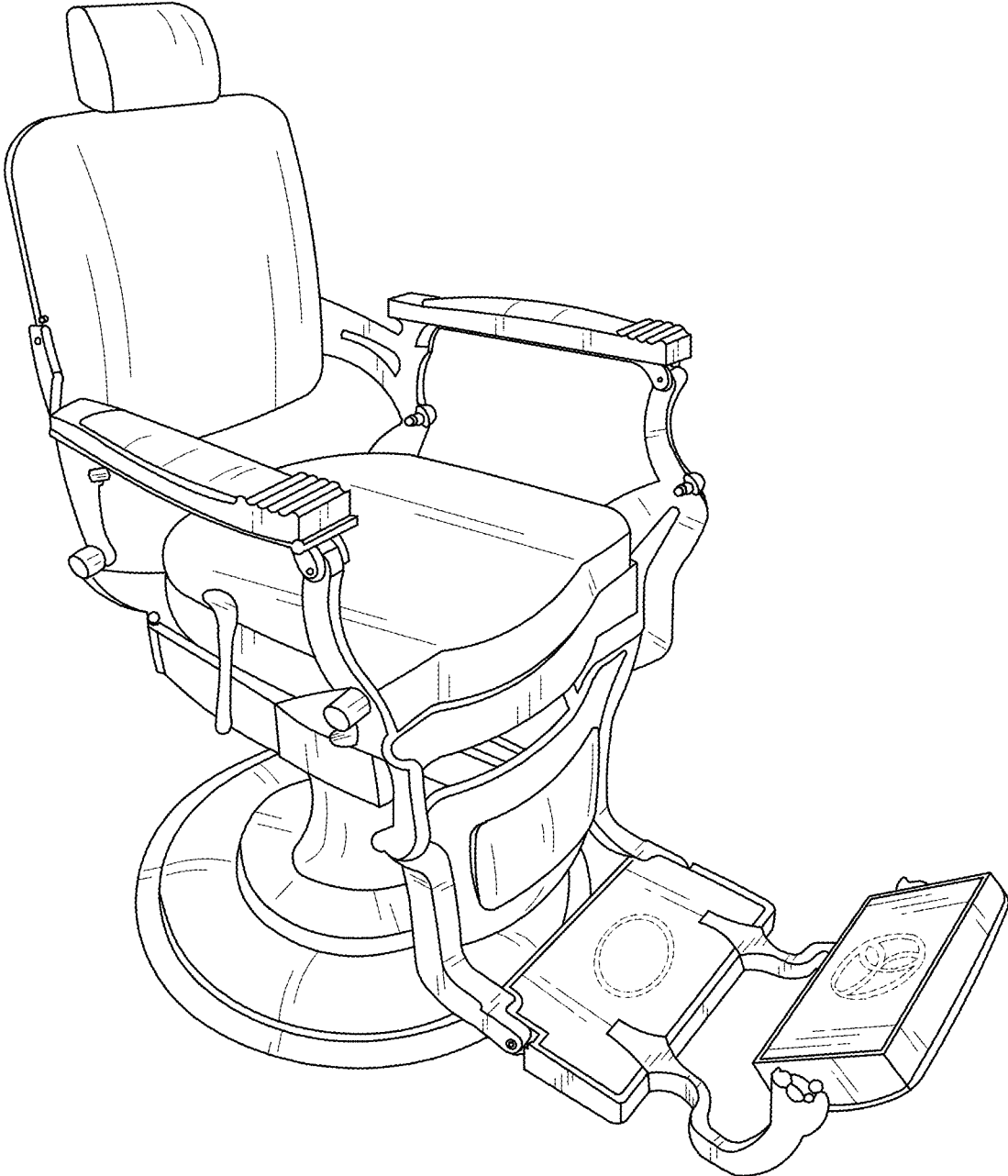


FIG. 2

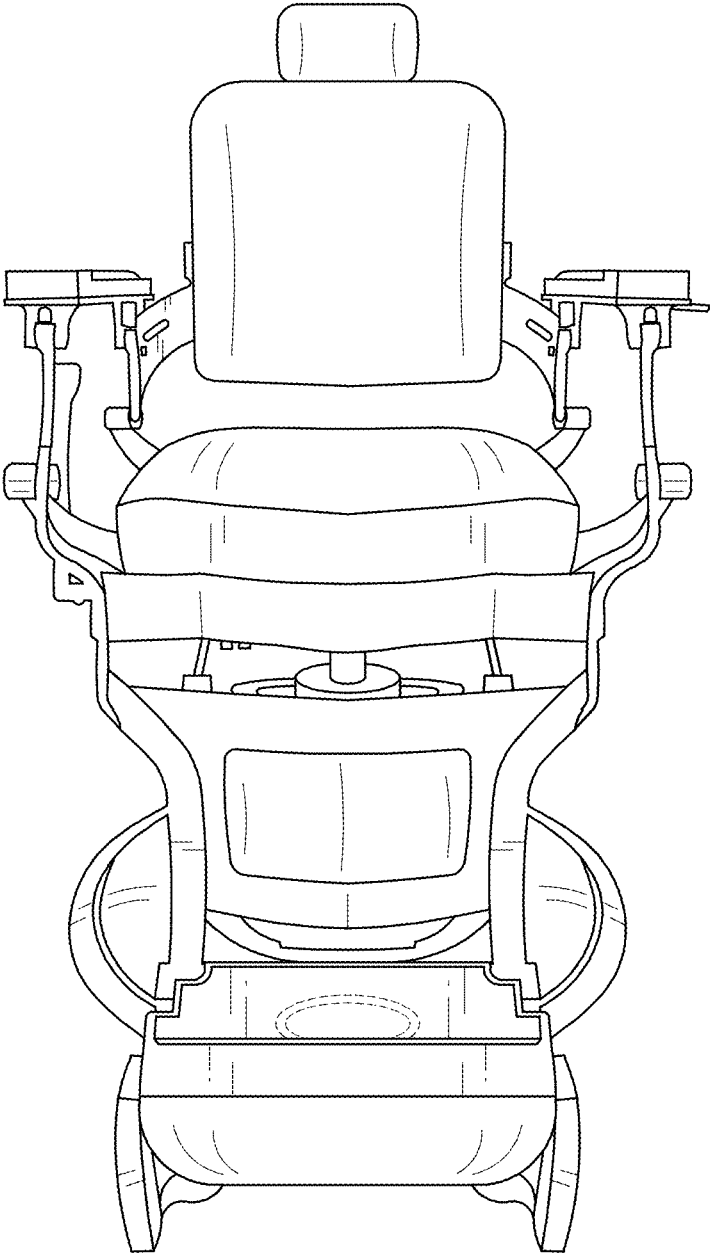


FIG. 3

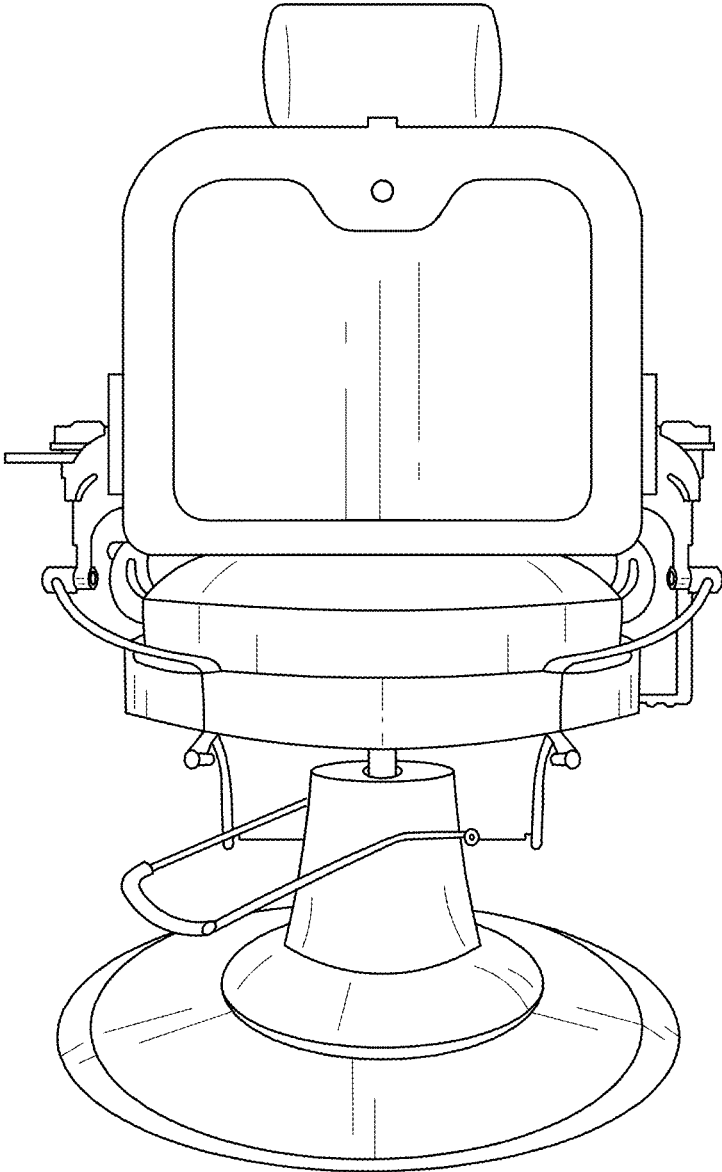


FIG. 4

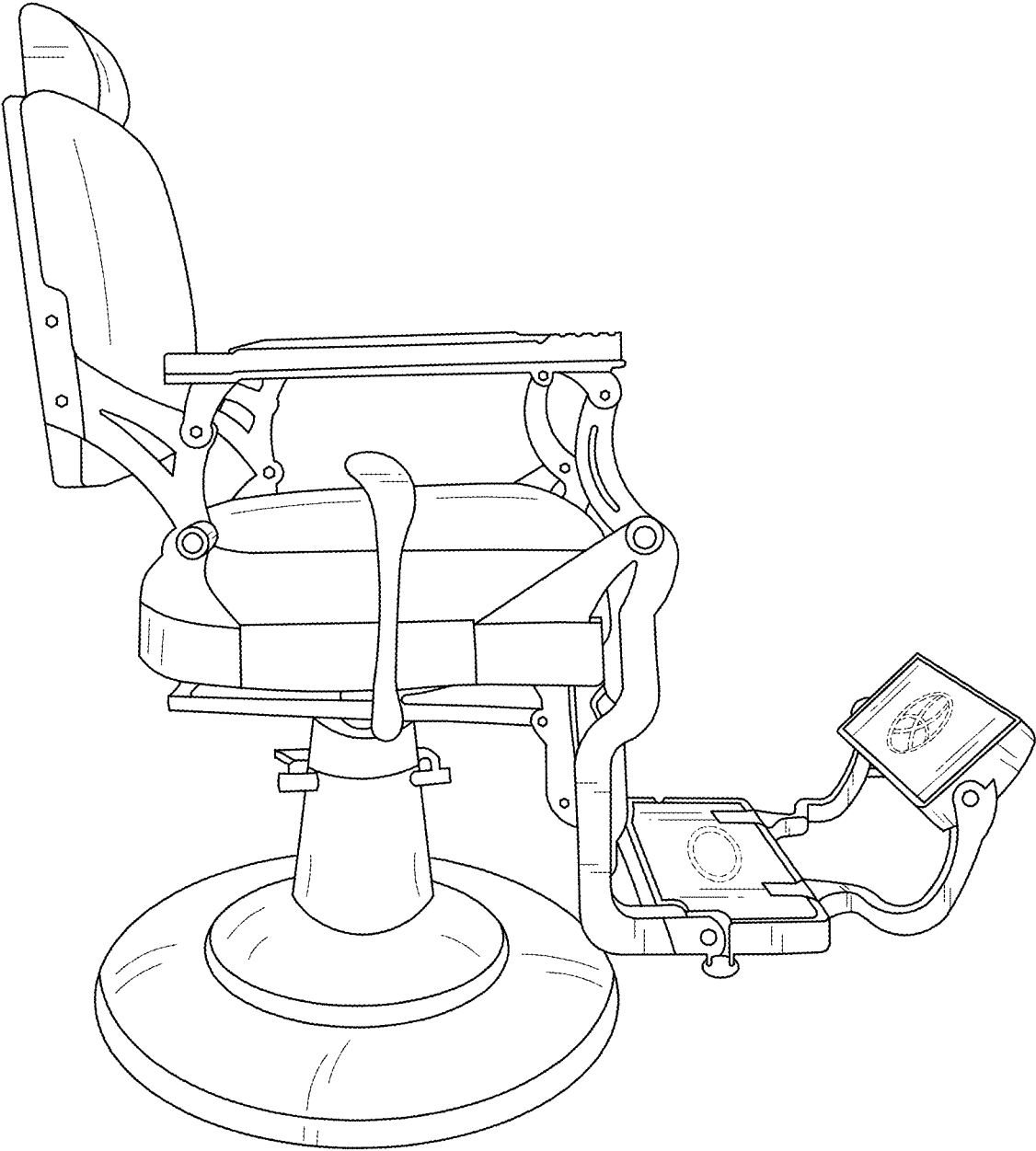


FIG. 5

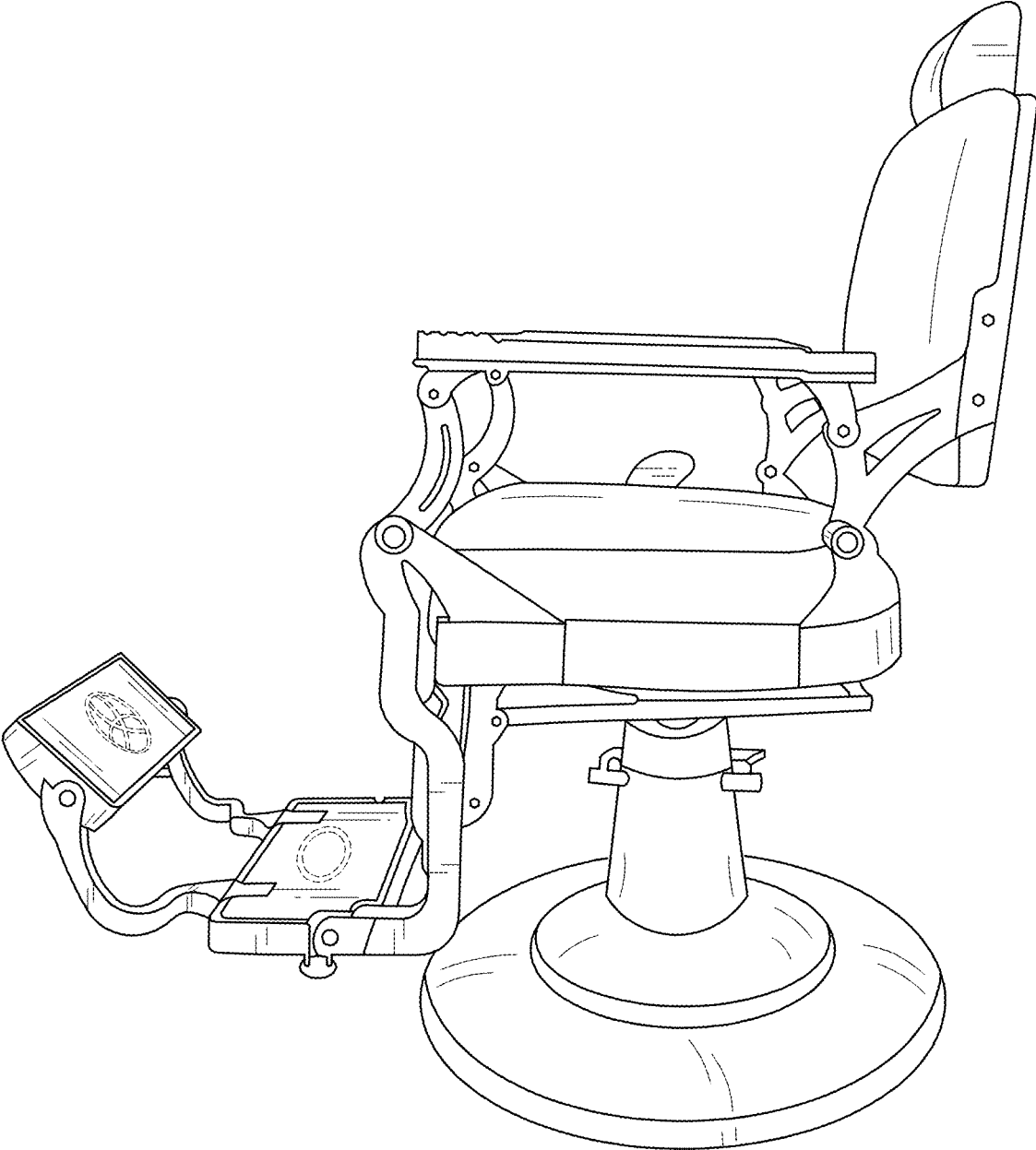


FIG. 6

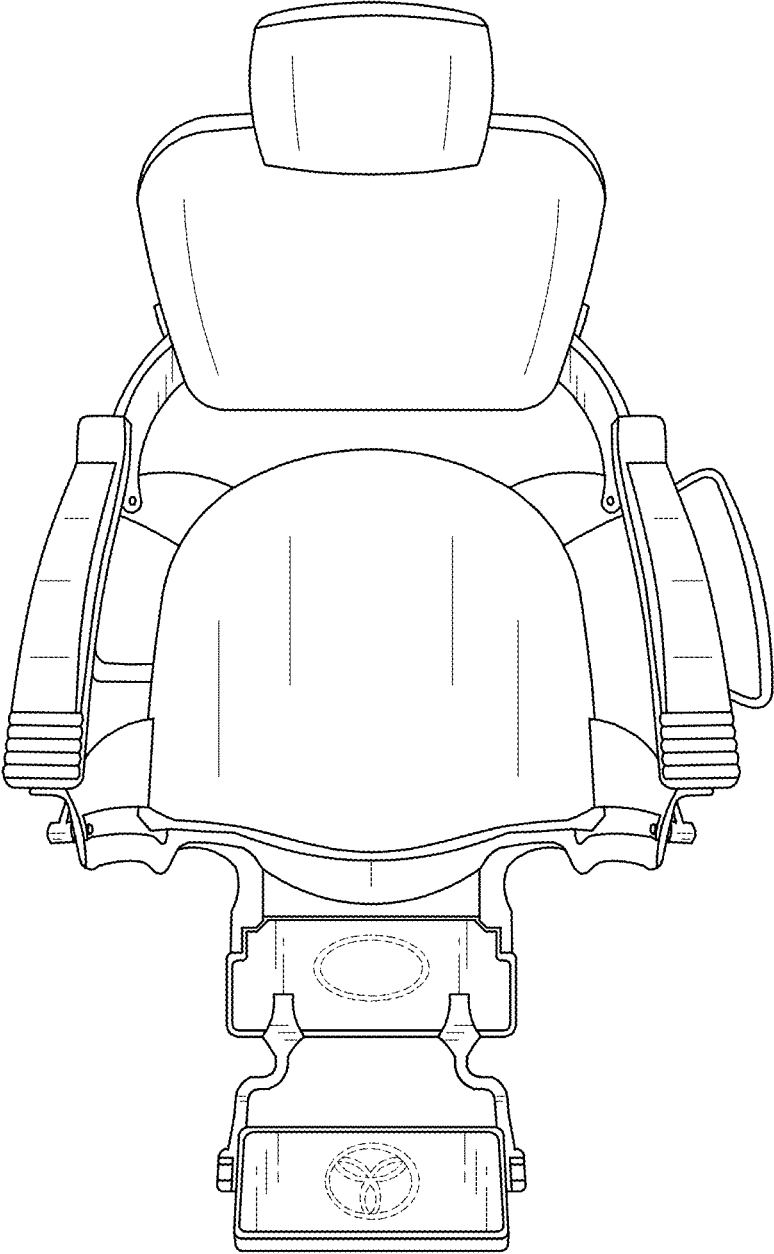


FIG. 7

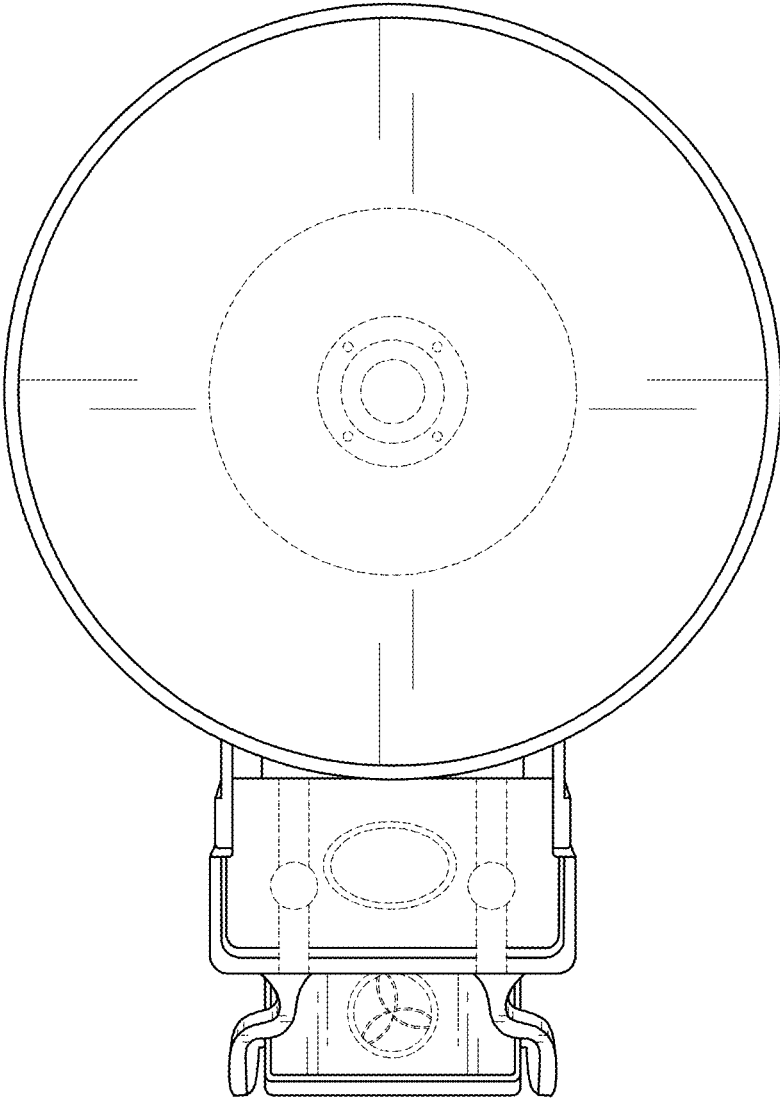


FIG. 8