



US00D780281S

(12) **United States Design Patent**
Hoetger

(10) **Patent No.:** **US D780,281 S**

(45) **Date of Patent:** **** Feb. 28, 2017**

(54) **SHOOTING TARGET APPARATUS**

2015/0330748 A1* 11/2015 Anzalone F41J 1/10
273/390

(71) Applicant: **Ralph Hoetger**, Idyllwild, CA (US)

* cited by examiner

(72) Inventor: **Ralph Hoetger**, Idyllwild, CA (US)

Primary Examiner — Michael A Pratt

(**) Term: **15 Years**

(74) *Attorney, Agent, or Firm* — Clement Cheng

(21) Appl. No.: **29/541,642**

(57) **CLAIM**

The ornamental design for a shooting target apparatus, as shown and described.

(22) Filed: **Oct. 6, 2015**

(51) **LOC (10) Cl.** **22-04**

DESCRIPTION

(52) **U.S. Cl.**

USPC **D22/113**

(58) **Field of Classification Search**

USPC D22/113; D21/302, 790

CPC F41J 1/10; F41J 5/14; F41J 1/00; F41J
3/0004

See application file for complete search history.

FIG. 1 is a perspective view.

FIG. 2 is a front view.

FIG. 3 is a rear view.

FIG. 4 is a left side view.

FIG. 5 is a right side view.

FIG. 6 is a top view.

FIG. 7 is a bottom view; and,

FIG. 8 is a perspective view.

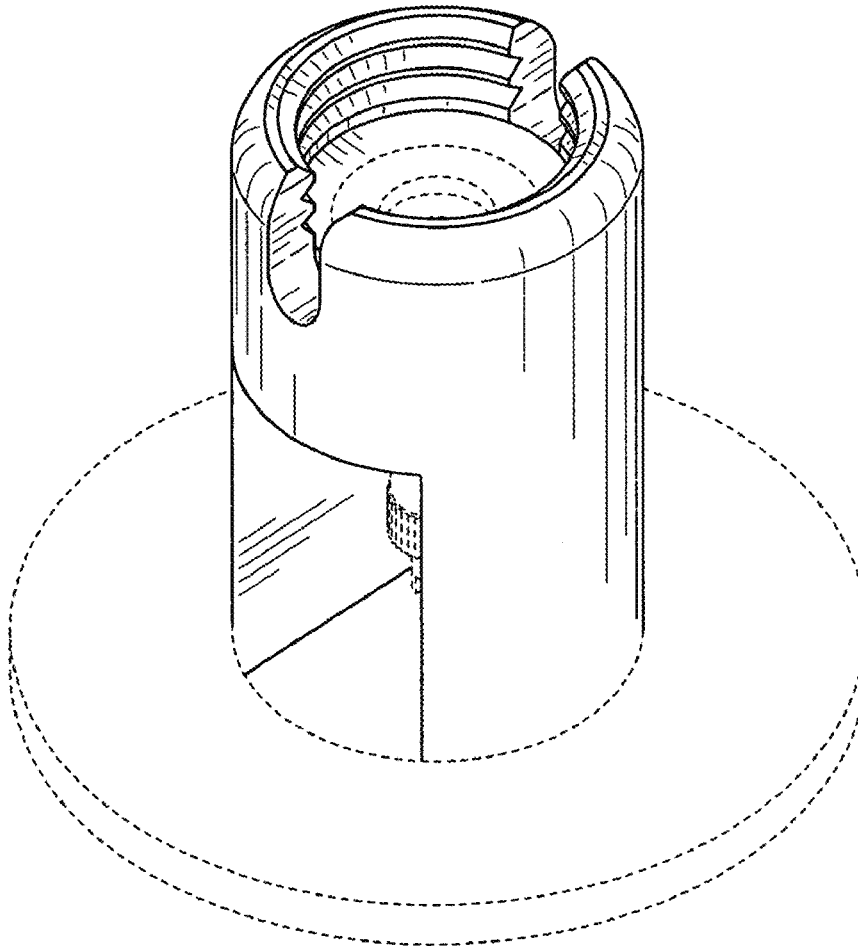
The dotted line in the drawing forms no part of the claimed invention.

(56) **References Cited**

U.S. PATENT DOCUMENTS

9,494,392 B2* 11/2016 Hoetger F41J 5/24

1 Claim, 5 Drawing Sheets



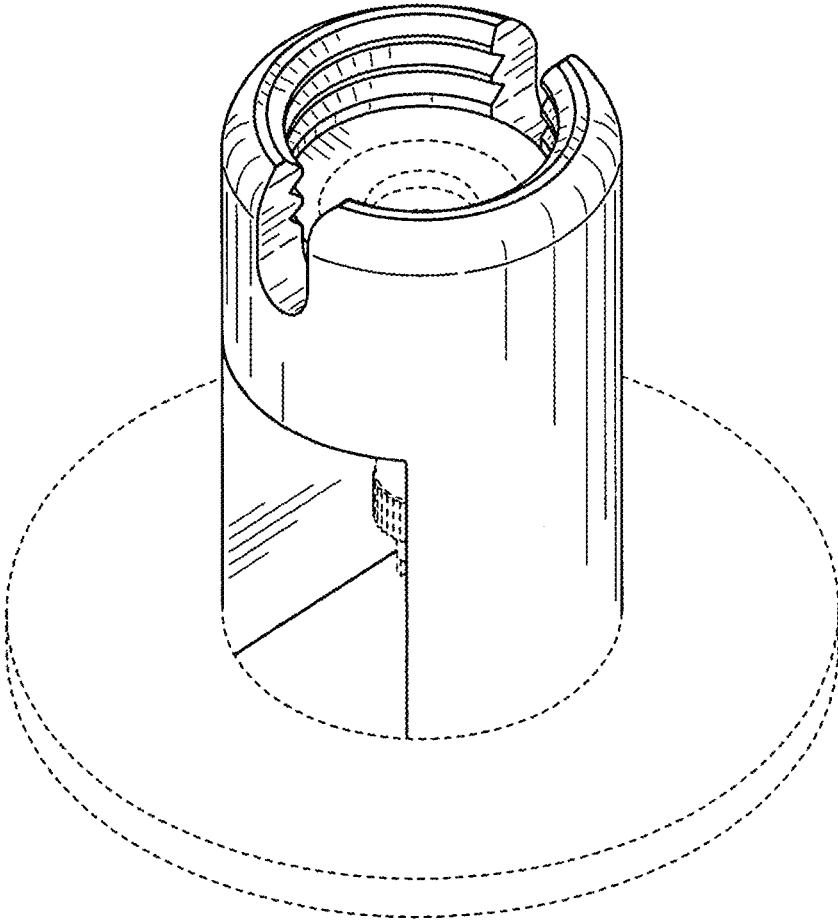


FIG. 1

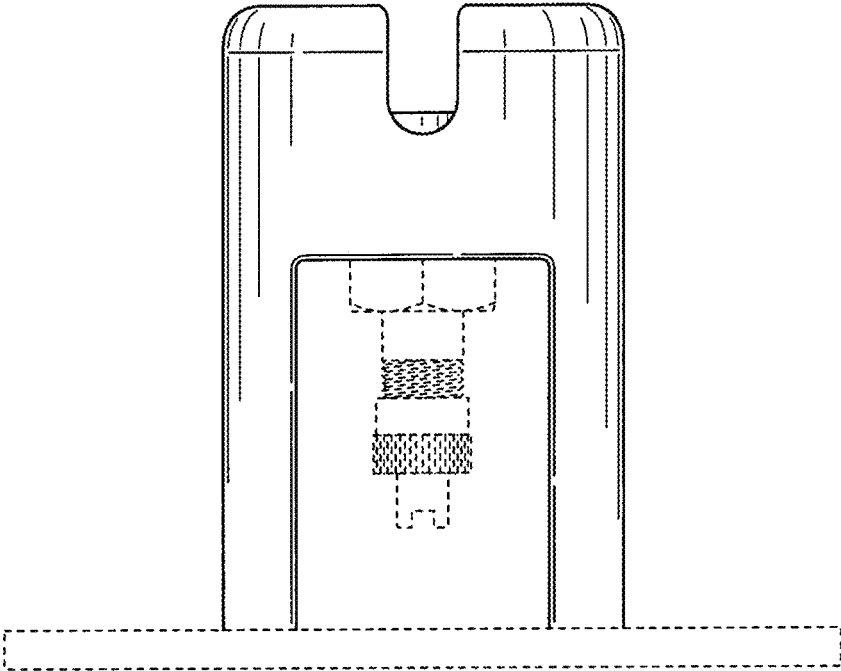


FIG. 2

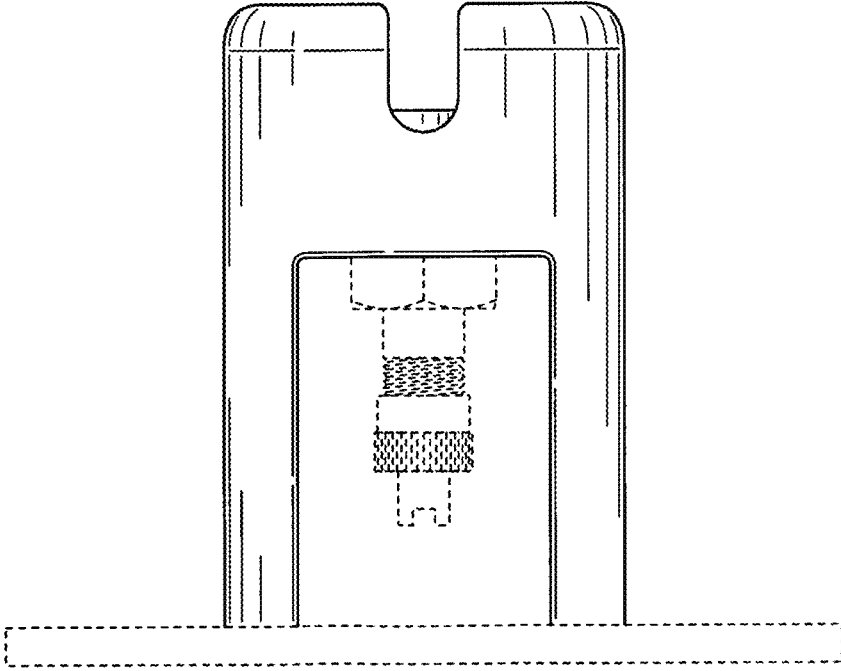


FIG. 3

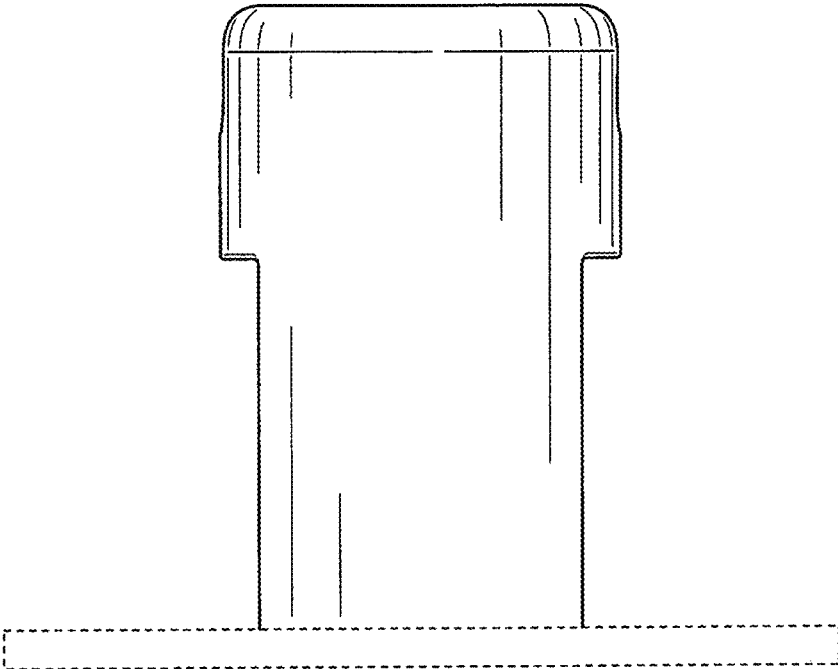


FIG. 4

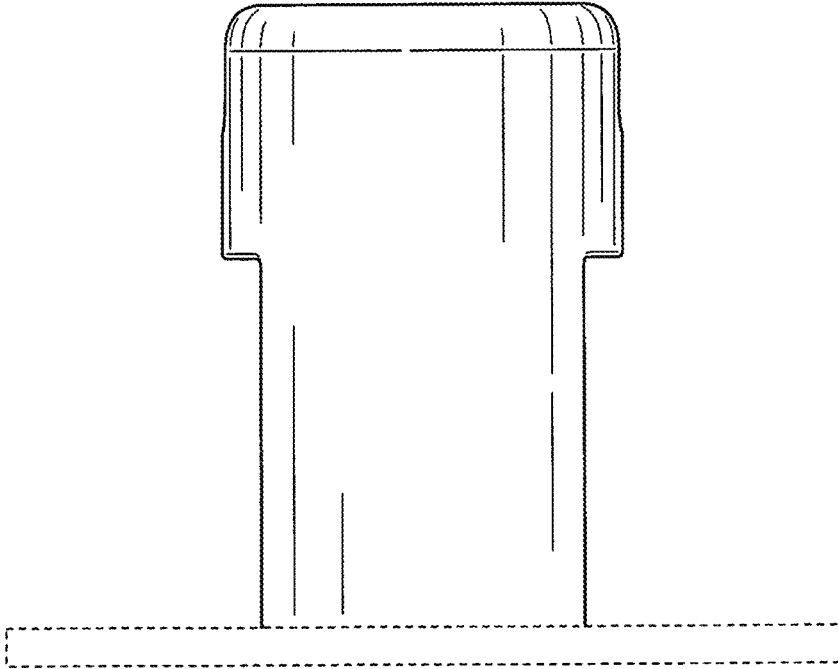


FIG. 5

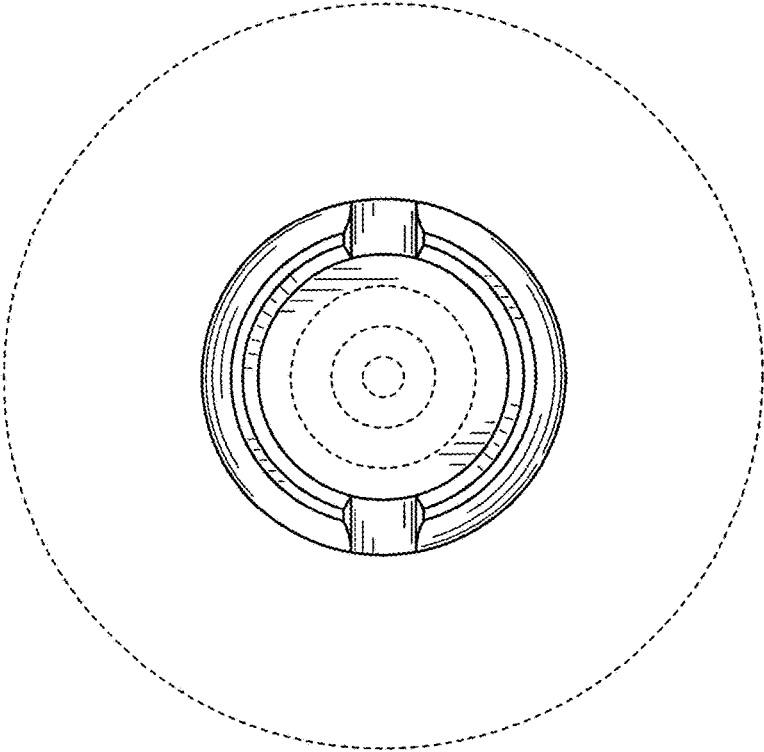


FIG. 6

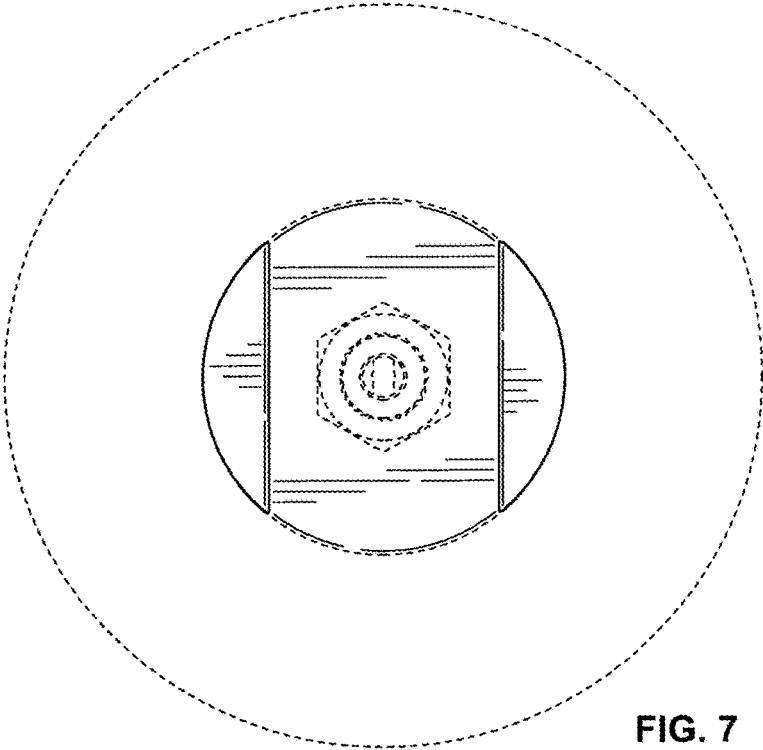


FIG. 7

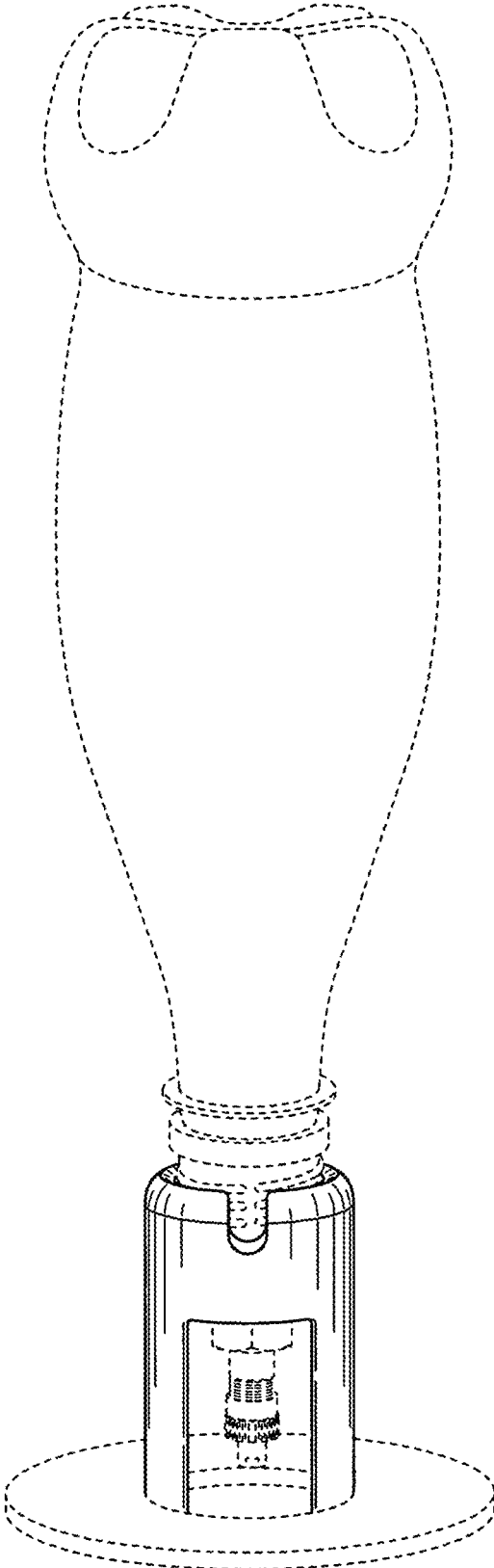


FIG. 8