

(19) World Intellectual Property Organization
International Bureau



(43) International Publication Date
7 August 2008 (07.08.2008)

PCT

(10) International Publication Number
WO 2008/095036 A3

- (51) **International Patent Classification:**
E21B 21/06 (2006.01) *B63B 27/00* (2006.01)
E21B 21/00 (2006.01)
- (21) **International Application Number:**
PCT/US2008/052520
- (22) **International Filing Date:** 30 January 2008 (30.01.2008)
- (25) **Filing Language:** English
- (26) **Publication Language:** English
- (30) **Priority Data:**
60/887,449 31 January 2007 (31.01.2007) US
60/991,606 30 November 2007 (30.11.2007) US
12/020,439 25 January 2008 (25.01.2008) US
- (71) **Applicant (for all designated States except US):** **M-ILLC** [US/US]; 5950 North Course Drive, Houston, TX 77072 (US).
- (72) **Inventors; and**
- (75) **Inventors/Applicants (for US only):** **EIA, Jan, Thore** [NO/NO]; Haabakken 4, N-4355 Kvernaland (NO). **LOGAN, Gordon, M.** [GB/GB]; 13 Devanha Gardens, Aberdeen, Scotland AB11 7UU (GB).
- (74) **Agents:** **BERGMAN, Jeffrey, S.** et al; Osha - Liang LLP, 1221 McKinney St., Suite 2800, Houston, TX 77010 (US).

- (81) **Designated States (unless otherwise indicated, for every kind of national protection available):** AE, AG, AL, AM, AO, AT, AU, AZ, BA, BB, BG, BH, BR, BW, BY, BZ, CA, CH, CN, CO, CR, CU, CZ, DE, DK, DM, DO, DZ, EC, EE, EG, ES, FI, GB, GD, GE, GH, GM, GT, HN, HR, HU, ID, IL, IN, IS, JP, KE, KG, KM, KN, KP, KR, KZ, LA, LC, LK, LR, LS, LT, LU, LY, MA, MD, ME, MG, MK, MN, MW, MX, MY, MZ, NA, NG, NI, NO, NZ, OM, PG, PH, PL, PT, RO, RS, RU, SC, SD, SE, SG, SK, SL, SM, SV, SY, TJ, TM, TN, TR, TT, TZ, UA, UG, US, UZ, VC, VN, ZA, ZM, ZW
- (84) **Designated States (unless otherwise indicated, for every kind of regional protection available):** ARIPO (BW, GH, GM, KE, LS, MW, MZ, NA, SD, SL, SZ, TZ, UG, ZM, ZW), Eurasian (AM, AZ, BY, KG, KZ, MD, RU, TJ, TM), European (AT, BE, BG, CH, CY, CZ, DE, **DK**, EE, ES, FI, FR, GB, GR, **HR**, HU, IE, **IS**, **IT**, LT, LU, LV, MC, MT, NL, NO, PL, PT, **RO**, SE, **SI**, SK, TR), OAPI (BF, **BJ**, CF, CG, CI, CM, GA, GN, GQ, GW, ML, **MR**, NE, SN, TD, TG).

Declarations under Rule 4.17:

- as to applicant's entitlement to apply for and be granted a patent (Rule 4.17(U))
- as to the applicant's entitlement to claim the priority of the earlier application (Rule 4.17(Hi))

[Continued on next page]

(54) **Title:** USE OF CUTTINGS TANK FOR IN-TRANSIT SLURRIFICATION

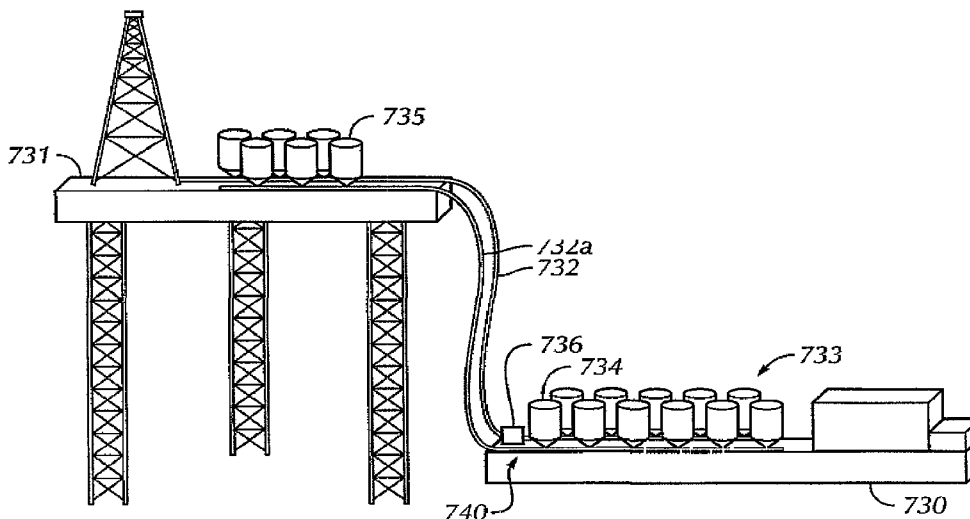


FIG. 7A

(57) **Abstract:** A system for preparing a slurry in-transit including a first cuttings storage vessel disposed on a transport vehicle, a module configured to operatively connect to the first cuttings storage vessel, and a fluid supply line in fluid communication with the first cuttings storage vessel, the module including, a grinding device configured to facilitate the transfer of fluids and reduce particle size of drill cuttings, wherein the system is operated while the transport vehicle is moving is disclosed. A method of operating an in-transit slurrification system including using a first vessel disposed on a moving transport vehicle for cuttings storage, and operating the first vessel in a slurrification process while the transport vehicle is moving is also disclosed.

WO 2008/095036 A3



Published:

- *with international search report*
- *before the expiration of the time limit for amending the claims and to be republished in the event of receipt of amendments*

(88) Date of publication of the international search report:
25 September 2008

INTERNATIONAL SEARCH REPORT

International application No
PCT/US2008/052520

A. CLASSIFICATION OF SUBJECT MATTER

E21B 21/06(2006.01)1, E21B 21/00(2006.01)1, B63B 27/00(2006.01)1

According to International Patent Classification (IPC) or to both national classification and IPC

B. FIELDS SEARCHED

Minimum documentation searched (classification system followed by classification symbols)

IPC 8 E21B 21/06

Documentation searched other than minimum documentation to the extent that such documents are included in the fields searched

Korean Utility Models and applications for Utility Models since 1975
Japanese Utility Models and applications for Utility Models since 1975

Electronic data base consulted during the international search (name of data base and, where practicable, search terms used)

eKIPASS(KIPO internal)"slurry", "vessel", "gπnging"

C. DOCUMENTS CONSIDERED TO BE RELEVANT

Category*	Citation of document, with indication, where appropriate, of the relevant passages	Relevant to claim No
A	US 6709216 B2(BRIAN SNOWDON) 23 MARCH 2004 See Column 3, Line 49-Column 4, Line 69, Figures 1-3	1-23
A	US 5303786 A(MARK L PRESTRIDGE et al) 19 APRIL 1994 See Column 2, Line 50-Column 5, Line 19, Figure 1	1-23
A	US 6745856 B2(BARRY SIMPSON et al) 08 JUNE 2004 See Column 4, Line 41-Column 6, Line 59, Figures 1-2	1-23
A	US 6179071 B1(GARY H DIETZEN) 30 JANUARY 2001 See Column 4, Line 11-Column 8, Line 24, Figures 1-19	1-23

Further documents are listed in the continuation of Box C

See patent family annex

* Special categories of cited documents

"A" document defining the general state of the art which is not considered to be of particular relevance

"E" earlier application or patent but published on or after the international filing date

"L" document which may throw doubts on priority claim(s) or which is cited to establish the publication date of citation or other special reason (as specified)

"O" document referring to an oral disclosure, use, exhibition or other means

"P" document published prior to the international filing date but later than the priority date claimed

"T" later document published after the international filing date or priority date and not in conflict with the application but cited to understand the principle or theory underlying the invention

"X" document of particular relevance, the claimed invention cannot be considered novel or cannot be considered to involve an inventive step when the document is taken alone

"Y" document of particular relevance, the claimed invention cannot be considered to involve an inventive step when the document is combined with one or more other such documents, such combination being obvious to a person skilled in the art

"&" document member of the same patent family

Date of the actual completion of the international search

28 JULY 2008 (28 07 2008)

Date of mailing of the international search report

28 JULY 2008 (28.07.2008)

Name and mailing address of the ISA/KR



Korean Intellectual Property Office
Government Complex-Daejeon, 139 Seonsa-ro, Seo-gu, Daejeon 302-701, Republic of Korea

Facsimile No 82-42-472-7140

Authorized officer

RYU, Jei Jun

Telephone No 82-42-481-8219



INTERNATIONAL SEARCH REPORT

Information on patent family members

International application No

PCT/US2008/052520

Patent document cited in search report	Publication date	Patent family member(s)	Publication date
US 67092 16 B2	23.03.2004	AT 250543 E	15. 10.2003
		AT 296253 E	15.06.2005
		AT 32 17 15 E	15.04.2006
		AU 2000-55422 A 1	02.01 .2001
		AU 778008 B2	11. 11.2004
		BR 2000 11663 A	26.03.2002
		CA 2374583 C	13.03.2007
		CA 2374583 A1	21. 12.2000
		CN 1201986 C	18.05.2005
		CN 1382094 A	27. 11.2002
		DE 60005512 CO	30. 10.2003
		DE 60005512 T2	17.06.2004
		DE 60020407 CO	30.06.2005
		DE 60020407 T2	02.02.2006
		DE 60027058 CO	18.05.2006
		DE 60027058 T2	14. 12.2006
		DK 1187783 T3	09.02.2004
		DK 132 1395 T3	26.09.2005
		DK 1541507 T3	07.08.2006
		EA 3 12 1 B1	27.02.2003
		EA 446 1 B1	29.04.2004
		EP 1187783 A1	20.03.2002
		EP 1187783 B1	24.09.2003
		EP 132 1395 A2	25.06.2003
		EP 132 1395 A3	26. 11.2003
		EP 1541507 A1	15.06.2005
		EP 1541507 B1	29.03.2006
		EP 132 1395 B1	25.05.2005
		ES 2208346 T3	16.06.2004
		ES 2262 127 T3	16. 11.2006
		GB 99 13909 AO	18.08. 1999
		JP 2003-502242 T2	21.01 .2003
		KR 10-2002-0028902 A	17.04.2002
		PA 0 10 12950 A	11.04.2005
		NO 200 16 123 A	14. 12.2001
		NO 20052900 A	14. 12.2001
		NO 20052900 AO	14.06.2005
		NO 3 19954 B1	03. 10.2005
		US 2003-0190 199 A1	09. 10.2003
		US 2003-202847 A1	30. 10.2003
		US 2003-202864 A1	30. 10.2003
		US 2004-0086345 A1	06.05.2004
		US 2004-0086360 A1	06.05.2004
		US 2004-0096298 A1	20.05.2004
		US 2007- 166 113 A1	19.07.2007
		US 6698989 BB	02.03.2004
		US 6702539 BB	09.03.2004
		US 67092 17 B1	23.03.2004
		US 7033 124 BB	25.04.2006
		US 7 186062 BB	06.03.2007

INTERNATIONAL SEARCH REPORT

Information on patent family members

International application No

PCT/US2008/052520

Patent document cited in search report	Publication date	Patent family member(s)	Publication date
		WO 2000-76889A1	21.12.2000
		ZA 200110098 A	14.07.2003
US 5303786 A	19.04.1994	NONE	
US 6745856 B2	08.06.2004	AU 2003-247941 A 1	09.02.2004
		US 2004-00 11562 A 1	22.01.2004
		WO 2004-009959 A2	29.01.2004
		WO 2004-009959 A3	29.07.2004
US 6179071 B1	30.01.2001	CA 2299951 AA	02.09.2000
		CA 2299951 C	21.09.2004