



US00D548406S

(12) **United States Design Patent**  
**Mihlbauer**

(10) **Patent No.:** **US D548,406 S**

(45) **Date of Patent:** **\*\* Aug. 7, 2007**

(54) **AQUARIUM**

D472,020 S 3/2003 Mihlbauer

(75) Inventor: **Brad L. Mihlbauer**, Mukwonago, WI (US)

**OTHER PUBLICATIONS**

(73) Assignee: **All-Glass Aquarium Company, Inc.**, Franklin, WI (US)

The Surfline 90 gallon tank in new wave design by Marineland Perfecto Manufacturing, 2003, Noblesville, IN 46060.

Elite Line Custom Curved Glass Aquariums by Aqua Aquarium, 2002 brochure.

(\*\*) Term: **14 Years**

Drawing A; prior to May 18, 2004; a contoured top plan view drawing of an aquarium.

\* cited by examiner

(21) Appl. No.: **29/230,196**

*Primary Examiner*—Cathy Anne MacCormac

(22) Filed: **May 18, 2005**

(74) *Attorney, Agent, or Firm*—Andrus, Scales, Starke & Sawall, LLP

(51) **LOC (8) Cl.** ..... **30-02**

(52) **U.S. Cl.** ..... **D30/101**

(58) **Field of Classification Search** ..... D30/101–106;  
D11/145; 119/245–246, 251, 253–256, 258–259,  
119/263–265

See application file for complete search history.

(57) **CLAIM**

The ornamental design for an aquarium, as shown.

(56) **References Cited**

**DESCRIPTION**

**U.S. PATENT DOCUMENTS**

D76,252 S *	9/1928	McCreary	.....	D30/101
D84,002 S *	4/1931	Smith	.....	D30/105
2,808,024 A *	10/1957	Glidden	.....	119/258
2,879,742 A *	3/1959	Morrill	.....	119/258
3,874,336 A *	4/1975	Murphy	.....	119/257
D239,180 S *	3/1976	Robert	.....	D30/101
D294,751 S *	3/1988	Shaiu	.....	D30/101
5,009,190 A *	4/1991	Gordon	.....	119/265
D316,917 S *	5/1991	Oldham	.....	D30/101
D327,233 S *	6/1992	McClellan	.....	D30/101
5,263,772 A	11/1993	Ritzow		
5,328,049 A	7/1994	Ritzow		
D361,167 S *	8/1995	Ichikawa	.....	D30/101
D361,169 S *	8/1995	Ichikawa	.....	D30/101
D361,646 S *	8/1995	Hashimoto	.....	D30/101
D377,242 S *	1/1997	Kelley	.....	D30/101
5,832,871 A	11/1998	Leis		
D429,503 S *	8/2000	Hsieh	.....	D30/101
D448,124 S *	9/2001	Wang	.....	D30/101
D451,249 S *	11/2001	Fang	.....	D30/101
6,484,669 B1	11/2002	Mihlbauer		
D471,325 S	3/2003	Mihlbauer		

FIG. 1 is an isometric view of an aquarium incorporating my new design;

FIG. 2 is a top plan view thereof;

FIG. 3 is a front elevation view thereof;

FIG. 4 is a right side elevation view thereof;

FIG. 5 is a left side elevation view thereof;

FIG. 6 is a bottom plan view thereof;

FIG. 7 is a rear elevation view thereof;

FIG. 8 is an isometric view of an aquarium incorporating my new design and showing an alternate embodiment;

FIG. 9 is top plan view thereof;

FIG. 10 is a front elevation view thereof;

FIG. 11 is a left side elevation view thereof;

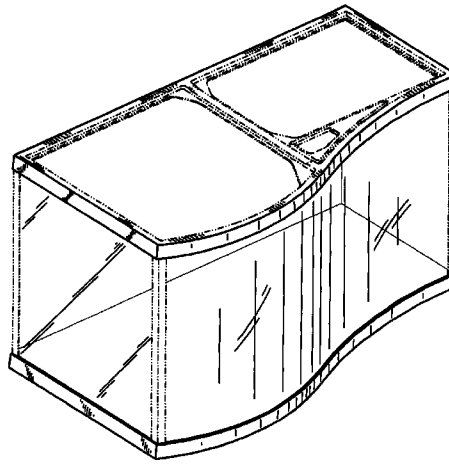
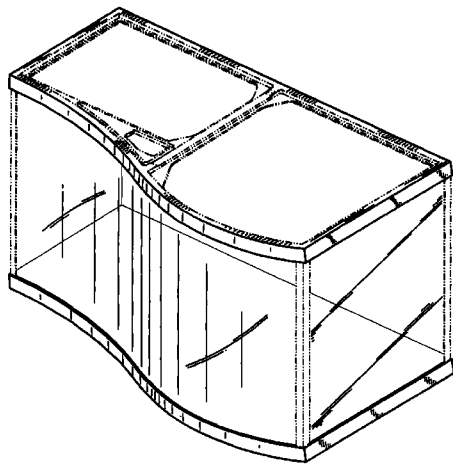
FIG. 12 is a right side elevation view thereof;

FIG. 13 is a bottom plan view thereof; and,

FIG. 14 is a rear elevation view thereof.

The broken lines are for illustration only and form no part of the claimed design.

**1 Claim, 8 Drawing Sheets**



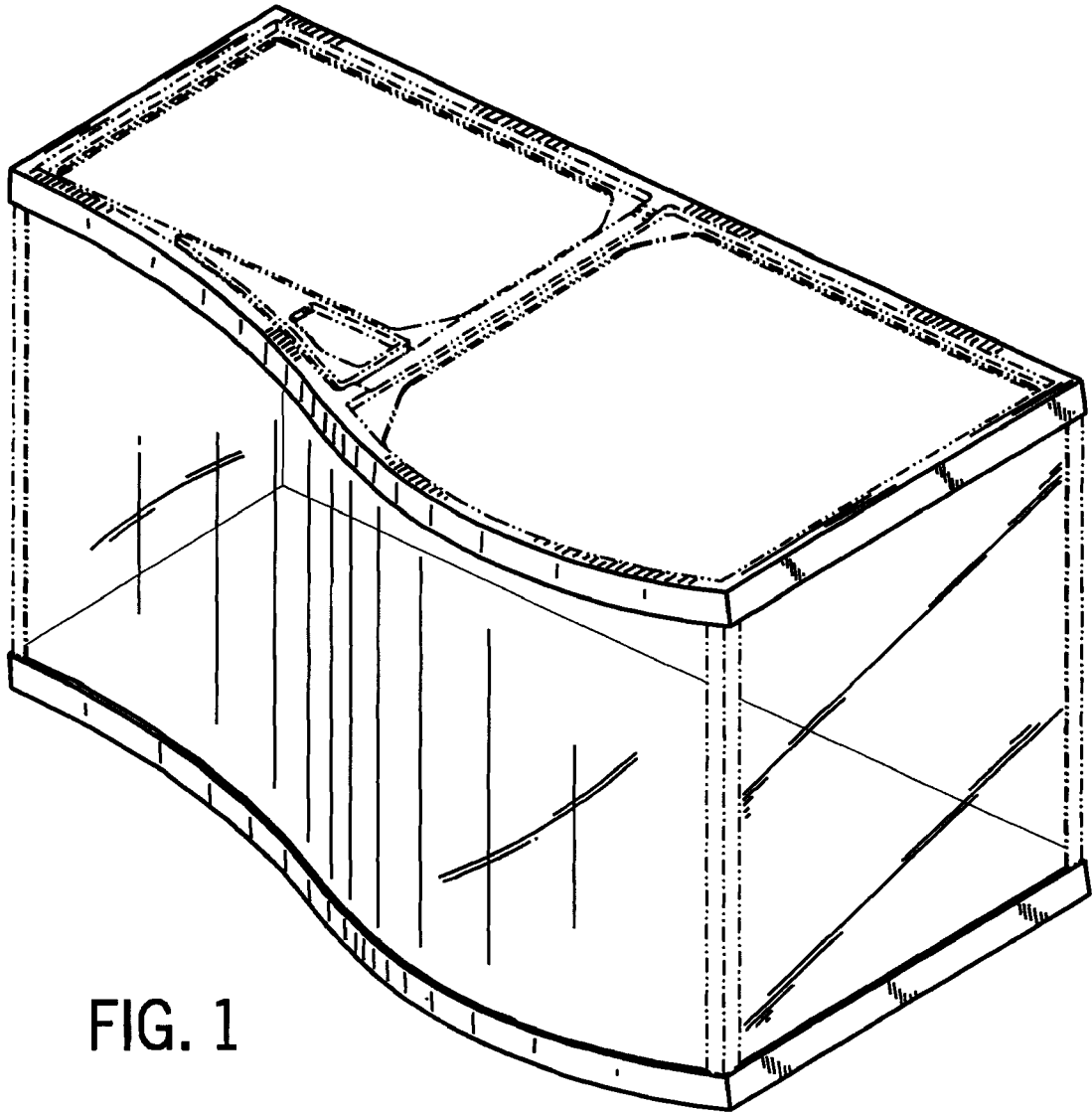


FIG. 1

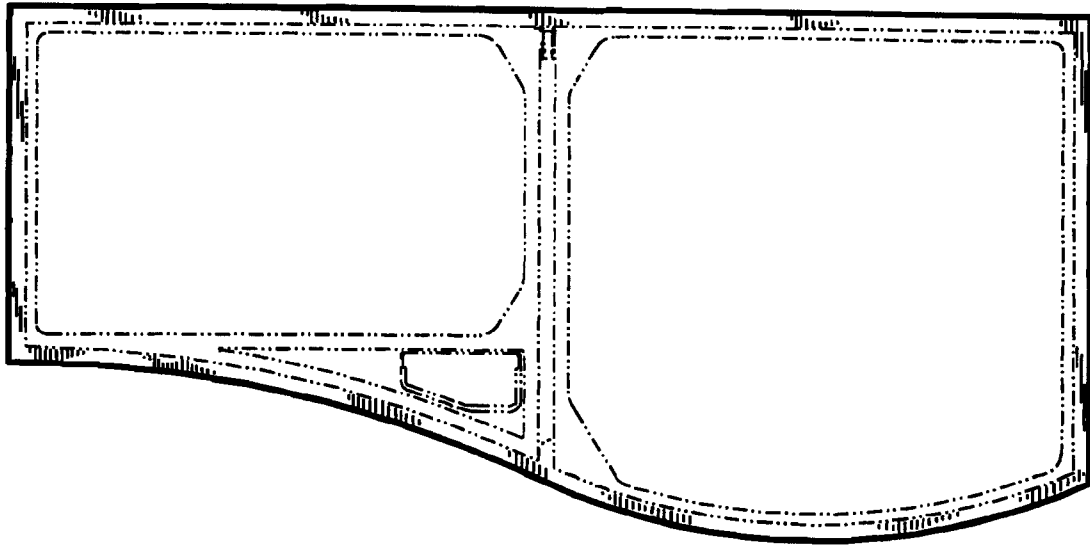


FIG. 2

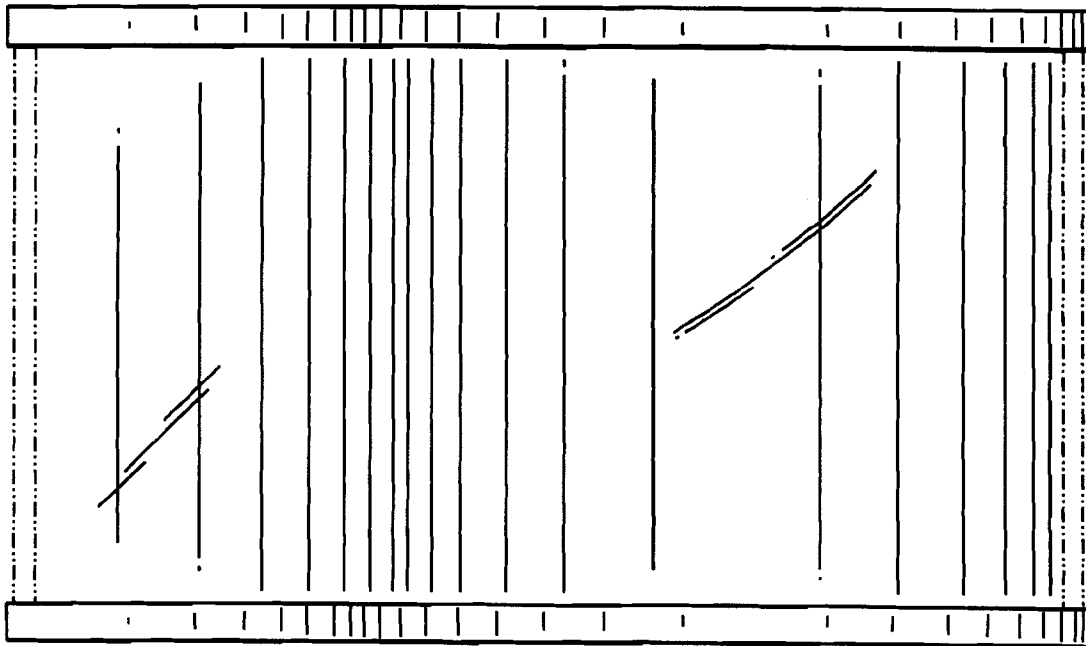


FIG. 3

FIG. 4

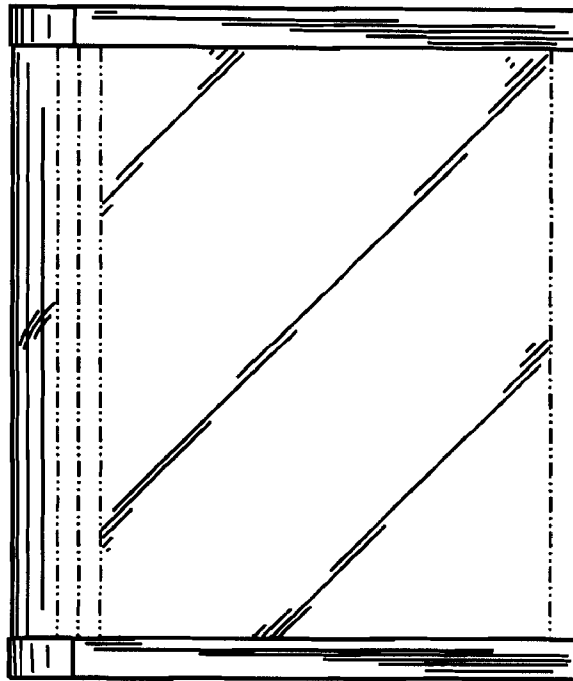
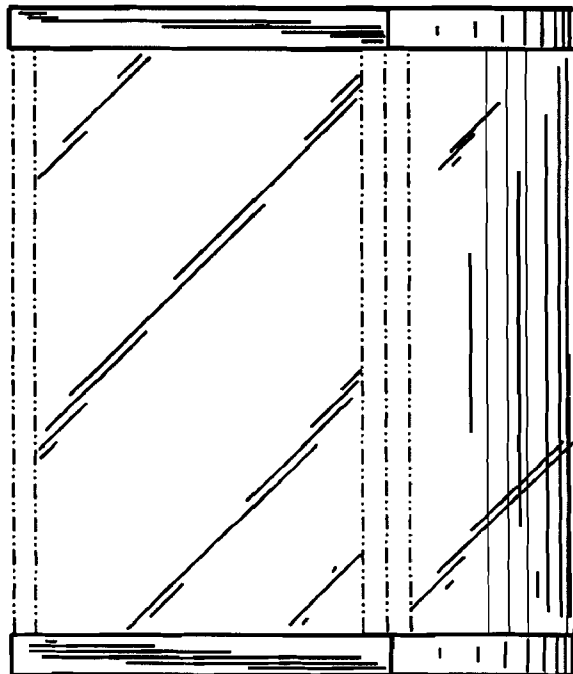


FIG. 5



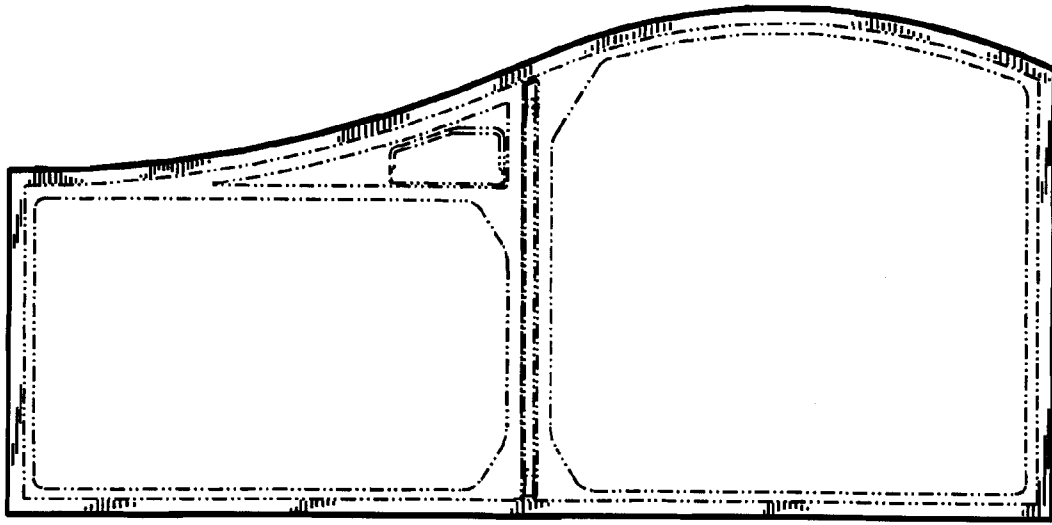


FIG. 6

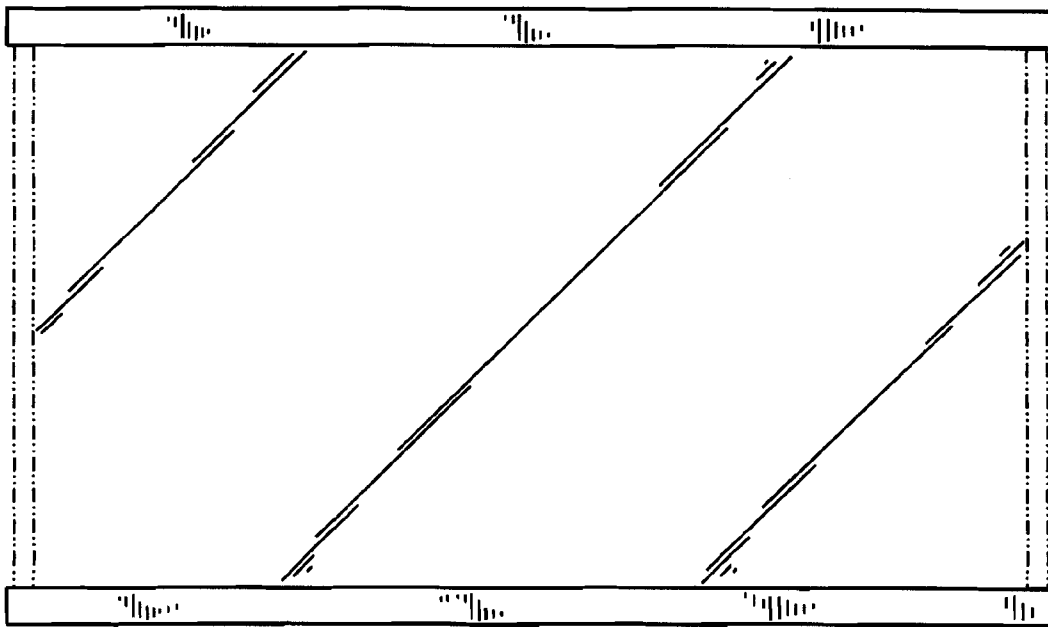


FIG. 7

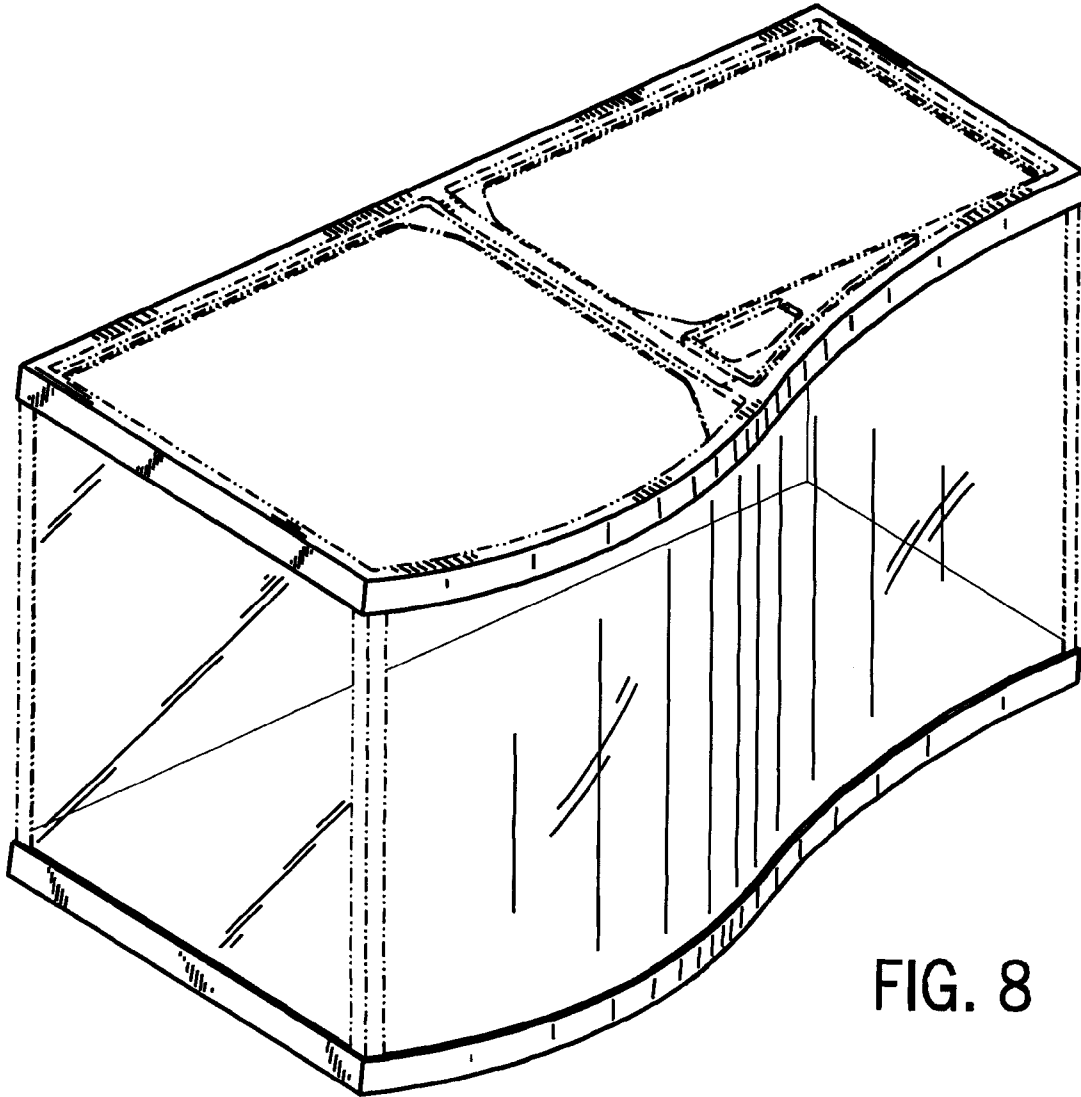


FIG. 8

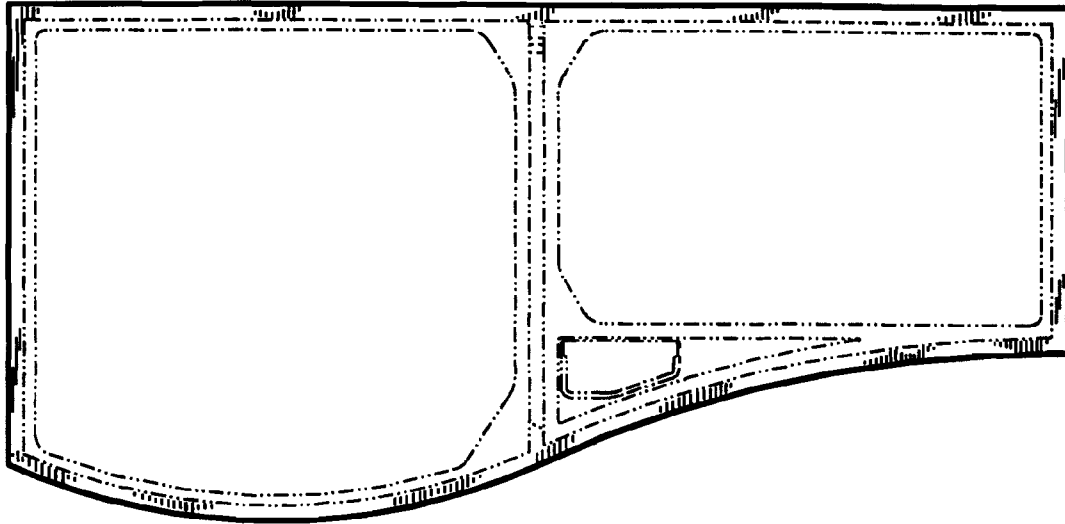


FIG. 9

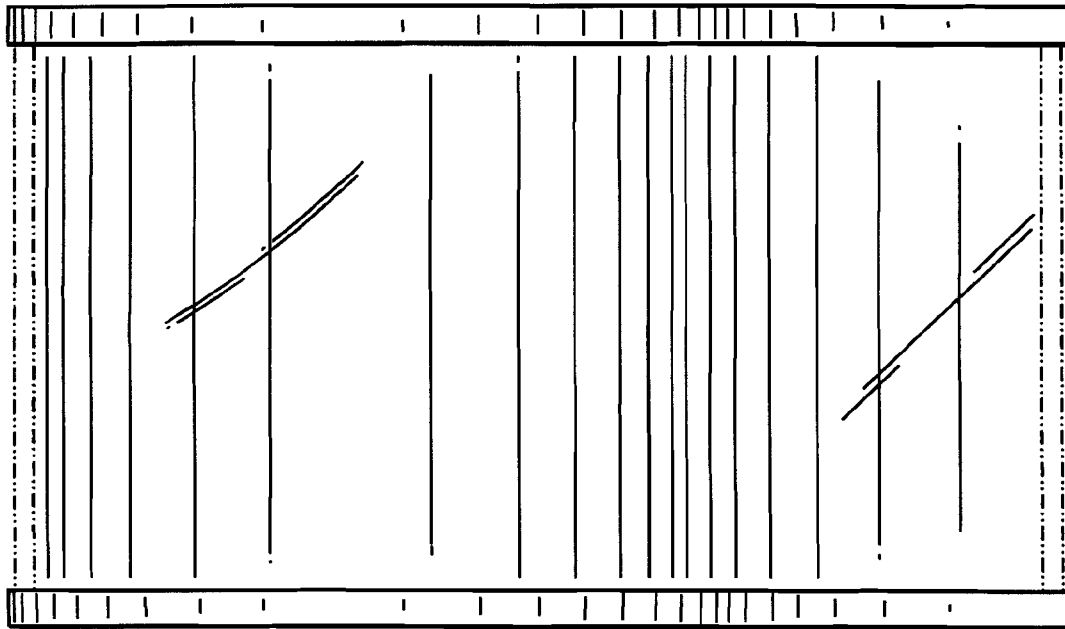


FIG. 10

FIG. 11

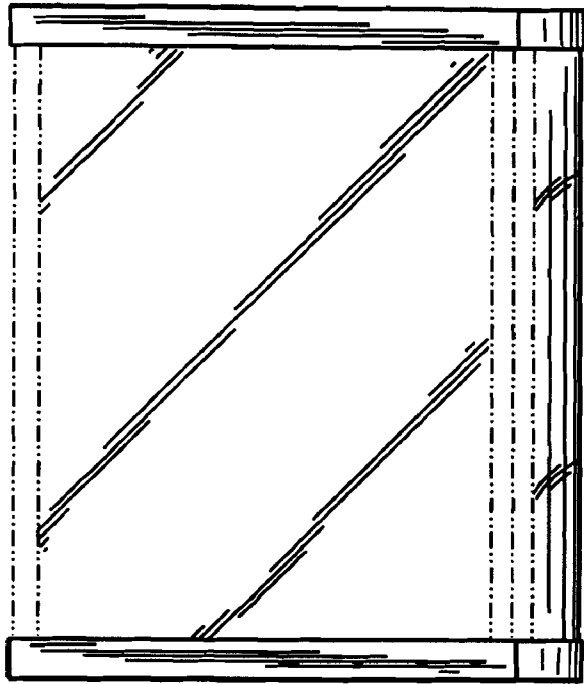
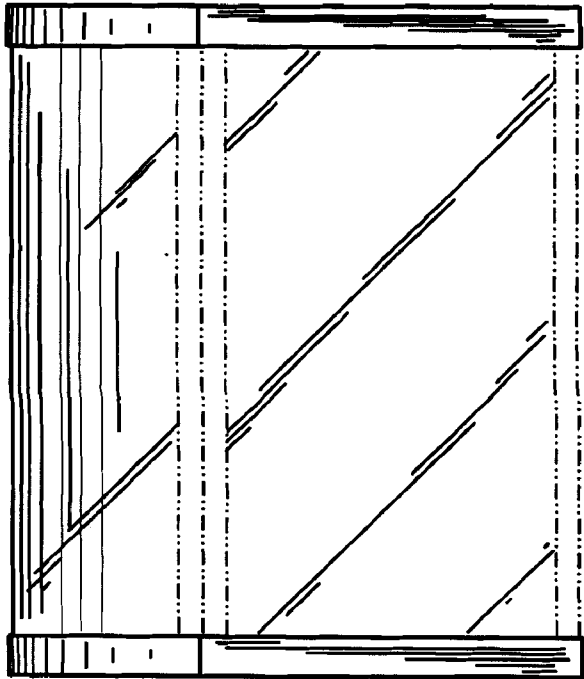


FIG. 12



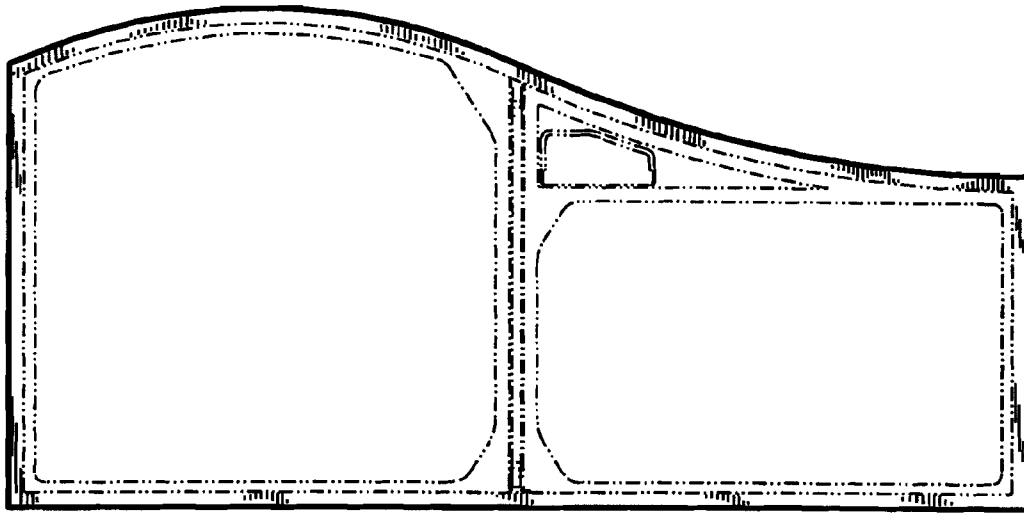


FIG. 13

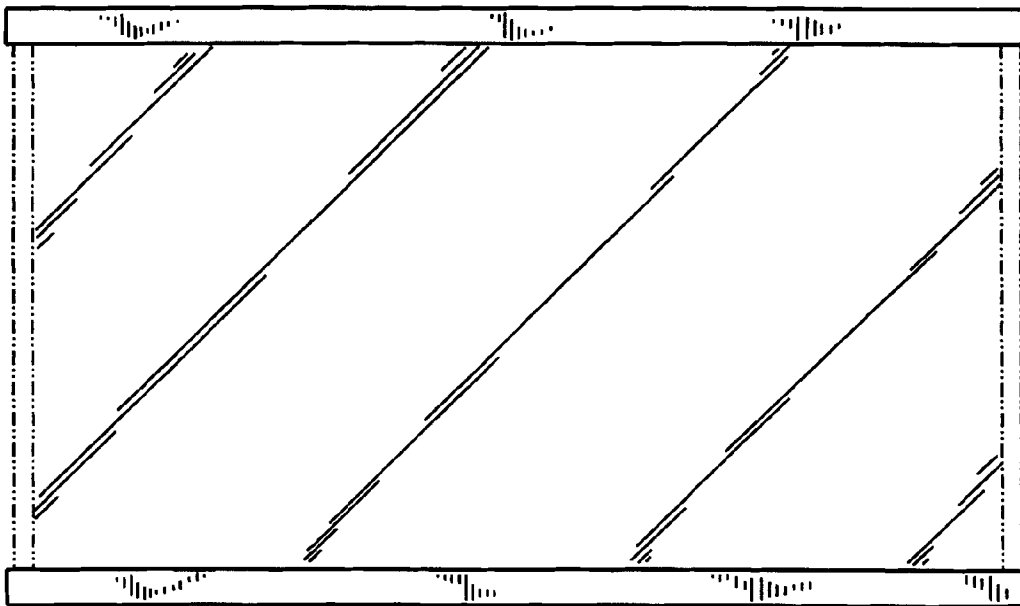


FIG. 14