



US00D993139S

(12) **United States Design Patent**  
**Lynch**

(10) **Patent No.:** **US D993,139 S**

(45) **Date of Patent:** **\*\* Jul. 25, 2023**

- (54) **GOLF CART ENCLOSURE**
- (71) Applicant: **Wayne Emmett Lynch**, Lincoln, CA (US)
- (72) Inventor: **Wayne Emmett Lynch**, Lincoln, CA (US)
- (\*\*) Term: **15 Years**
- (21) Appl. No.: **29/866,727**
- (22) Filed: **Sep. 26, 2022**
- (51) **LOC (14) Cl.** ..... **12-13**
- (52) **U.S. Cl.** ..... **D12/401**  
USPC .....
- (58) **Field of Classification Search**  
USPC ..... D12/16, 82, 83, 85, 86, 96, 196, 401;  
D15/17, 28; D21/433, 425  
CPC ..... B62J 17/086; B62J 17/00; B62J 17/005;  
B62J 17/02; B62J 17/06; B62J 17/083;  
B62J 17/08; B62J 17/04  
See application file for complete search history.

D424,778 S *	5/2000	Dahl .....	D12/96
D427,612 S *	7/2000	Shim .....	D12/96
D430,619 S *	9/2000	Wang .....	D21/433
6,158,801 A *	12/2000	Tucker .....	B60J 5/0487 296/148
6,276,745 B1	8/2001	Wilson	
D483,079 S *	12/2003	Wang .....	D21/427
D502,296 S *	2/2005	Cunningham .....	D12/96
D520,937 S	5/2006	Eisenhauer	
D555,058 S	11/2007	Curtis, Jr. et al.	
D557,191 S	12/2007	Curtis, Jr. et al.	
D627,688 S *	11/2010	Lewis .....	D12/96
D630,129 S *	1/2011	Hanson, Jr. ....	D12/16
D677,205 S	3/2013	Hirneise	
D691,924 S *	10/2013	Smith .....	D12/96
D718,202 S	11/2014	Brown, Jr.	
D740,174 S	10/2015	Brown, Jr.	
D758,460 S *	6/2016	Kim .....	D15/28
D772,757 S *	11/2016	Tu .....	D12/91
D807,786 S *	1/2018	Beiling .....	D12/91
10,040,501 B2 *	8/2018	Haines .....	B62J 17/08

(Continued)

*Primary Examiner* — Joseph Kukella  
*Assistant Examiner* — Lavon M. Amerson  
 (74) *Attorney, Agent, or Firm* — Dunlap Bennett & Ludwig, PLLC

(56) **References Cited**

U.S. PATENT DOCUMENTS

D159,943 S *	9/1950	Amaral .....	296/22
D191,120 S *	8/1961	Van Karsen .....	D12/83
D213,680 S *	4/1969	Rogers .....	D12/83
D246,106 S *	10/1977	Russell .....	D12/85
4,621,859 A	11/1986	Spicher	
D291,878 S	9/1987	Cook	
4,773,694 A	9/1988	Gerber	
4,795,205 A *	1/1989	Gerber .....	B60J 1/04 296/84.1
5,203,601 A	4/1993	Guillot	
5,217,275 A	6/1993	Ridge	
D343,596 S *	1/1994	Writt, Jr. ....	D12/1
D348,553 S *	7/1994	Martin, Jr. ....	B60J 7/10 D34/37
D413,283 S	8/1999	Stepp et al.	

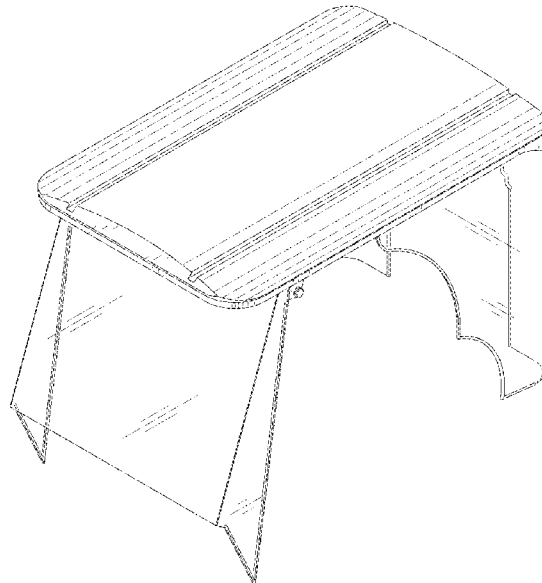
(57) **CLAIM**

The ornamental design for a golf cart enclosure, as shown and described.

**DESCRIPTION**

FIG. 1 is a top front perspective view of a golf cart enclosure, showing my new design;  
 FIG. 2 is a front elevation view thereof;  
 FIG. 3 is a rear elevation view thereof;  
 FIG. 4 is a right-side elevation view thereof, with a right-side elevation view being a mirror image thereof;  
 FIG. 5 is a top plan view thereof; and,  
 FIG. 6 is a bottom plan view thereof.

**1 Claim, 4 Drawing Sheets**



(56)

**References Cited**

U.S. PATENT DOCUMENTS

2002/0070580	A1*	6/2002	Elswick .....	B62K 5/01 296/96.21
2002/0096906	A1	7/2002	Tyrer	
2006/0087149	A1	4/2006	Curtis et al.	
2011/0001330	A1*	1/2011	Hirneise .....	B60J 5/065 296/77.1
2011/0233957	A1*	9/2011	Sams .....	B60J 5/08 296/79
2013/0234467	A1	9/2013	Brown, Jr.	
2014/0035313	A1*	2/2014	Sobik .....	B60J 7/0007 296/136.12
2015/0102630	A1*	4/2015	Guzzetta .....	B60J 11/06 296/147
2016/0207383	A1*	7/2016	Tyrer .....	B60J 7/10

\* cited by examiner

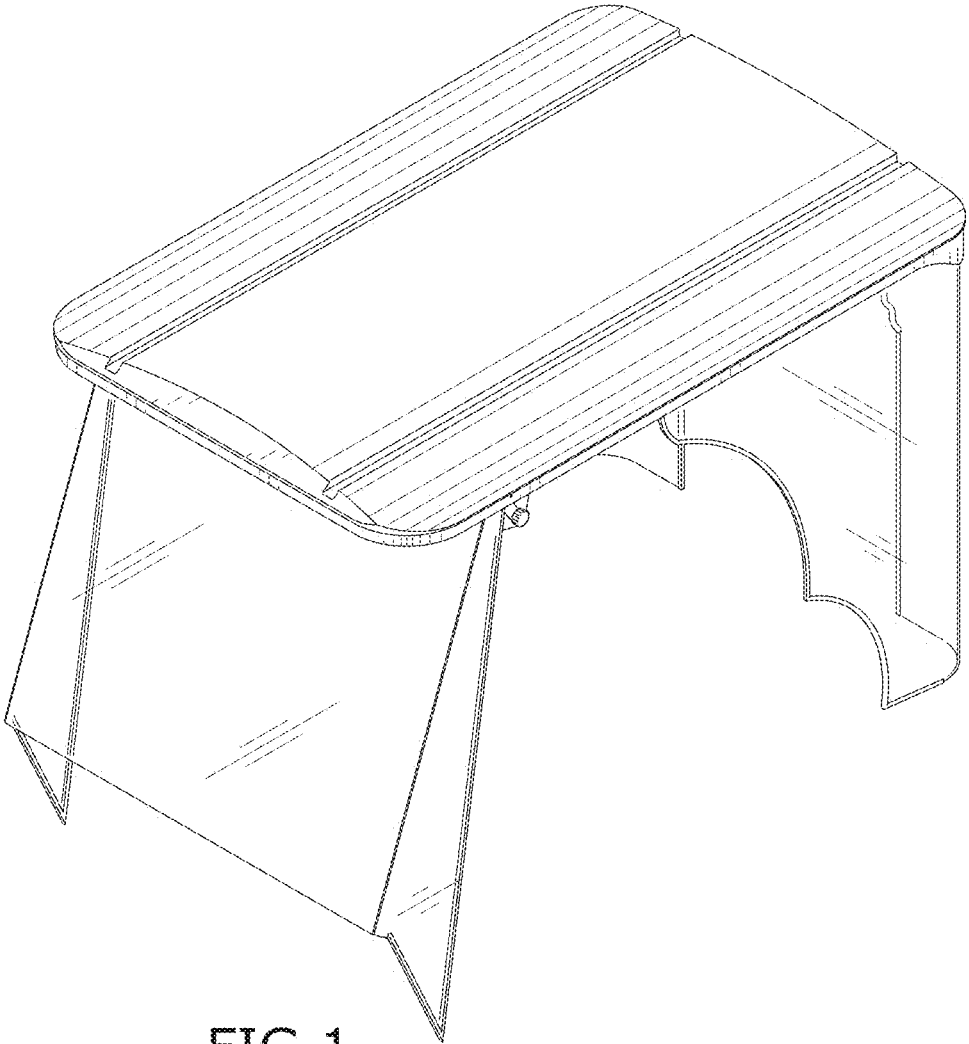


FIG.1

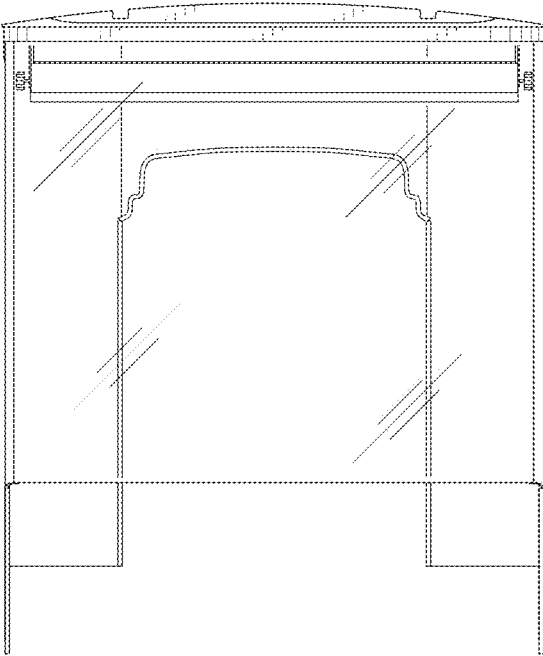


FIG. 2

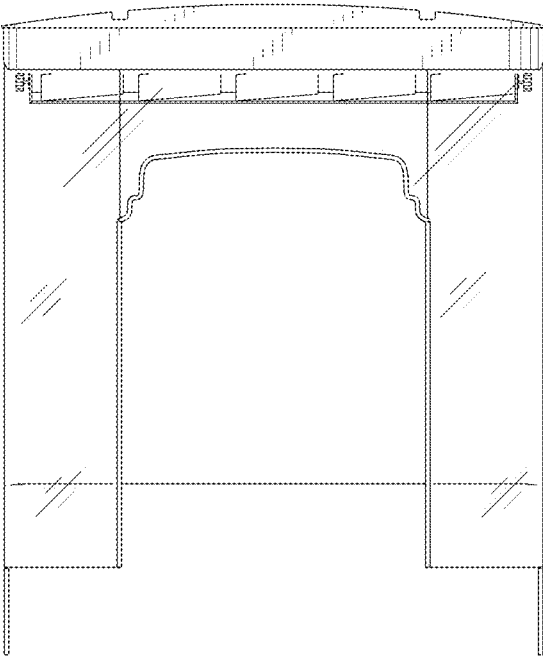


FIG. 3



FIG.4

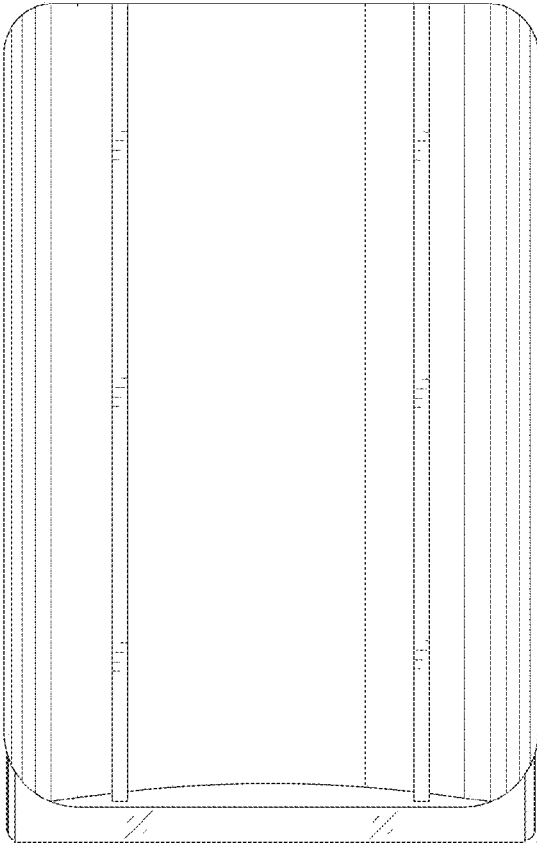


FIG. 5

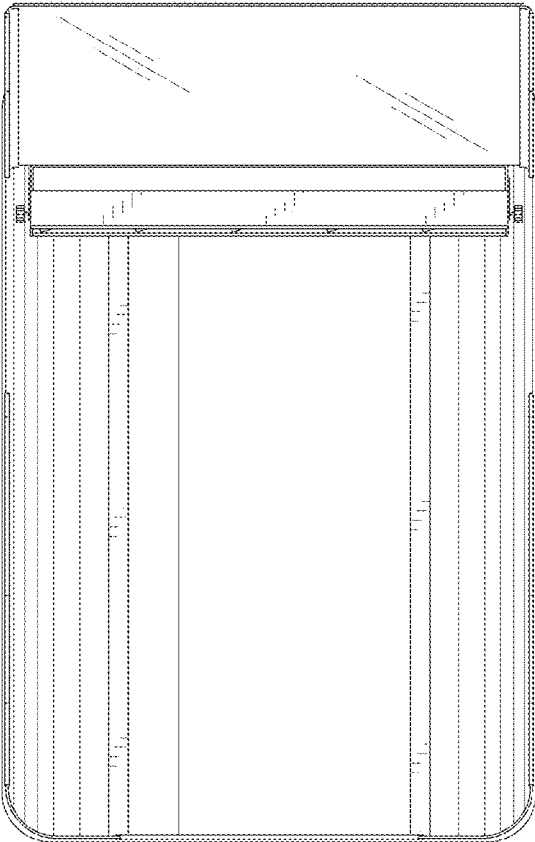


FIG. 6