



US0D1069086S

(12) **United States Design Patent**  
**Zhuang**

(10) **Patent No.:** **US D1,069,086 S**

(45) **Date of Patent:** **\*\* Apr. 1, 2025**

- (54) **FAN**
- (71) Applicant: **Yanchun Zhuang**, Puning (CN)
- (72) Inventor: **Yanchun Zhuang**, Puning (CN)
- (\*\*) Term: **15 Years**
- (21) Appl. No.: **29/976,542**

D1,042,785 S \* 9/2024 Zeng ..... D23/381  
 D1,050,403 S \* 11/2024 Ma ..... D23/370  
 D1,052,072 S \* 11/2024 Wu ..... D23/381  
 D1,053,337 S \* 12/2024 Deng ..... D23/381  
 D1,058,798 S \* 1/2025 Liu ..... D23/382  
 2015/0247644 A1\* 9/2015 Stearns ..... F24F 5/0035  
 261/37  
 2018/0149378 A1\* 5/2018 Schock ..... F24F 7/007  
 2024/0072707 A1\* 2/2024 Strommen ..... F04D 27/004

\* cited by examiner

*Primary Examiner* — Janice Hallmark

- (22) Filed: **Dec. 3, 2024**
- (51) **LOC (15) Cl.** ..... **23-04**
- (52) **U.S. Cl.**  
USPC ..... **D23/381; D23/328**
- (58) **Field of Classification Search**  
USPC ..... D23/328, 370, 381–383, 411; D26/59  
CPC ..... F24F 6/14; F24F 1/30; B05B 9/03; B05B  
1/30  
See application file for complete search history.

(57) **CLAIM**

The ornamental design for a fan, as shown and described.

**DESCRIPTION**

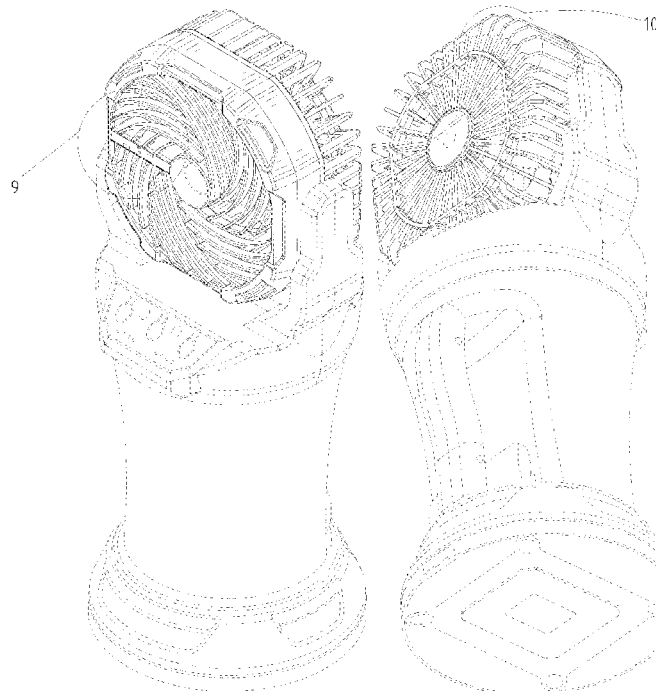
FIG. 1 is a first perspective view of a fan showing my new design;  
 FIG. 2 is a second perspective view thereof;  
 FIG. 3 is a front view thereof;  
 FIG. 4 is a back view thereof;  
 FIG. 5 is a left side view thereof;  
 FIG. 6 is a right side view thereof;  
 FIG. 7 is a top view thereof;  
 FIG. 8 is a bottom view thereof;  
 FIG. 9 is an enlarged view of the selected portion 9 in FIG. 1; and,  
 FIG. 10 is an enlarged view of the selected portion 10 in FIG. 2.  
 The dash-dash broken lines shown in the drawings depict portions of the fan that form no part of the claimed design. The dot-dash broken lines in FIGS. 1, 2, 9 and 10 illustrate the periphery of the enlarged views of the fan and form no part of the claimed design.

(56) **References Cited**

**U.S. PATENT DOCUMENTS**

|                 |         |                  |           |
|-----------------|---------|------------------|-----------|
| D783,796 S      | 4/2017  | Badarello et al. |           |
| D847,573 S *    | 5/2019  | Xu               | D23/382   |
| D868,327 S *    | 11/2019 | Wu               | D26/59    |
| 10,527,301 B2 * | 1/2020  | Schock           | F24F 6/16 |
| D893,698 S *    | 8/2020  | Lin              | D23/381   |
| D919,075 S *    | 5/2021  | Lin              | D23/381   |
| D952,116 S      | 5/2022  | Cai              |           |
| D974,540 S *    | 1/2023  | Tang             | D23/381   |
| D991,428 S *    | 7/2023  | Lin              | D23/381   |
| D992,719 S *    | 7/2023  | Lin              | D23/382   |
| D997,332 S      | 8/2023  | Fan              |           |
| D997,337 S *    | 8/2023  | Mei              | D23/382   |
| D1,010,793 S *  | 1/2024  | Zeng             | D23/370   |
| D1,013,149 S *  | 1/2024  | Wei              | D23/381   |
| D1,023,285 S *  | 4/2024  | Lin              | D23/381   |

**1 Claim, 10 Drawing Sheets**



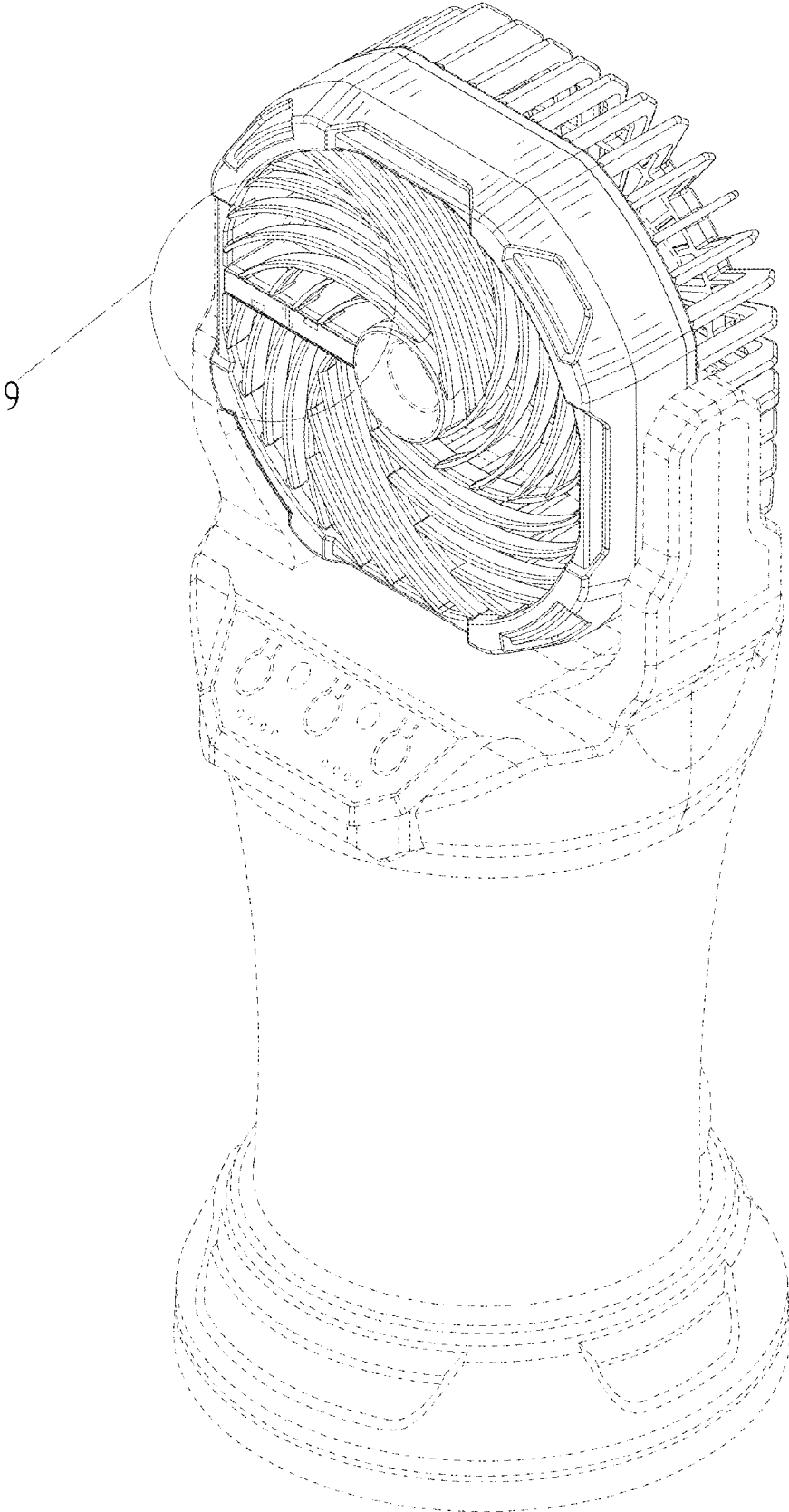


FIG. 1

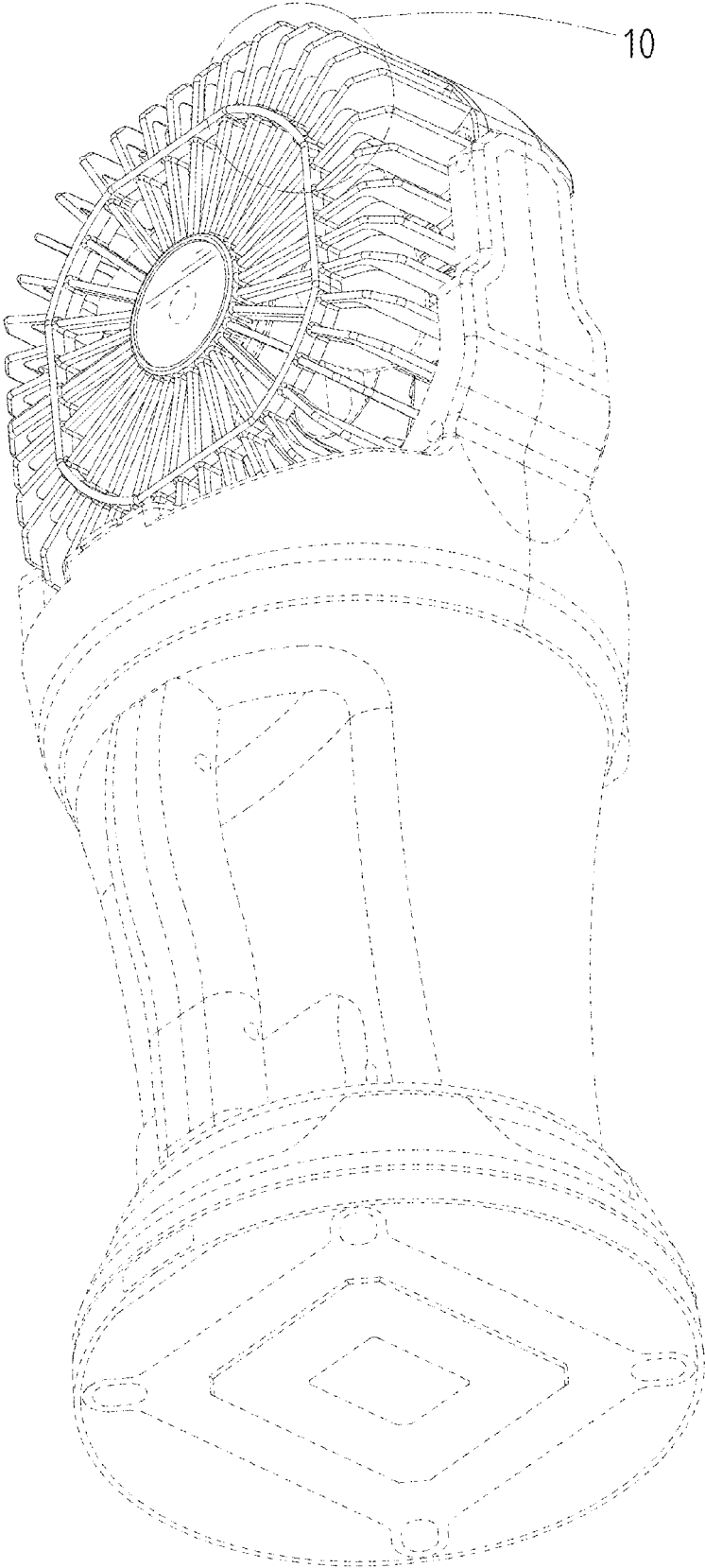


FIG. 2

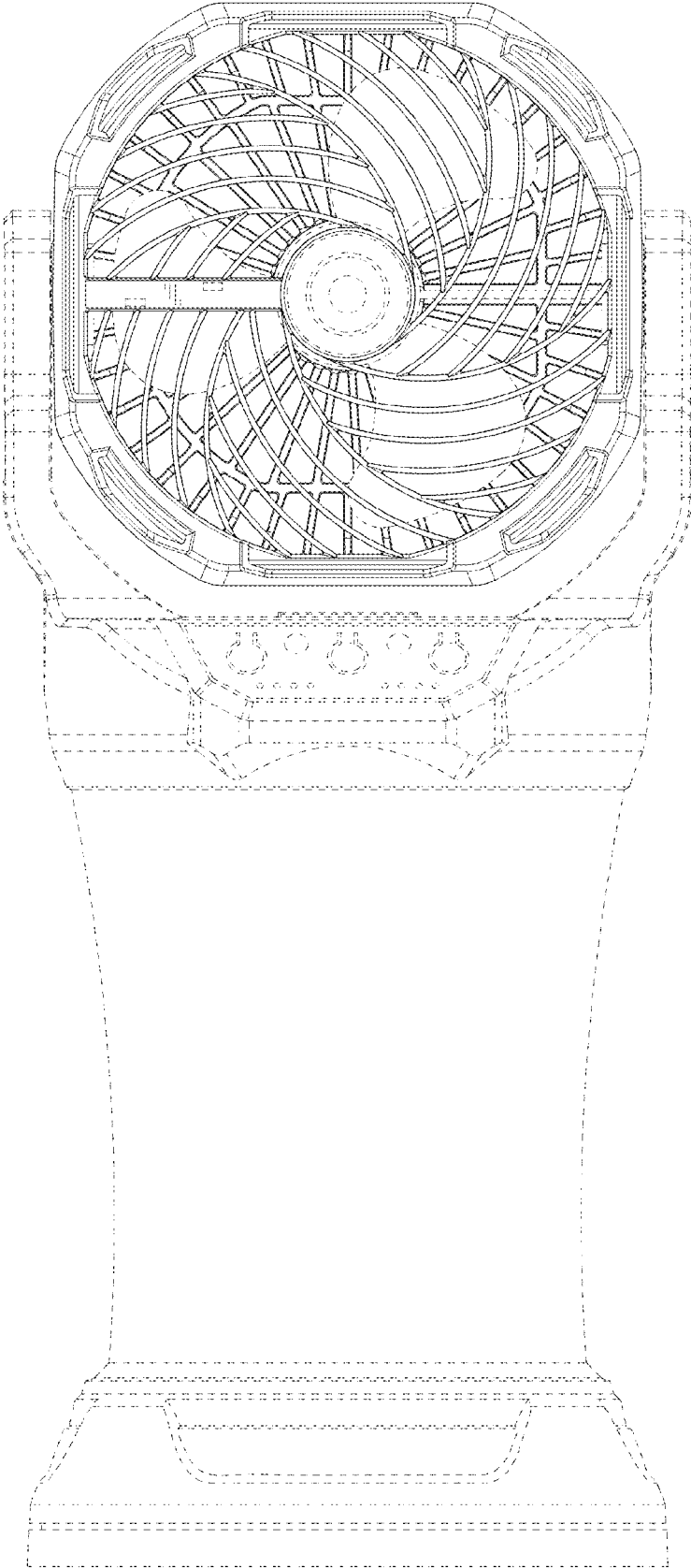


FIG. 3

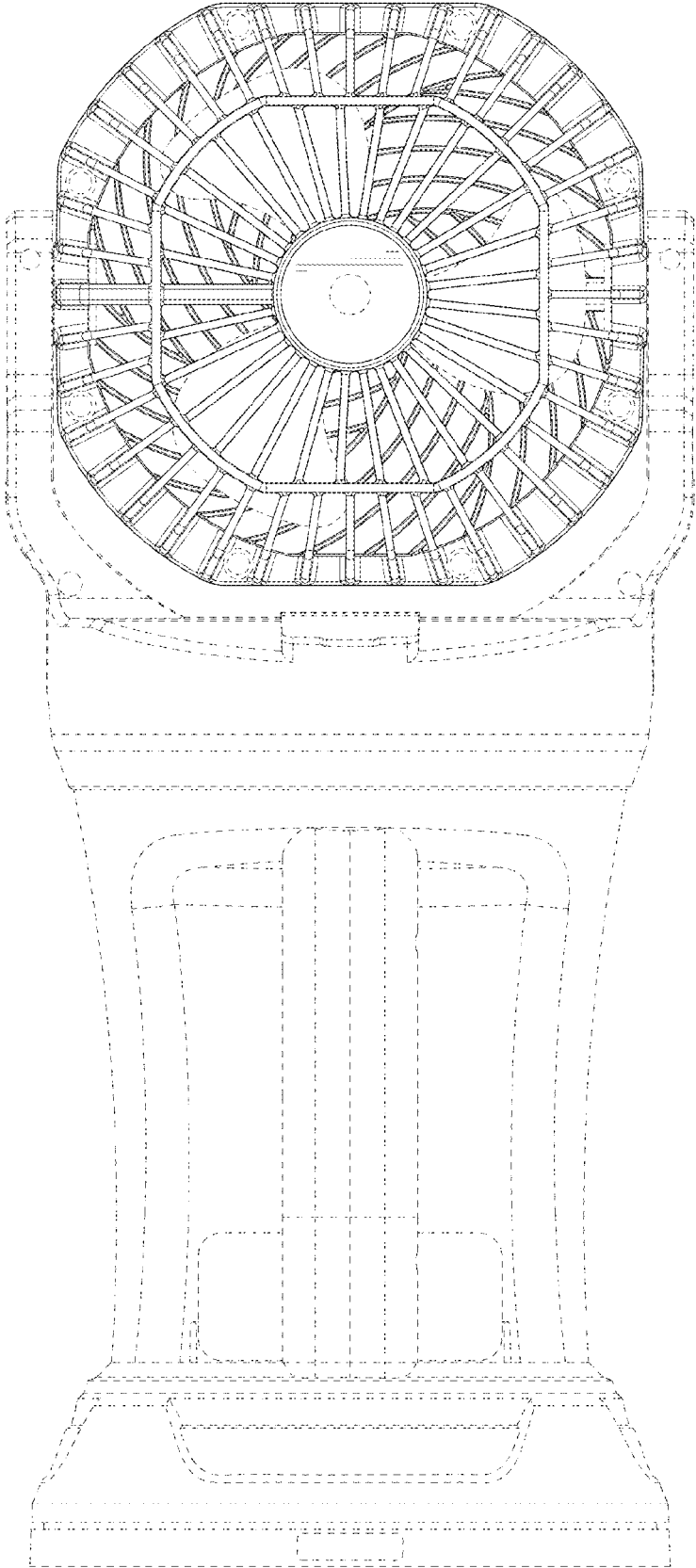


FIG. 4

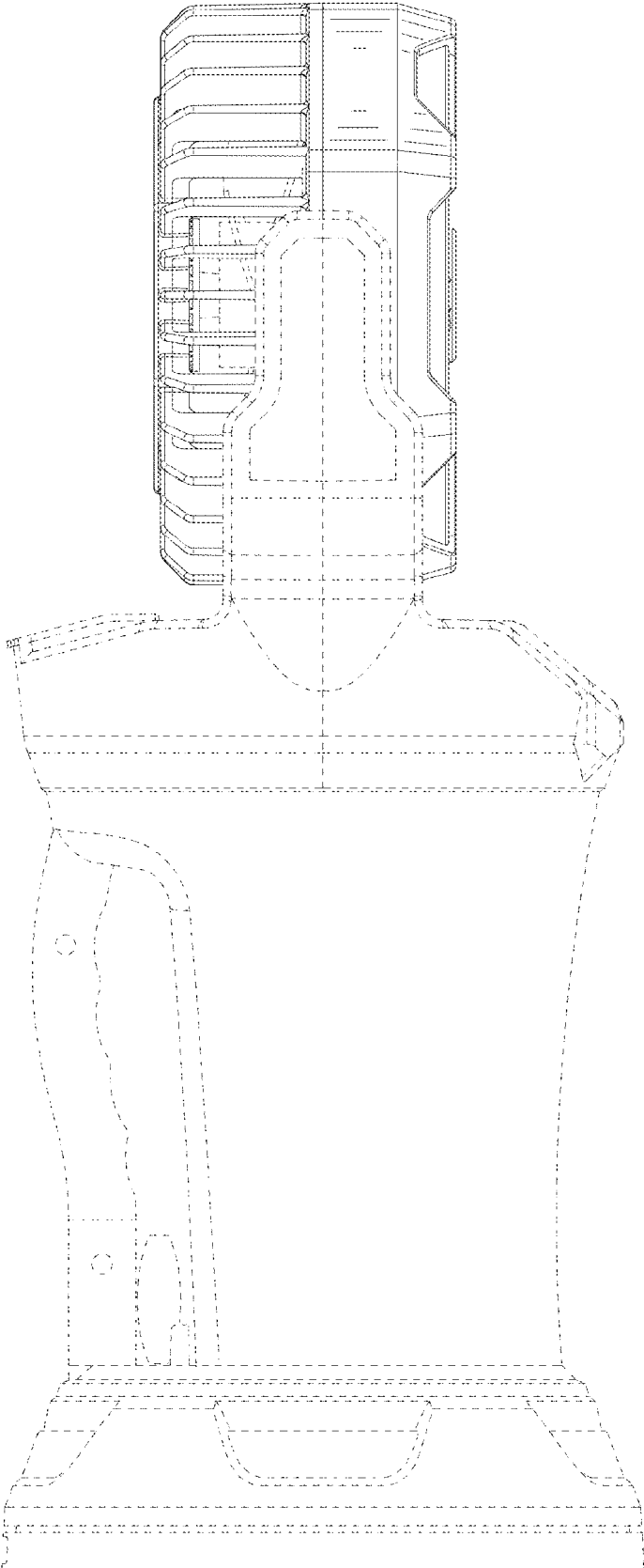


FIG. 5

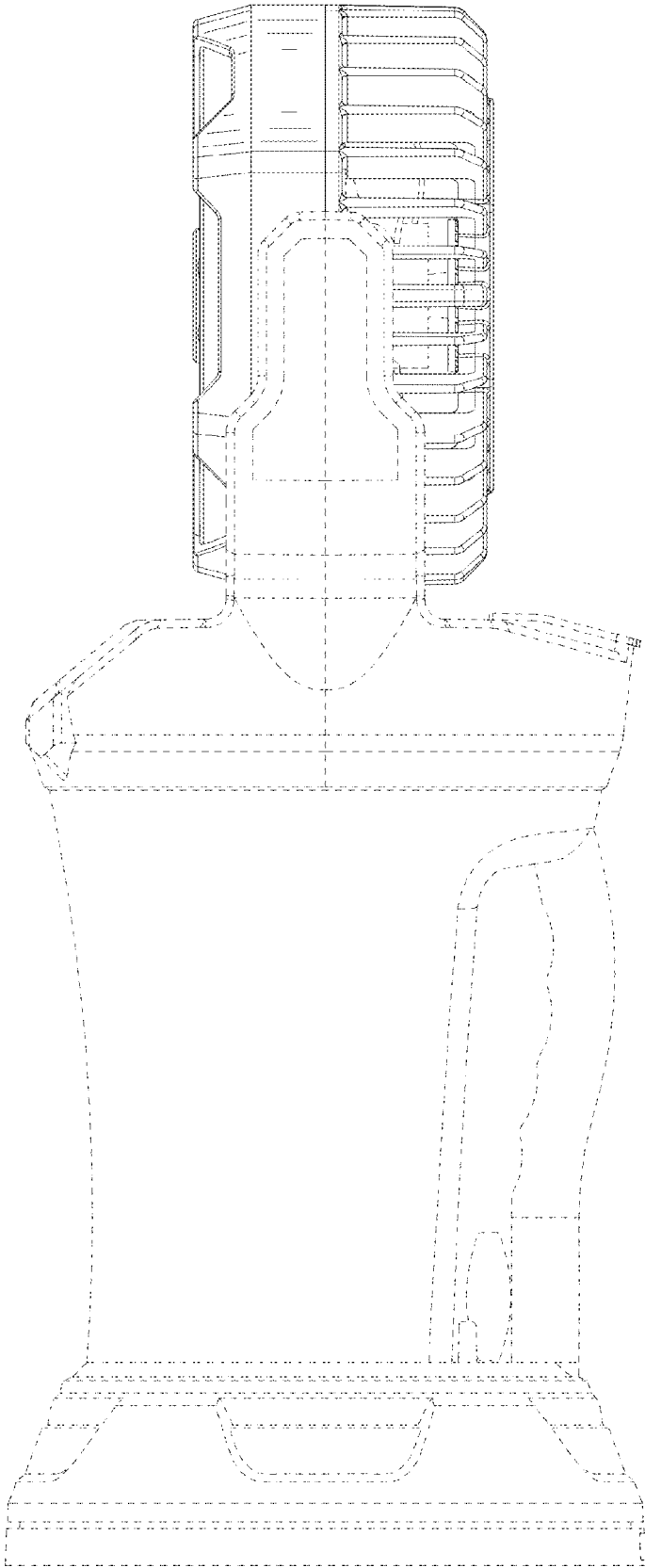


FIG. 6

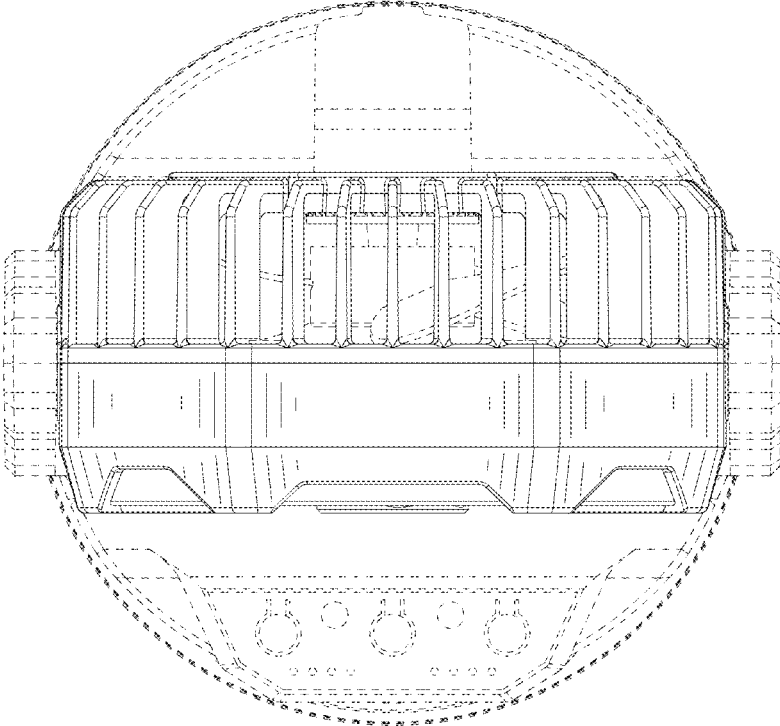


FIG. 7

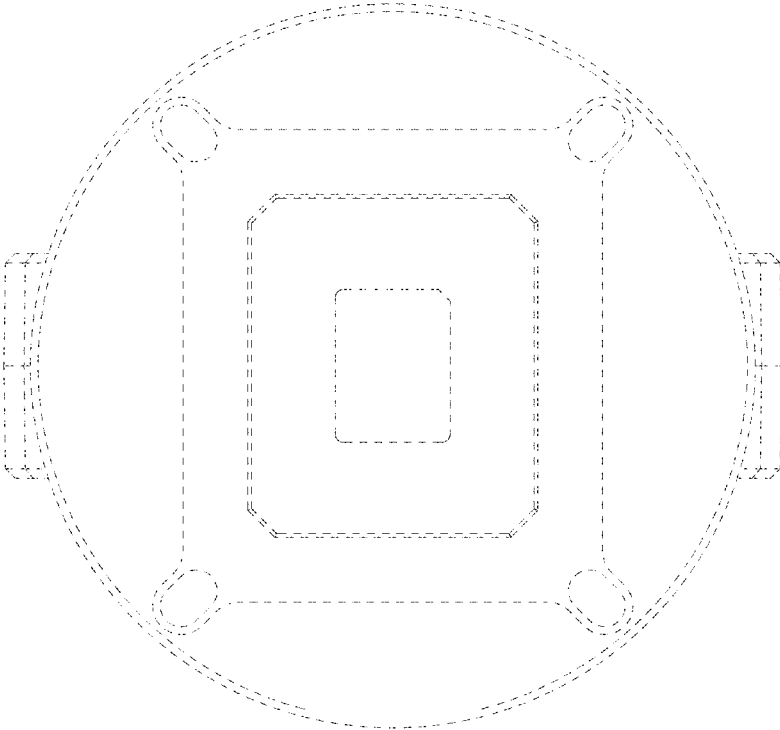


FIG. 8

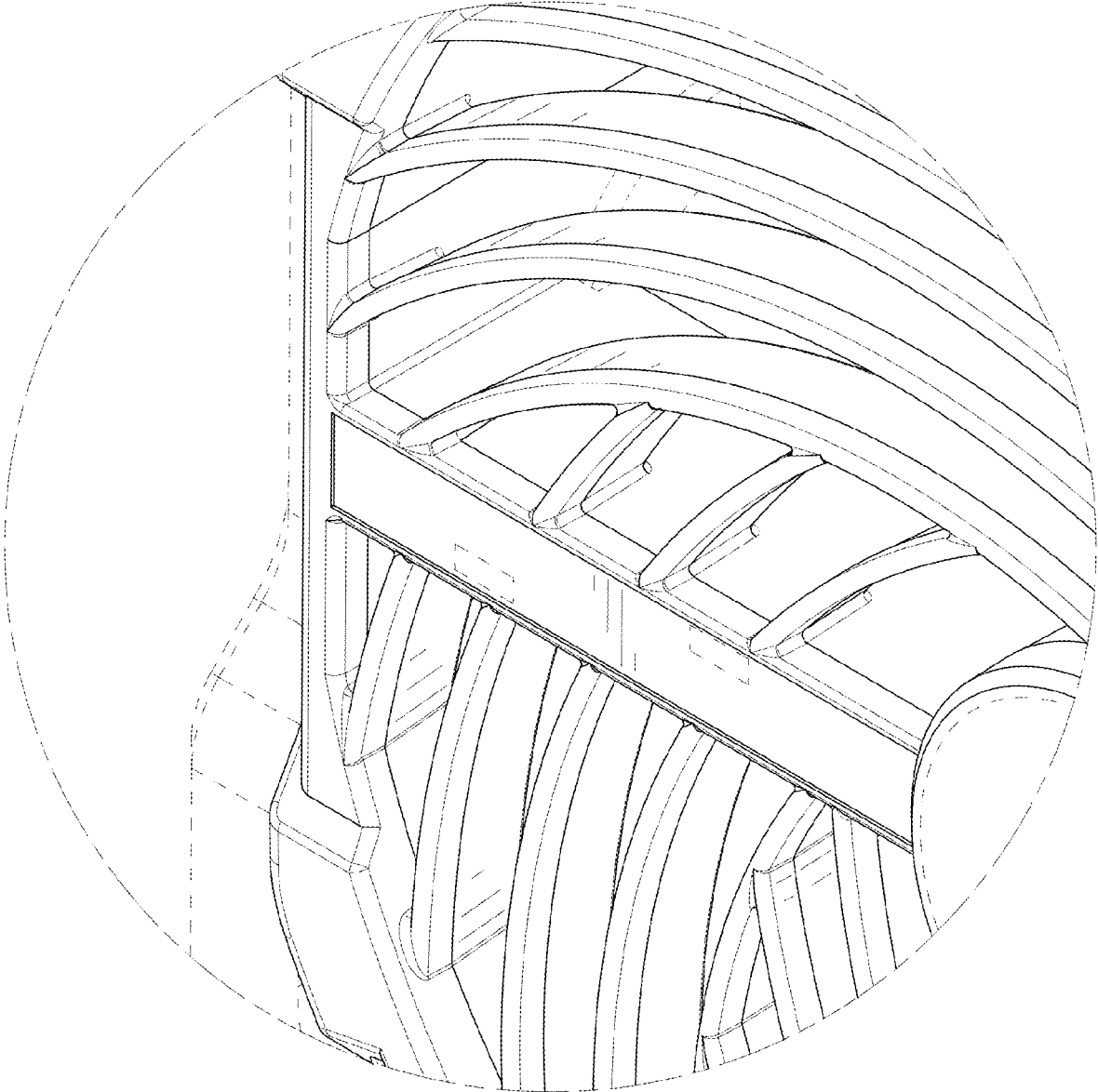


FIG. 9

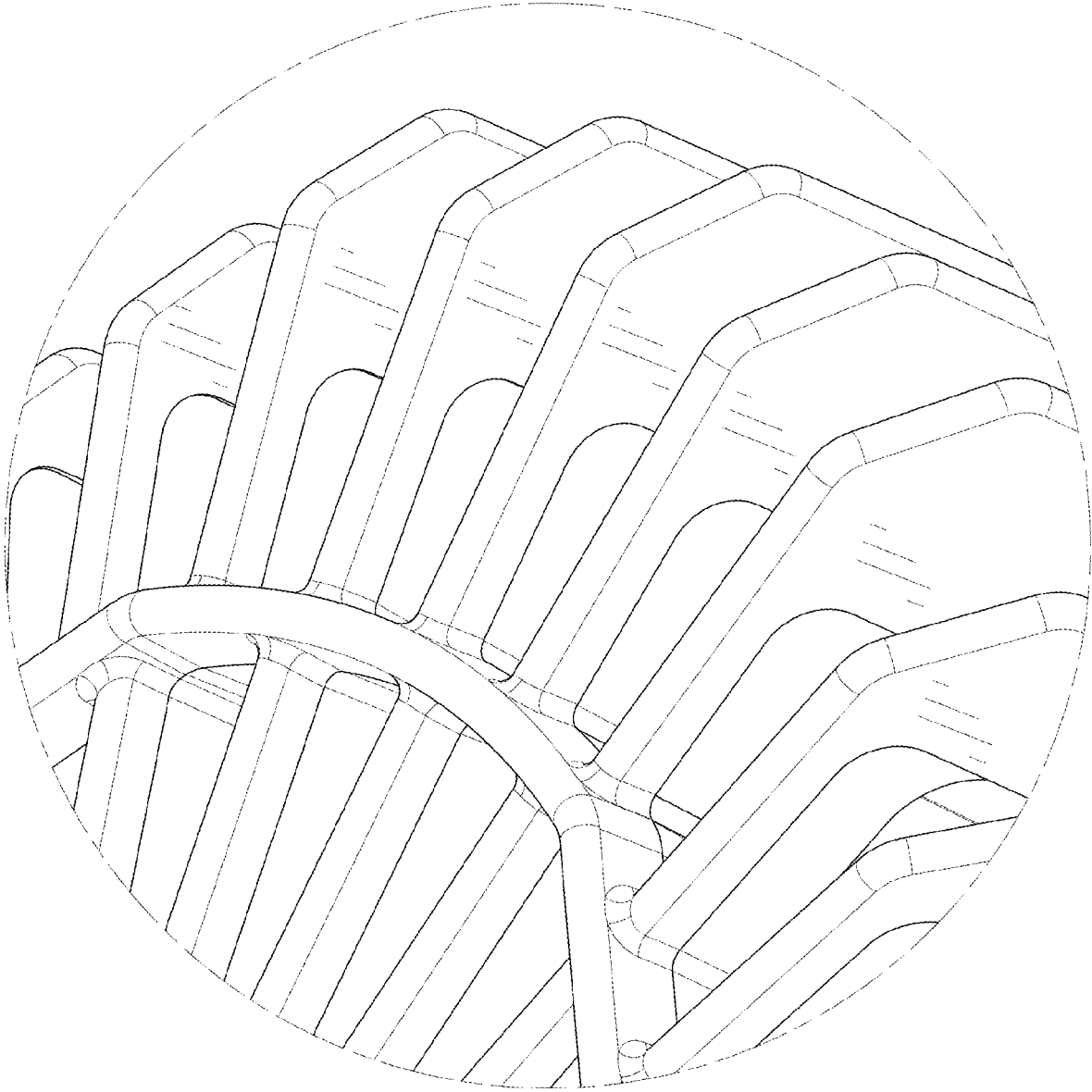


FIG. 10