

(19) World Intellectual Property Organization
International Bureau



(43) International Publication Date
13 December 2007 (13.12.2007)

PCT

(10) International Publication Number
WO 2007/143520 A3

(51) International Patent Classification:
G01L 1/00 (2006.01)

(21) International Application Number:
PCT/US2007/070170

(22) International Filing Date: 1 June 2007 (01.06.2007)

(25) Filing Language: English

(26) Publication Language: English

(30) Priority Data:
11/446,568 2 June 2006 (02.06.2006) US

(71) Applicant (for all designated States except US): **THE BOARD OF TRUSTEES OF THE LELAND STANFORD JUNIOR UNIVERSITY** [US/US]; 1705 El Camino Real, Palo Alto, CA 94306-1106 (US).

(72) Inventors: **MELAMUD, Renata**; 121 Pope Street, Menlo Park, CA 94025 (US). **KIM, Bongsang**; 1911 California Street, Apt. 11, Mountain View, CA 94040 (US). **HOPCROFT, Matt**; 848 42nd Avenue, San Francisco, CA 94121 (US). **CHANDORKAR, Saurabh**; 238 Ayshire Farm Lane, Apt. 101, Stanford, CA 94305 (US). **AGARWAL, Manu**; 238 Ayshire Farm Lane, Apt. 101, Stanford, CA 94305 (US). **KENNY, Thomas, W.**; 132 Devonshire Blvd., San Carlos, CA 94070 (US).

(74) Agent: **CRAWFORD, Robert, J.**; Crawford Maunu PLLC, 1150 Northland Drive, Suite 100, St. Paul, MN 55120 (US).

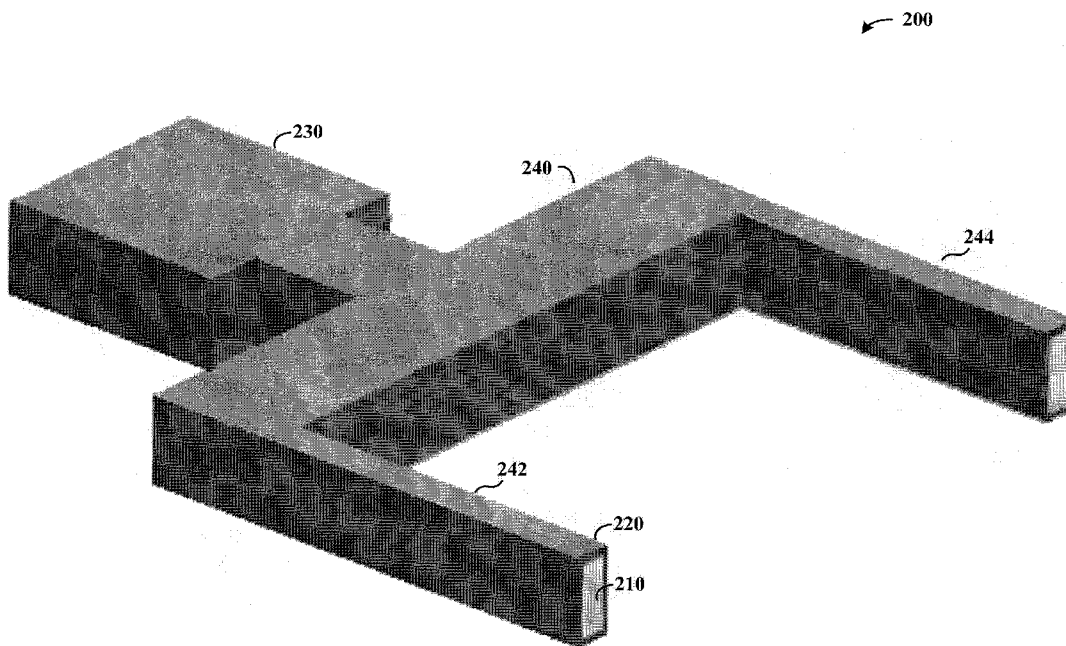
(81) Designated States (unless otherwise indicated, for every kind of national protection available): AE, AG, AL, AM, AT, AU, AZ, BA, BB, BG, BH, BR, BW, BY, BZ, CA, CH, CN, CO, CR, CU, CZ, DE, DK, DM, DO, DZ, EC, EE, EG, ES, FI, GB, GD, GE, GH, GM, GT, HN, HR, HU, ID, IL, IN, IS, JP, KE, KG, KM, KN, KP, KR, KZ, LA, LC, LK, LR, LS, LT, LU, LY, MA, MD, ME, MG, MK, MN, MW, MX, MY, MZ, NA, NG, NI, NO, NZ, OM, PG, PH, PL, PT, RO, RS, RU, SC, SD, SE, SG, SK, SL, SM, SV, SY, TJ, TM, TN, TR, TT, TZ, UA, UG, US, UZ, VC, VN, ZA, ZM, ZW.

(84) Designated States (unless otherwise indicated, for every kind of regional protection available): ARIPO (BW, GH, GM, KE, LS, MW, MZ, NA, SD, SL, SZ, TZ, UG, ZM, ZW), Eurasian (AM, AZ, BY, KG, KZ, MD, RU, TJ, TM), European (AT, BE, BG, CH, CY, CZ, DE, DK, EE, ES, FI, FR, GB, GR, HU, IE, IS, IT, LT, LU, LV, MC, MT, NL, PL, PT, RO, SE, SI, SK, TR), OAPI (BF, BJ, CF, CG, CI, CM, GA, GN, GQ, GW, ML, MR, NE, SN, TD, TG).

Published:
— with international search report

[Continued on next page]

(54) Title: COMPOSITE MECHANICAL TRANSDUCERS AND APPROACHES THEREFOR



(57) Abstract: Mechanical transducers such as pressure sensors, resonators or other frequency- reference devices are implemented under conditions characterized by different temperatures. According to an example embodiment of the present invention, a combination of materials (e.g., 132, 134) is implemented for mechanical transducer applications to mitigate temperature-related changes. In one application, a material property mismatch is used to facilitate single-anchor transducer applications (e.g., 600, 612), such as for resonators. Another application is directed to a Silicon-Silicon dioxide combination of materials.



WO 2007/143520 A3



(88) Date of publication of the international search report:
26 February 2009

INTERNATIONAL SEARCH REPORT

International application No.

PCT/US2007/070170

A. CLASSIFICATION OF SUBJECT MATTER

IPC(8) - G01L 1/00 (2008.04)

USPC - 73/766

According to International Patent Classification (IPC) or to both national classification and IPC

B. FIELDS SEARCHED

Minimum documentation searched (classification system followed by classification symbols)

IPC(8) - G01L 1/00 (2008.04)

USPC - 73/766

Documentation searched other than minimum documentation to the extent that such documents are included in the fields searched

Electronic data base consulted during the international search (name of data base and, where practicable, search terms used)

MicroPatent, Google Patents

C. DOCUMENTS CONSIDERED TO BE RELEVANT

Category*	Citation of document, with indication, where appropriate, of the relevant passages	Relevant to claim No.
X	US 6,557,419 B1 (HERB et al) 06 May 2003 (06.05.2003) entire document	1, 3, 4, 20, 22, 24, 25

Y		2, 5-19, 21, 23, 26-30
Y	US 6,987,432 B2 (LUTZ et al) 17 January 2006 (17.01.2006) entire document	10, 14, 15-19
Y	US 6,420,820 B1 (LARSON, III) 16 July 2002 (16.07.2002) entire document	2, 21
Y	US 2003/0020565 A1 (CORNETT et al) 30 January 2003 (30.01.2003) entire document	11
Y	US 6,922,272 B1 (de GROOT et al) 26 July 2005 (26.07.2005) entire document	23
Y	CANDLER et al Single Wafer Encapsulation of MEMS Devices IEEE Transactions on Advanced Packaging Vol. 26, No. 3 August 2003 pages 227-232	5-19, 26-30

 Further documents are listed in the continuation of Box C.


* Special categories of cited documents:

"A" document defining the general state of the art which is not considered to be of particular relevance

"E" earlier application or patent but published on or after the international filing date

"L" document which may throw doubts on priority claim(s) or which is cited to establish the publication date of another citation or other special reason (as specified)

"O" document referring to an oral disclosure, use, exhibition or other means

"P" document published prior to the international filing date but later than the priority date claimed

"T" later document published after the international filing date or priority date and not in conflict with the application but cited to understand the principle or theory underlying the invention

"X" document of particular relevance; the claimed invention cannot be considered novel or cannot be considered to involve an inventive step when the document is taken alone

"Y" document of particular relevance; the claimed invention cannot be considered to involve an inventive step when the document is combined with one or more other such documents, such combination being obvious to a person skilled in the art

"&" document member of the same patent family

Date of the actual completion of the international search

07 November 2008

Date of mailing of the international search report

28 NOV 2008

Name and mailing address of the ISA/US

Mail Stop PCT, Attn: ISA/US, Commissioner for Patents

P.O. Box 1450, Alexandria, Virginia 22313-1450

Facsimile No. 571-273-3201

Authorized officer:

Blaine R. Copenheaver

PCT Helpdesk: 571-272-4300

PCT OSP: 571-272-7774