



US00D652147S

(12) **United States Design Patent**
Isozaki

(10) **Patent No.:** **US D652,147 S**

(45) **Date of Patent:** **** Jan. 10, 2012**

(54) **MEDICAL IMMUNOASSAY DEVICE**

(75) Inventor: **Makoto Isozaki**, Kanagawa (JP)

(73) Assignee: **Fujifilm Corporation**, Tokyo (JP)

(**) Term: **14 Years**

(21) Appl. No.: **29/381,761**

(22) Filed: **Dec. 22, 2010**

(30) **Foreign Application Priority Data**

Jun. 23, 2010 (JP) 2010-015388

(51) **LOC (9) Cl.** **24-01**

(52) **U.S. Cl.** **D24/216**

(58) **Field of Classification Search** D24/216,
D24/224, 231, 232, 186, 107, 169, 217, 233;
D10/46, 81; 422/500, 547, 62-65, 67; 435/287.1,
435/287.3; 436/43, 45, 47

See application file for complete search history.

(56) **References Cited**

U.S. PATENT DOCUMENTS

4,626,684 A * 12/1986 Landa 250/328
5,055,408 A * 10/1991 Higo et al. 436/48

5,096,828 A * 3/1992 Ishizaka et al. 436/44
D330,596 S * 10/1992 Frenkel et al. D24/186
D339,636 S * 9/1993 Uchiyama D24/231
D431,867 S * 10/2000 Maynard et al. D24/216
D491,272 S * 6/2004 Alden et al. D24/216
D508,999 S * 8/2005 Fanning et al. D24/216
D523,153 S * 6/2006 Akashi et al. D24/232
D638,952 S * 5/2011 Oonuma et al. D24/216
2008/0014118 A1 * 1/2008 Kitagawa et al. 422/64
2009/0269841 A1 * 10/2009 Wojciechowski et al. . 435/289.1

* cited by examiner

Primary Examiner — Anhdao Doan

(74) *Attorney, Agent, or Firm* — Young & Thompson

(57) **CLAIM**

The ornamental design for a medical immunoassay device, as shown and described.

DESCRIPTION

FIG. 1 is a top, front and side perspective view of a medical immunoassay device showing my new design;

FIG. 2 is a front elevational view thereof;

FIG. 3 is a rear elevational view thereof;

FIG. 4 is a top plan view thereof;

FIG. 5 is a bottom plan view thereof; and,

FIG. 6 is a left side elevational view thereof.

1 Claim, 3 Drawing Sheets

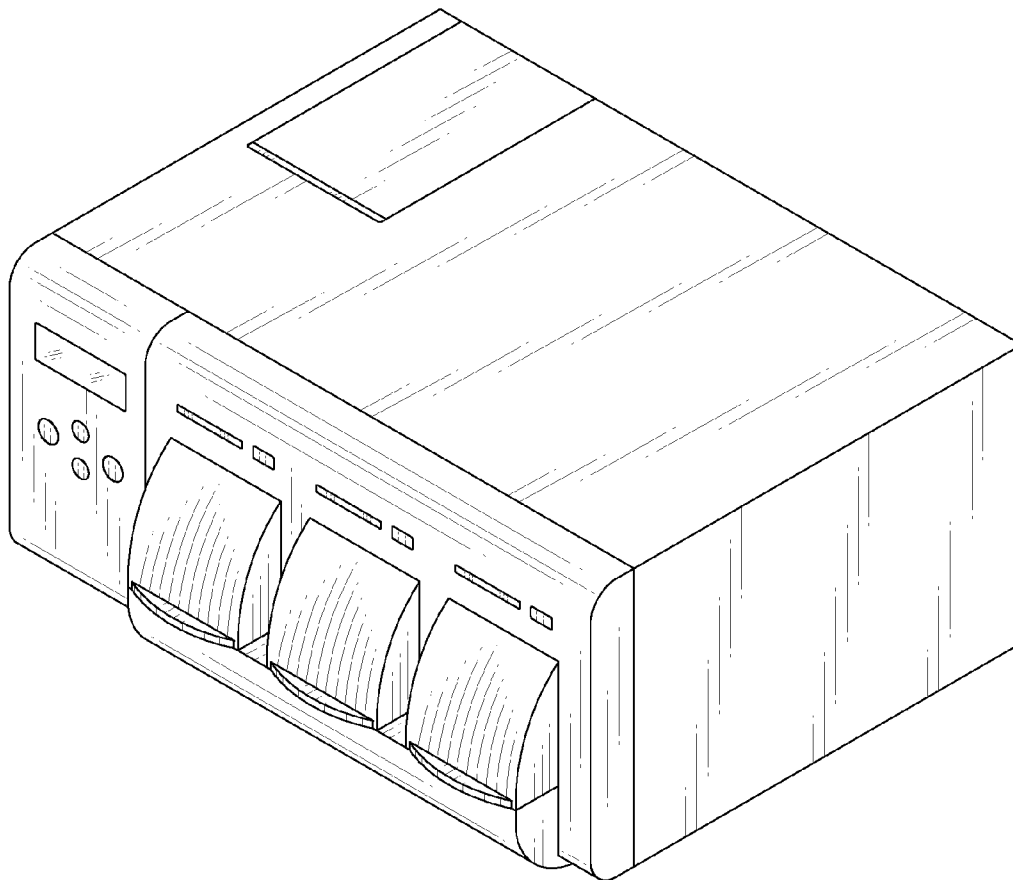


FIG. 1

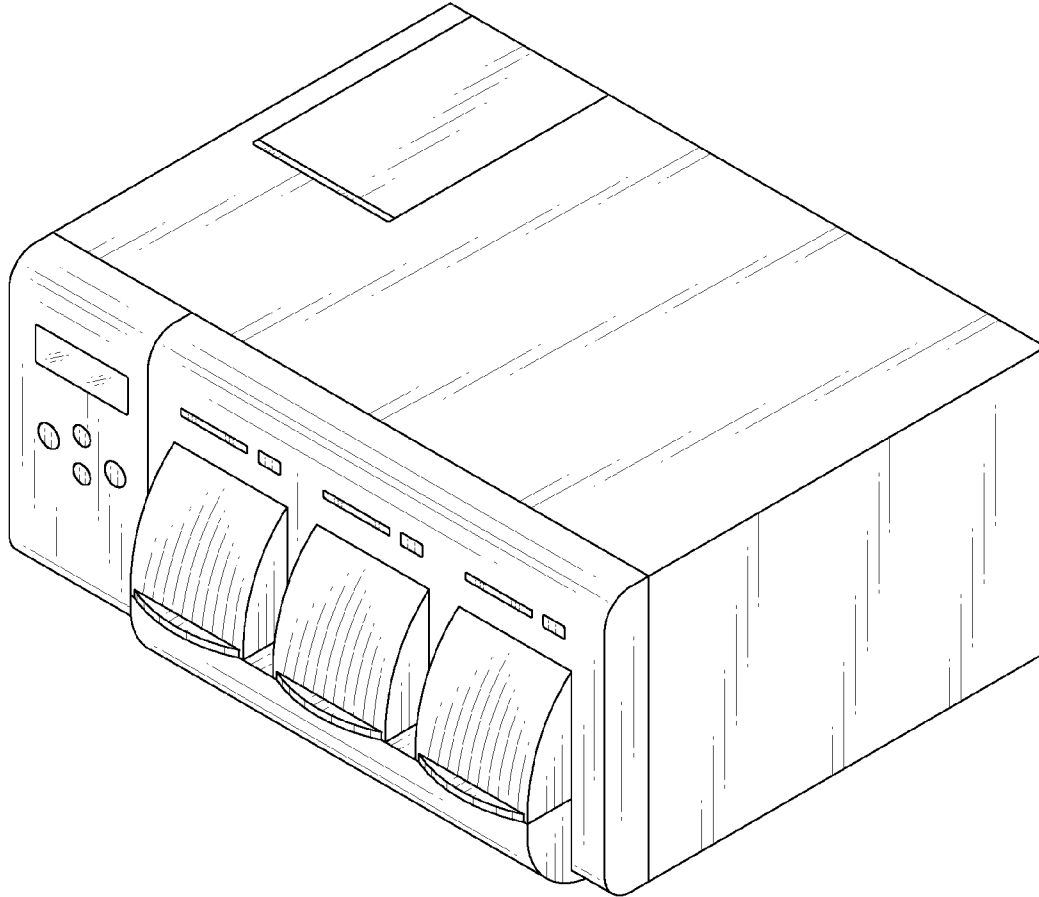


FIG. 2

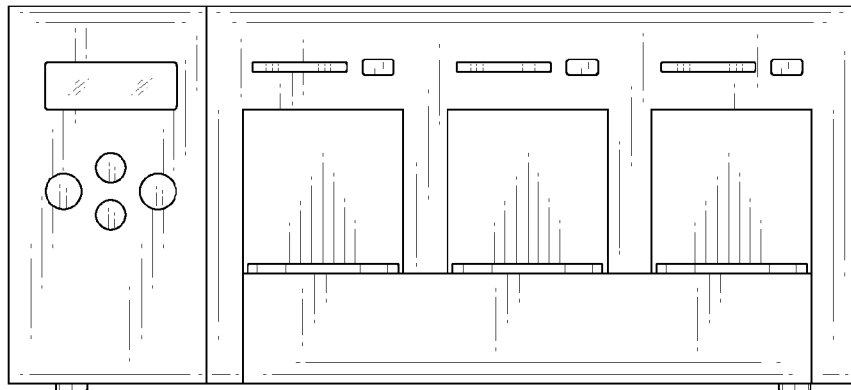


FIG. 3

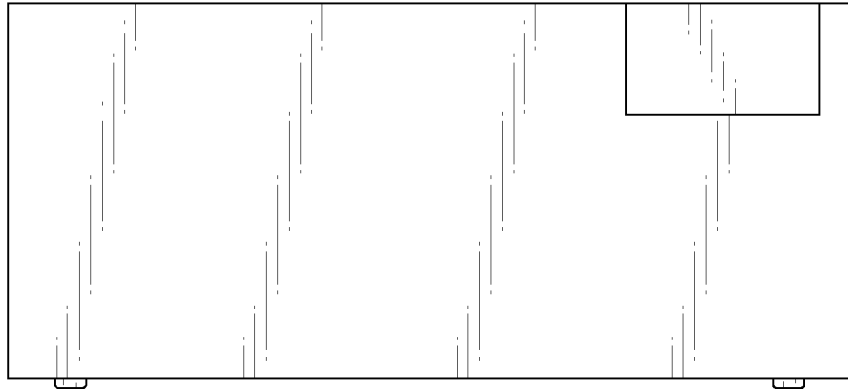


FIG. 4

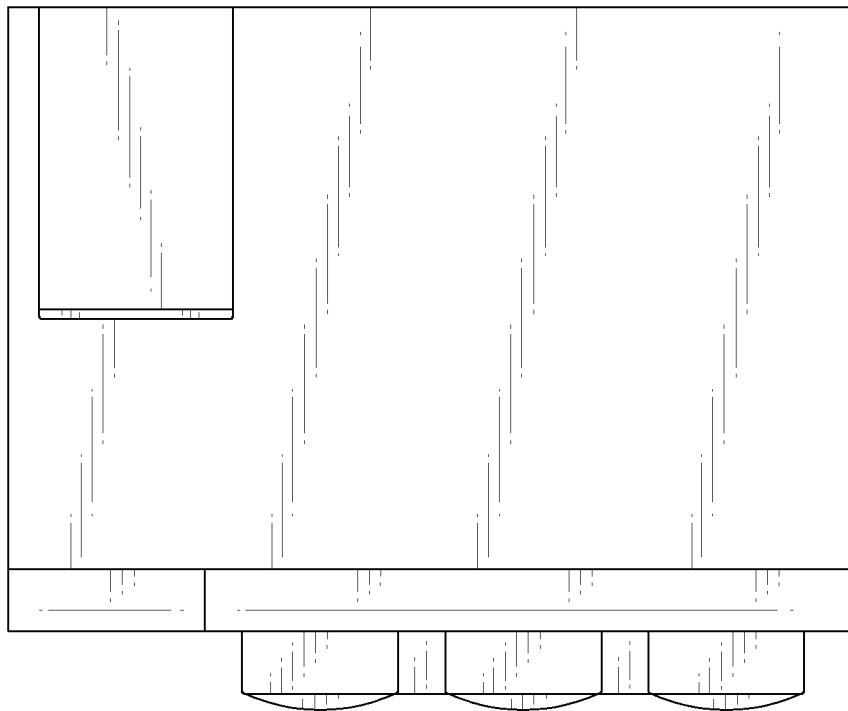


FIG. 5

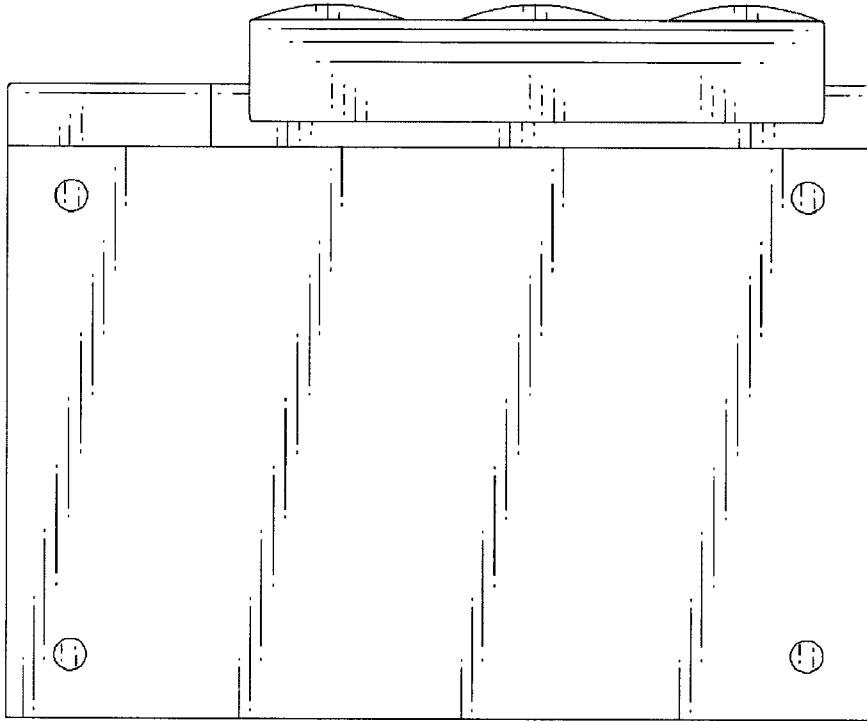


FIG. 6

