



(12) **United States Design Patent**  
**Liu**

(10) **Patent No.:** **US D1,008,652 S**  
(45) **Date of Patent:** **\*\* Dec. 26, 2023**

(54) **BELT CLIP TOOL HOLDER**

OTHER PUBLICATIONS

- (71) Applicant: **Guangrui Liu**, Ganzhou (CN)
- (72) Inventor: **Guangrui Liu**, Ganzhou (CN)
- (\*\*) Term: **15 Years**
- (21) Appl. No.: **29/821,160**
- (22) Filed: **Dec. 28, 2021**
- (51) **LOC (14) Cl.** ..... **03-01**
- (52) **U.S. Cl.**  
USPC ..... **D3/228**
- (58) **Field of Classification Search**  
USPC ..... D3/207-212, 215, 217, 218, 228, 230,  
D3/268, 272, 273; D9/423, 424, 425,  
D9/432  
CPC ..... A45C 2005/037; A45C 2005/032; A45C  
2005/035; A45C 5/04; A45F 2003/144;  
A45F 2200/0575  
See application file for complete search history.

Qulnexa Tape Measure Holder, posted at amazon.com, first available Nov. 30, 2021, retrieved on May 3, 2023, online, <https://www.amazon.com/Measure-Holder-Leather-Holster-Occidental/dp/B09GFJV2DW?th=1> (Year: 2021).\*

iGuerburn tape measure holder, posted at amazon.com, first available Jan. 20, 2022, retrieved on May 3, 2023, online, <https://www.amazon.com/dp/B09QSIH5N8?th=1> (Year: 2022).\*

TapeMaster tape measure holder, posted at amazon.com, first available Jan. 14, 2019, retrieved on May 3, 2023, online, <https://www.amazon.com/Holstery-TapeMaster-tactical-measure-holster/dp/B07MT5NF75> (Year: 2019).\*

\* cited by examiner

*Primary Examiner* — John R Yeh  
*Assistant Examiner* — Dustin Andrew Griffith

(57) **CLAIM**

The ornamental design for belt clip tool holder, substantially as shown and described.

(56) **References Cited**

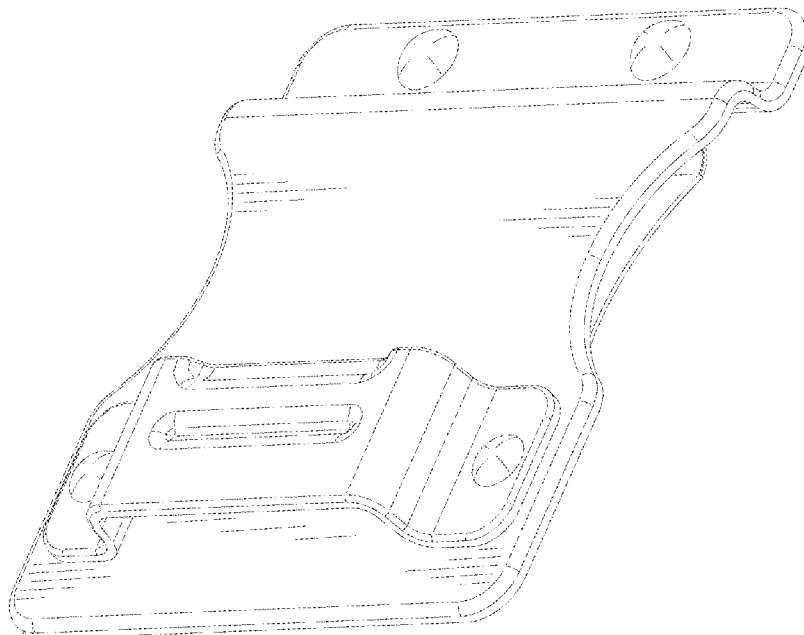
**DESCRIPTION**

U.S. PATENT DOCUMENTS

2,618,419	A *	11/1952	Vanish	.....	A45F 5/02
					224/904
D213,451	S *	3/1969	White	.....	D8/373
D221,123	S *	7/1971	Nicholas	.....	D3/228
D248,066	S *	6/1978	Hillinger	.....	D3/228
4,106,679	A *	8/1978	Hillinger	.....	B25H 3/00
					224/197
D253,019	S *	10/1979	Hillinger	.....	D3/228
D313,122	S *	12/1990	De Gray	.....	224/904
D359,848	S *	7/1995	Pounds	.....	D3/228
D452,071	S *	12/2001	Snider	.....	D3/228
D530,506	S *	10/2006	Thurner	.....	D3/228
D663,115	S *	7/2012	Hansen	.....	D3/228
10,611,017	B1 *	4/2020	Panosian	.....	A45C 13/00

FIG. 1 is a front, bottom and right side perspective view of belt clip tool holder, showing my new design;  
 FIG. 2 is a front view thereof;  
 FIG. 3 is a rear view thereof;  
 FIG. 4 is a left side view thereof;  
 FIG. 5 is a right side view thereof;  
 FIG. 6 is a top view thereof; and,  
 FIG. 7 is a bottom view thereof.  
 The dominant feature of my design resides in the tool clip device fixed on the waist belt, which is convenient for the user to safely store the tool in the belt clip tool holder, so that the user can take the item more quickly, as shown.

**1 Claim, 7 Drawing Sheets**



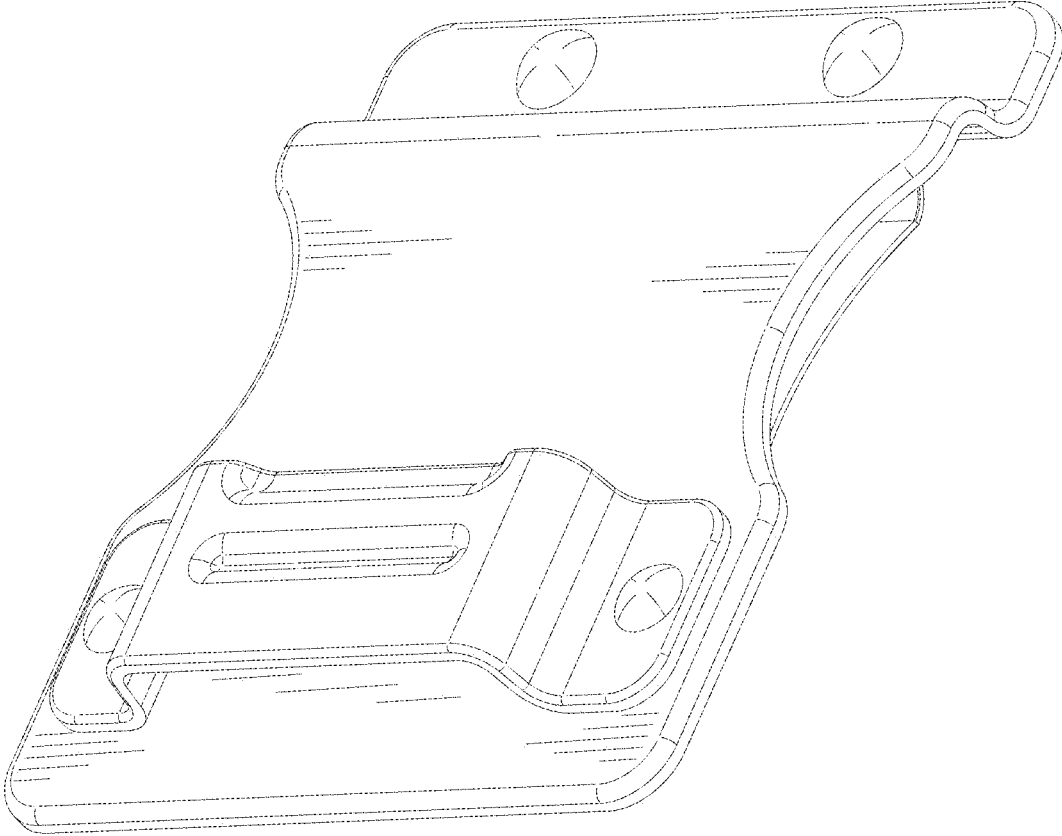


FIG. 1

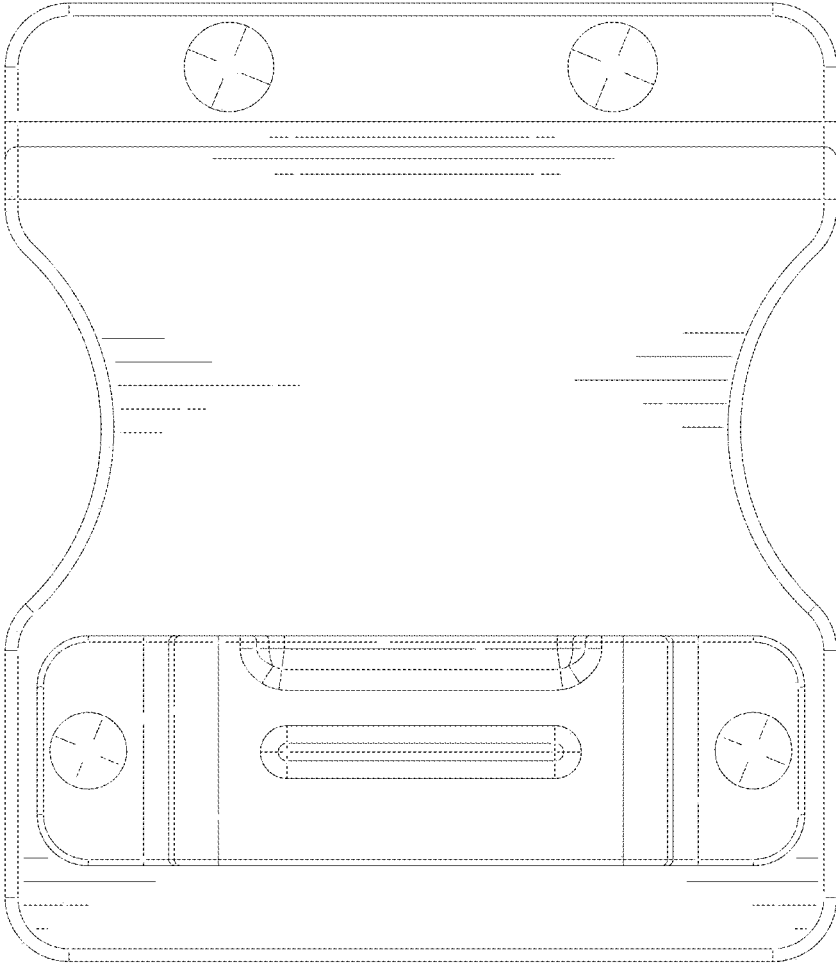


FIG. 2

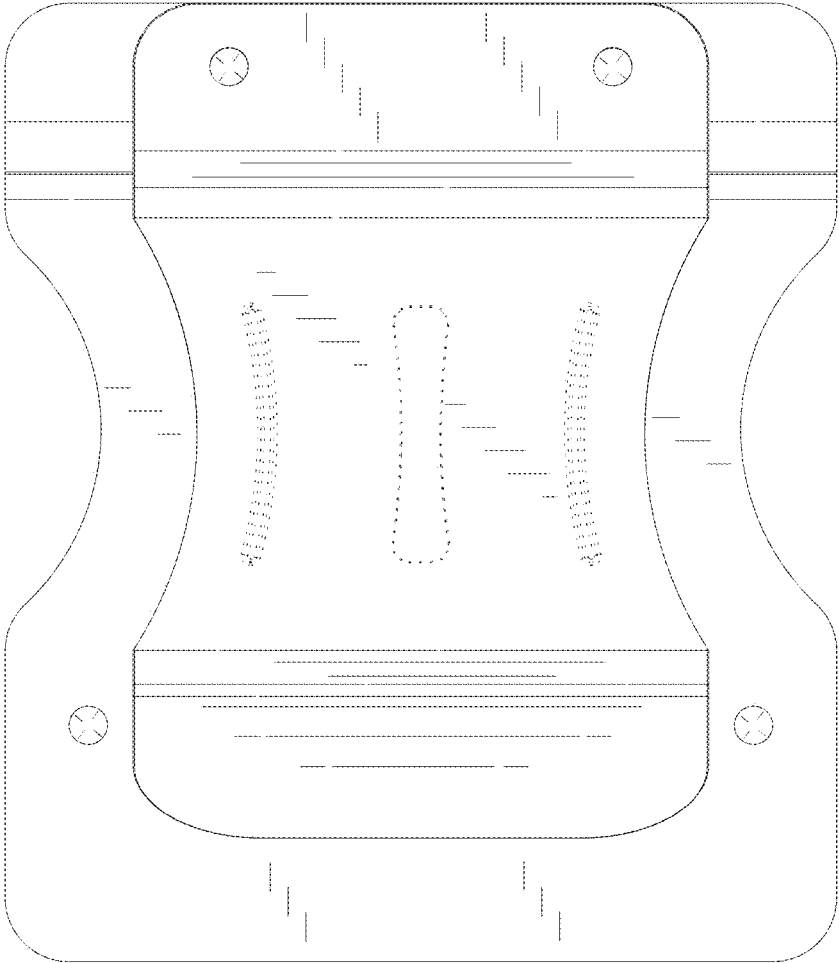


FIG. 3

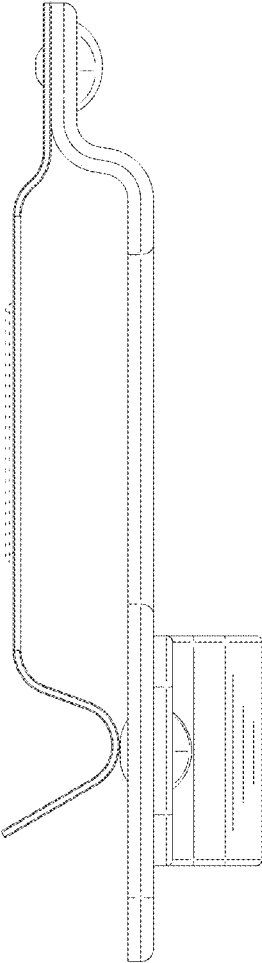


FIG. 4

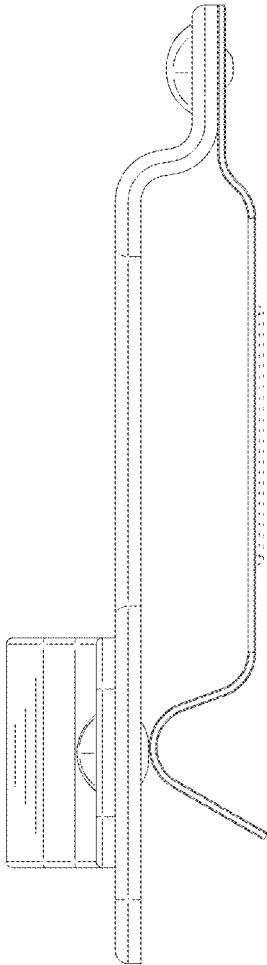


FIG. 5

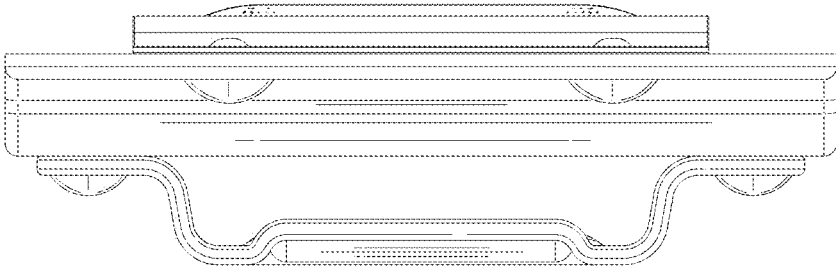


FIG. 6

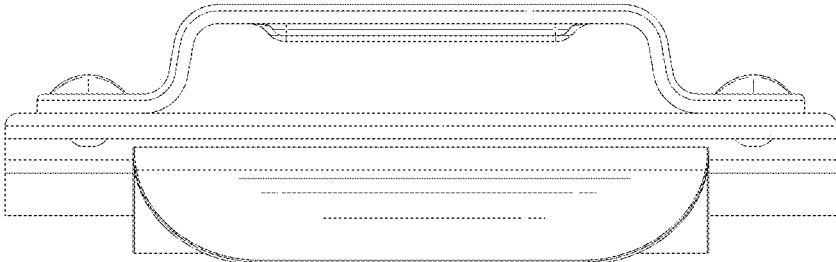


FIG. 7