



US00D737205S

(12) **United States Design Patent**  
**Hoppmann et al.**

(10) **Patent No.:** **US D737,205 S**

(45) **Date of Patent:** **\*\* Aug. 25, 2015**

(54) **ELECTRICAL CONNECTOR**

(56) **References Cited**

(71) Applicant: **Phoenix Contact GmbH & Co. KG,**  
Blomberg (DE)

U.S. PATENT DOCUMENTS

(72) Inventors: **Ralph Hoppmann,** Bad Oeynhausen  
(DE); **Martin Gebhardt,** Porta  
Westfalica (DE); **Detlef Toeberich,**  
Luegde (DE); **Holger Steinhage,**  
Steinheim (DE)

D496,631 S *	9/2004	Wu .....	D13/133
D550,625 S *	9/2007	Osborn et al. ....	D13/133
D550,626 S *	9/2007	Osborn et al. ....	D13/133
D568,245 S *	5/2008	Kudo .....	D13/133
D569,343 S *	5/2008	Hung et al. ....	D13/133
D582,348 S *	12/2008	Shiu .....	D13/154
D634,273 S *	3/2011	Damon .....	D13/120

(73) Assignee: **PHOENIX CONTACT GMBH & CO.**  
**KG,** Blomberg (DE)

*Primary Examiner* — Ian Simmons

*Assistant Examiner* — Khawaja Anwar

(\*\*) Term: **14 Years**

(74) *Attorney, Agent, or Firm* — Leydig, Voit & Mayer, Ltd.

(21) Appl. No.: **29/466,446**

(57) **CLAIM**

The ornamental design for an electrical connector, as shown and described.

(22) Filed: **Sep. 9, 2013**

**DESCRIPTION**

(30) **Foreign Application Priority Data**

Mar. 11, 2013 (EM) ..... 002200451-0003

(51) **LOC (10) Cl.** ..... **13-03**

(52) **U.S. Cl.**  
USPC ..... **D13/133**

(58) **Field of Classification Search**

USPC ..... D13/133, 146, 147, 154, 156, 184;  
439/180, 252, 278, 280, 290–293, 328,  
439/374, 375, 378, 483, 489, 491, 500, 525,  
439/529, 533, 592, 593, 680, 892, 894

FIG. 1 is a top left front perspective view of the electrical connector showing our new design;  
FIG. 2 is a bottom plan view thereof;  
FIG. 3 is a front elevational view thereof;  
FIG. 4 is a left side elevational view thereof;  
FIG. 5 is a rear elevational view thereof;  
FIG. 6 is a right side elevational view thereof; and,  
FIG. 7 is a top plan view thereof.

The broken lines in the drawings are included to show unclaimed subject matter only and form no part of the claimed design.

See application file for complete search history.

**1 Claim, 7 Drawing Sheets**

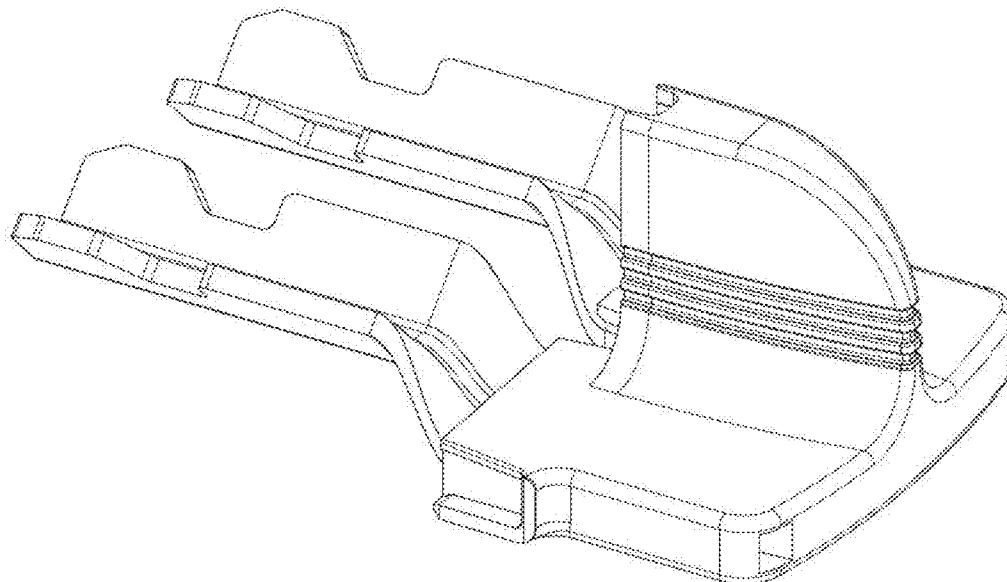


Fig. 1

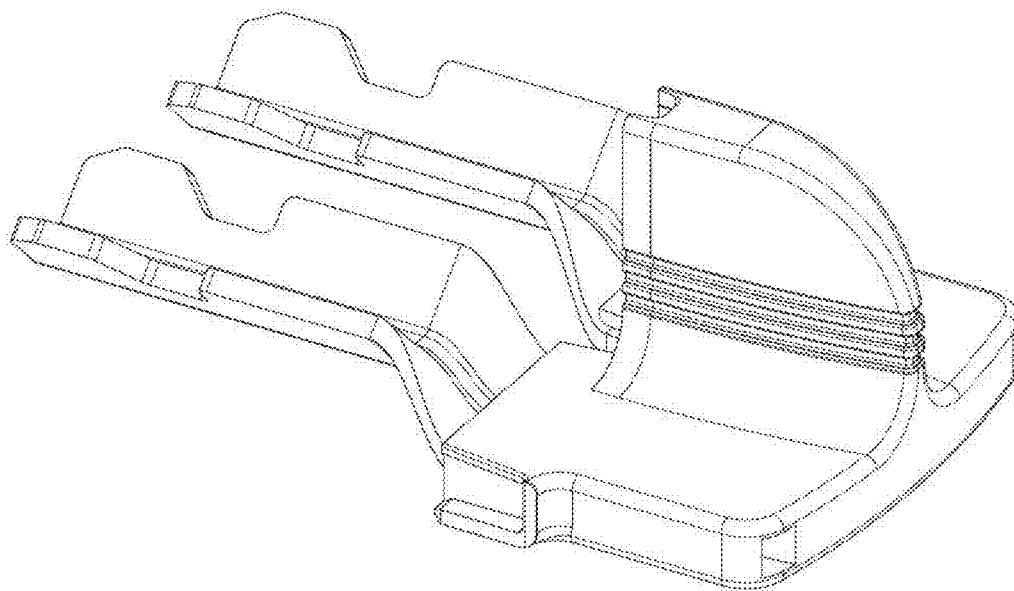


Fig. 2

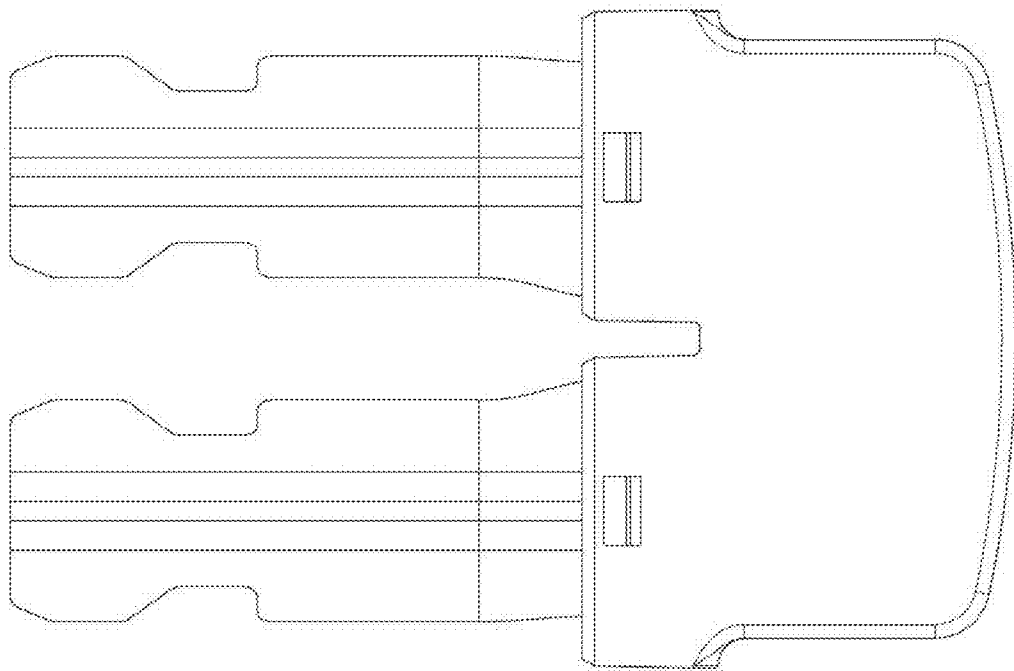


Fig. 3

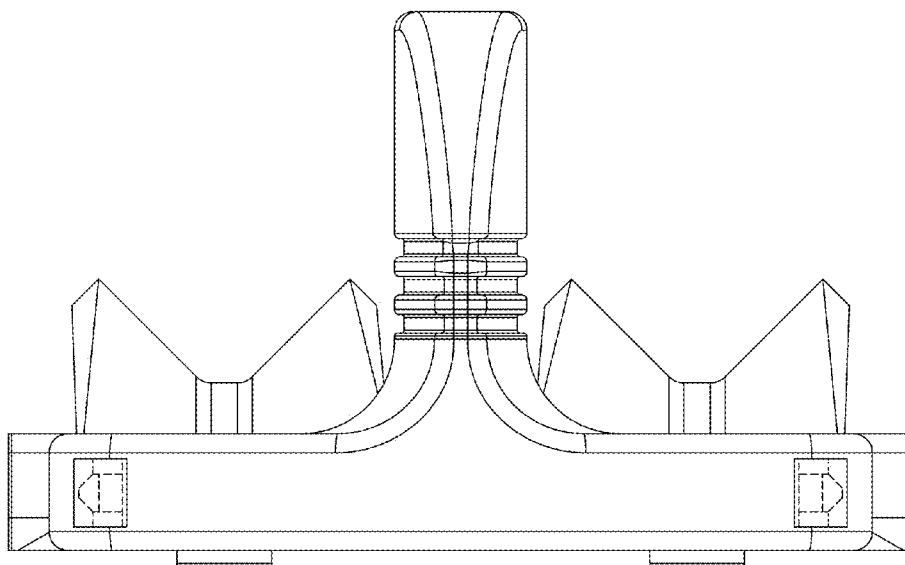


Fig. 4

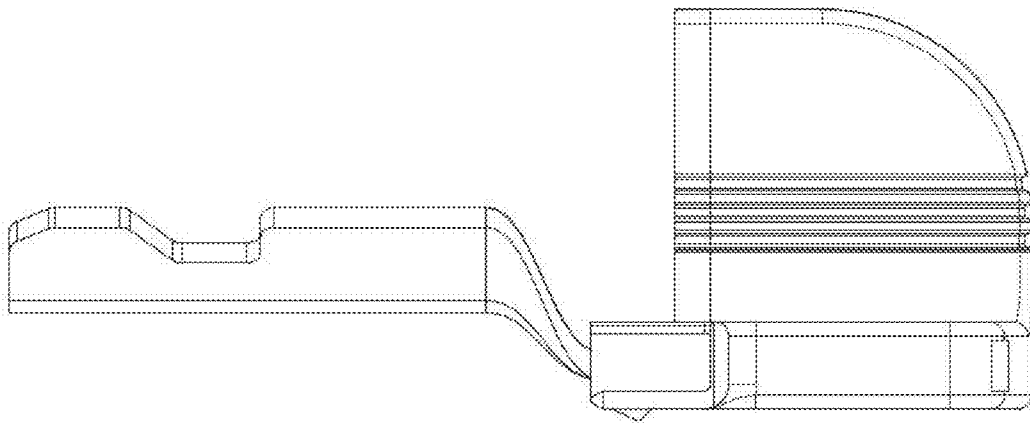


Fig. 5

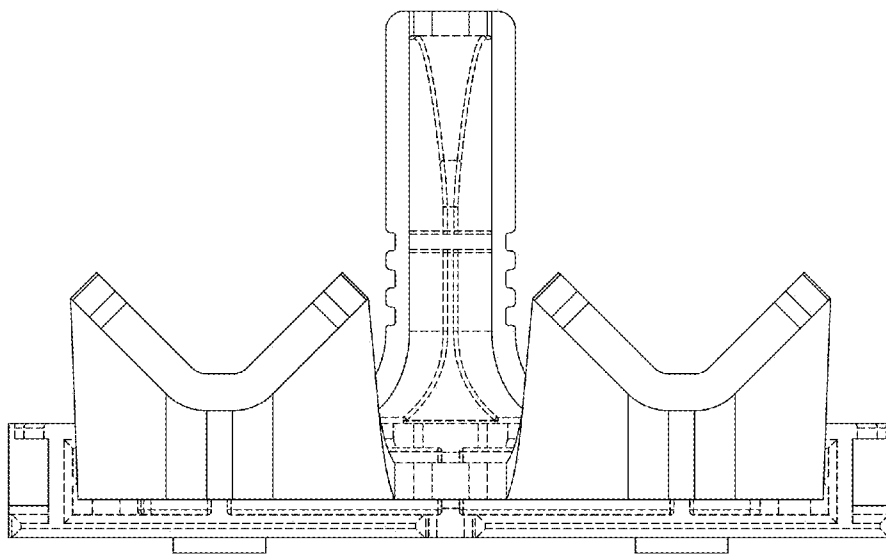


Fig. 6

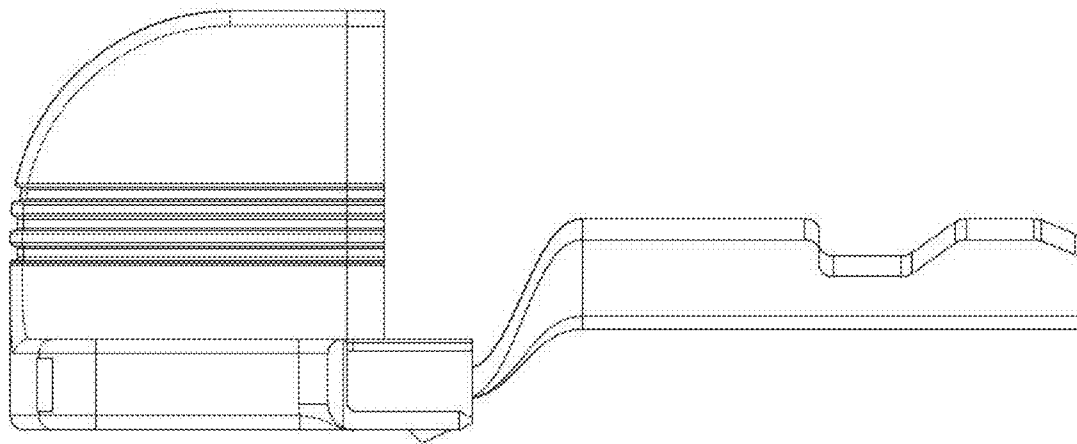


Fig. 7

