



US00D398151S

United States Patent [19]
Ahern, Jr.

[11] **Patent Number: Des. 398,151**
[45] **Date of Patent: **Sep. 15, 1998**

- [54] **STORAGE CONTAINER BASE**
- [75] Inventor: **Richard B. Ahern, Jr.**, Akron, Ohio
- [73] Assignee: **Rubbermaid Incorporated**, Wooster, Ohio
- [**] Term: **14 Years**
- [21] Appl. No.: **57,346**
- [22] Filed: **Jul. 23, 1996**
- [51] **LOC (6) Cl. 03-01**
- [52] **U.S. Cl. D3/304; D3/312; D3/307**
- [58] **Field of Search D3/313, 304, 306, D3/307, 312, 314, 315, 300, 310, 311; D9/424, 433; D7/353; 220/501, 507, 555, 553; 206/503, 505**

[56] **References Cited**

U.S. PATENT DOCUMENTS

D. 168,205	11/1952	Baustian et al.	D87/5
D. 238,051	12/1975	Fier	D9/240
D. 238,148	12/1975	Dilot	D9/219
D. 246,872	1/1978	White	D87/1 R
D. 258,721	3/1981	Steeg	D99/47
D. 258,723	3/1981	Cornou	D7/76
D. 271,153	10/1983	Deaton	D3/304
D. 277,797	2/1985	Chabot	D34/40
D. 280,216	8/1985	Backlund	D19/52
D. 285,413	9/1986	Carlson	D9/337
D. 286,937	11/1986	Schafer	D34/43
D. 302,774	8/1989	Murphy	D7/76
D. 308,340	6/1990	Ilsen	D9/425
D. 312,573	12/1990	Poirier	D9/424
D. 316,674	5/1991	Poirier	D9/424
D. 319,016	8/1991	Kahl	D9/424
D. 319,977	9/1991	Curry	D9/425
D. 321,091	10/1991	Dickinson	D3/78
D. 326,345	5/1992	Mandell et al.	D34/40
D. 328,425	8/1992	Brightbill	D9/425
D. 329,747	9/1992	Embree	D3/78
D. 330,329	10/1992	Brightbill	D9/424
D. 334,662	4/1993	van Berne	D3/70
D. 342,364	12/1993	Hobson	D34/46

(List continued on next page.)

FOREIGN PATENT DOCUMENTS

27095	10/1980	European Pat. Off. .
2136399	9/1984	United Kingdom .
9206009	4/1992	WIPO .

OTHER PUBLICATIONS

- Label, Storage container base; Dial Industries, Inc., Los Angeles, California 90023. Published at least as early as 1994.
- Label, Storage container base; Rhenanit, address unknown. Published at least as early as Dec. 14, 1994.
- Catalog page, Storage container base; Sunware, address unknown. Published at least as early as Jun., 1995.
- Label, Storage container base; Contico Manufacturing Company, 1101 Warson Road., St. Louis, Missouri, 63132. Published at least as early as May, 1993.
- P. 10, Storage container base; Contico Manufacturing Company, 1101 Warson Road, St. Louis, Missouri 63132. Publication date 1991-92.
- Catalog page, Storage container bases; Frem Corporation, 60 Webster Place, Box 4, Worcester, Massachusetts 01603. Published at least as early as 1993.
- P. 5, Storage container bases; Sterilite Corporation, P. O. Box 524, Townsend, Massachusetts 01469. Published at least as early as Feb., 1996.

(List continued on next page.)

Primary Examiner—M. N. Pandozzi
Attorney, Agent, or Firm—Richard B. O'Plannick

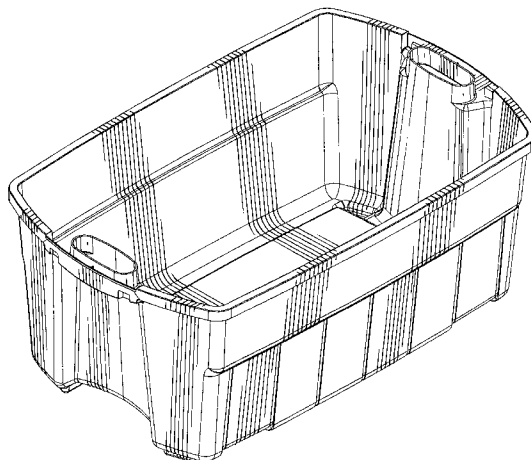
[57] **CLAIM**

The ornamental design for a storage container base, as shown and described.

DESCRIPTION

- FIG. 1 is a top front perspective view of a storage container base showing my new design;
- FIG. 2 is a top plan view thereof;
- FIG. 3 is a right side elevational view thereof; the left side elevational view being a mirror image;
- FIG. 4 is a front elevational view thereof; the rear elevational view being a mirror image; and,
- FIG. 5 is a bottom plan view thereof.

1 Claim, 5 Drawing Sheets



U.S. PATENT DOCUMENTS

D. 342,609	12/1993	Brightbill	D3/78
D. 344,387	2/1994	Holliday	D3/312
D. 347,324	5/1994	Dickinson	D3/272
D. 348,394	7/1994	Dreyer	D9/425
D. 349,646	8/1994	Dickinson	D9/423
D. 351,284	10/1994	Kruger	D3/314
D. 355,118	2/1995	Dickinson et al.	D9/425
D. 356,256	3/1995	Ramanoff	D9/425
D. 357,120	4/1995	Miller	D3/312
D. 358,765	5/1995	Dickinson et al.	D9/425
D. 361,511	8/1995	Dickinson et al.	D9/425
D. 363,604	10/1995	Koenig et al.	D3/312
D. 363,663	10/1995	Plater	D9/425
D. 366,363	1/1996	Berggren	D3/314
D. 366,760	2/1996	Kraner	D3/310
D. 367,609	3/1996	Frank et al.	D9/425
D. 367,760	3/1996	Zimmerman	D3/314
D. 367,958	3/1996	Tisbo et al.	D3/273
D. 370,345	6/1996	Wolff	D3/312
D. 372,123	7/1996	Kobilarcik et al.	D3/314 X
D. 375,836	11/1996	Conti	D3/304
2,634,020	4/1953	Bartholomew	220/72
2,823,829	2/1958	Frater	220/97
3,351,227	11/1967	Collier	220/60
3,419,184	12/1968	Asenbauer	220/97
3,556,339	1/1971	Lind	220/60
3,642,168	2/1972	Wiley, Jr. et al.	220/97 D
3,656,650	4/1972	Frater	220/22.3
3,741,433	6/1973	Bentley et al.	220/55.7
3,987,829	10/1976	Leone	150/0.5
4,261,465	4/1981	Thomas	206/334
4,499,997	2/1985	Swingley, Jr.	206/509
4,499,998	2/1985	Carlson	206/541
4,523,692	6/1985	Lemkin	220/306
4,593,816	6/1986	Langenbeck	206/425
4,863,023	9/1989	Payne et al.	206/364
4,982,863	1/1991	Skillius	220/318
5,011,013	4/1991	Meisner et al.	106/373
5,366,104	11/1994	Armstrong	220/339

OTHER PUBLICATIONS

Catalog page, Storage container bases; Sterilite Corporation, P. O. Box 524, Townsend, Massachusetts 01469. Publication date 1990.

Sell sheet, Storage container bases; Sterilite Corporation, P. O. Box 524, Townsend, Massachusetts 01469. Publication date 1991.

Label, Storage container base; Igloo Products Corp., 1001 West Sam Houston Parkway North, P. O. Box 19322, Houston, Texas 77224. Publication date 1993.

Assembly instructions, Storage container base; Delta, Inc. of Arkansas, 4800 Kruger Drive, Jonesboro, Arkansas 72401. Publication date Oct., 1988.

Catalog page, Storage container bases; Addis, Ware Road, Hertford, Hertfordshire 5613 7HL. Publication date Apr. 1, 1991.

P. 27, Dock box bases; Follansbee Dock System, State Street, P. O. Box 610, Follansbee, West Virginia 26037, Published at least as early as Jul., 1990.

Catalog page, Storage container base; The Coleman Company, Inc., P. O. Box 2931, Wichita, Kansas 67201. Published at least as early as 1992.

Sell sheet, Storage container bases; Tucker Housewares, 25 Tucker Drive, Leonmister, Massachusetts 01453. Published at least as early as 1991.

P. 60, Storage container base; Rubbermaid Commercial Products Inc., 3124 Valley Avenue, Winchester, Virginia 22601. Publication date 1992.

P. 2, Storage container bases; Rubbermaid Commercial Products Inc., 3124 Valley Avenue, Winchester, Virginia 22601. Publication date 1994.

Catalog page, Storage container bases; Rubbermaid Incorporated, 1147 Akron Road, Wooster, Ohio 44691. Publication date 1994.

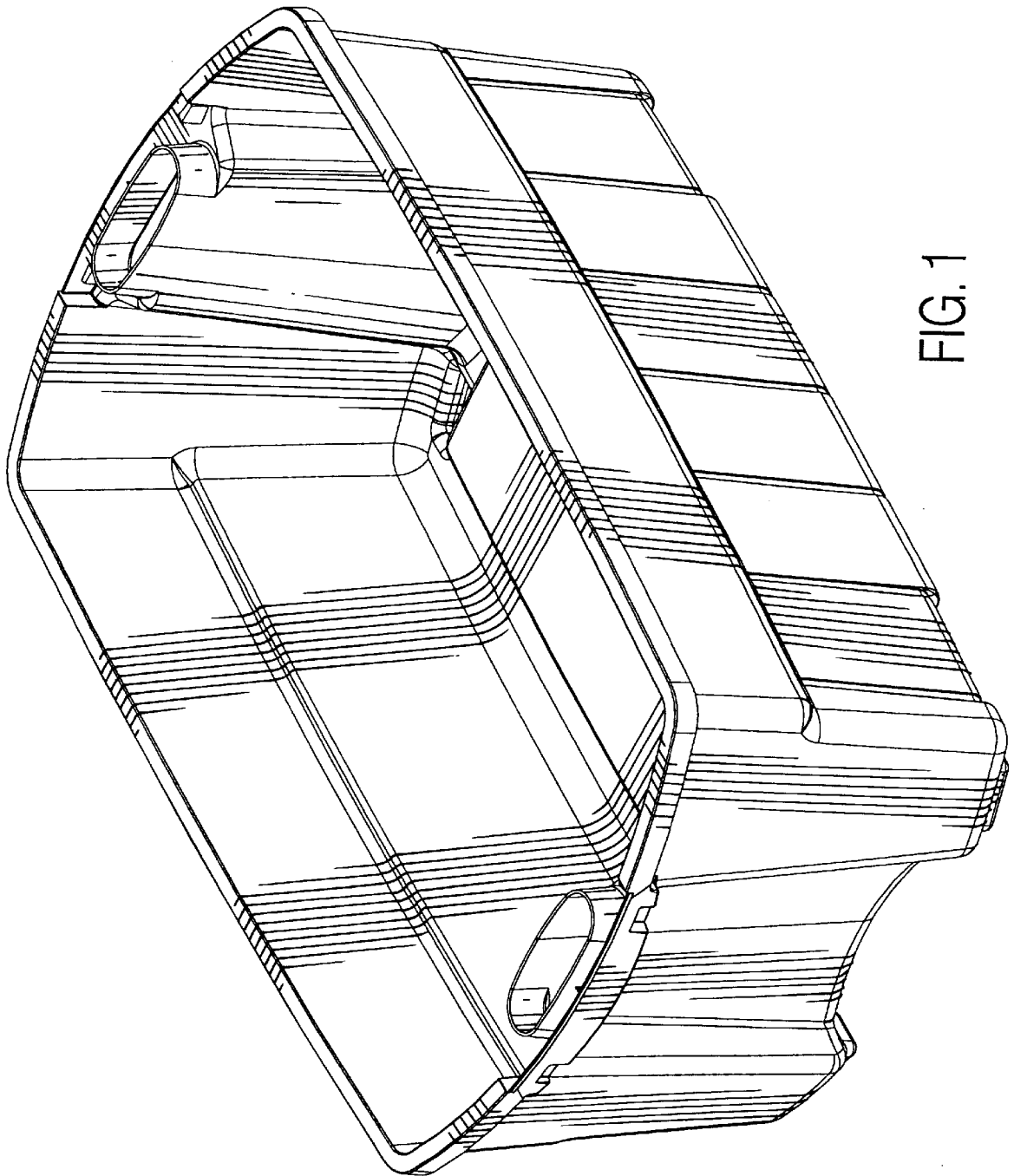


FIG. 1

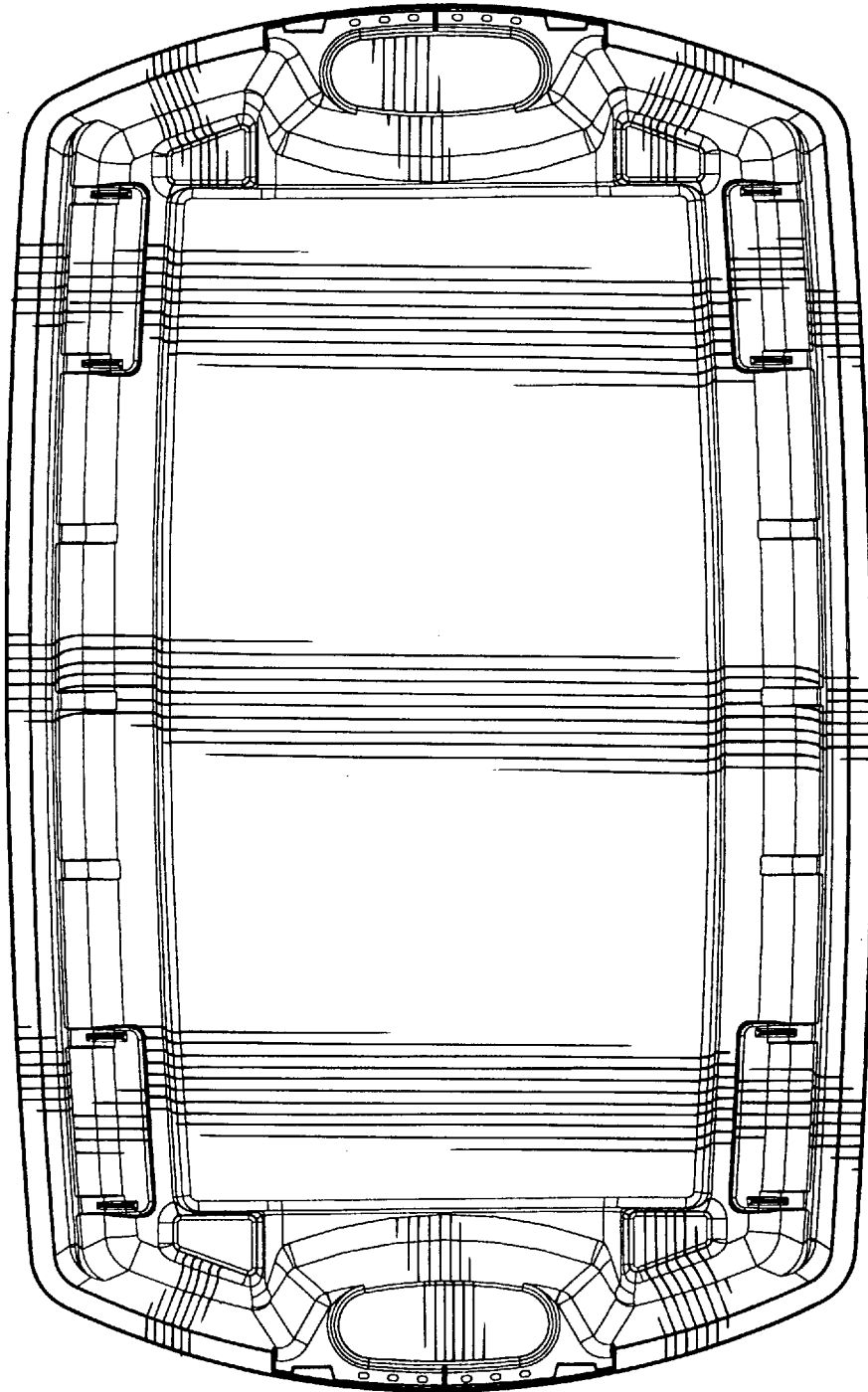


FIG. 2

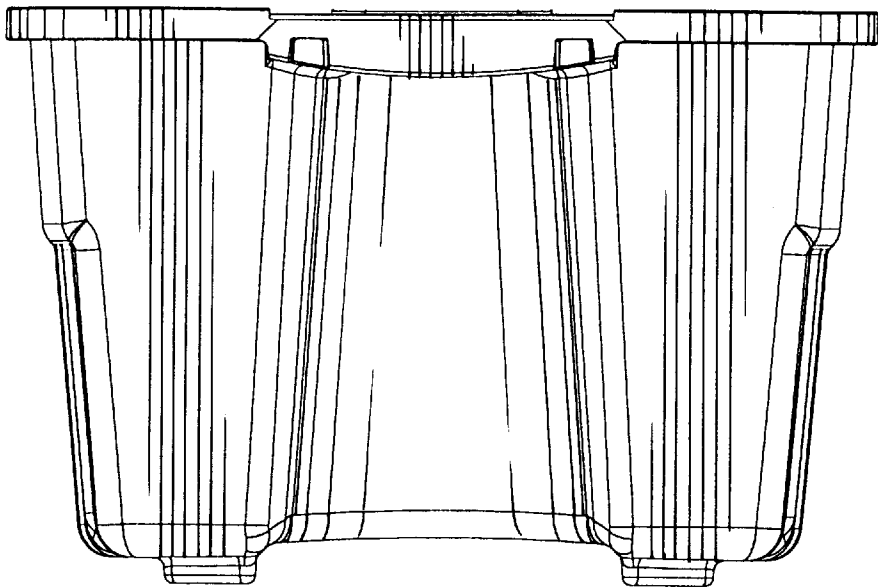


FIG. 3

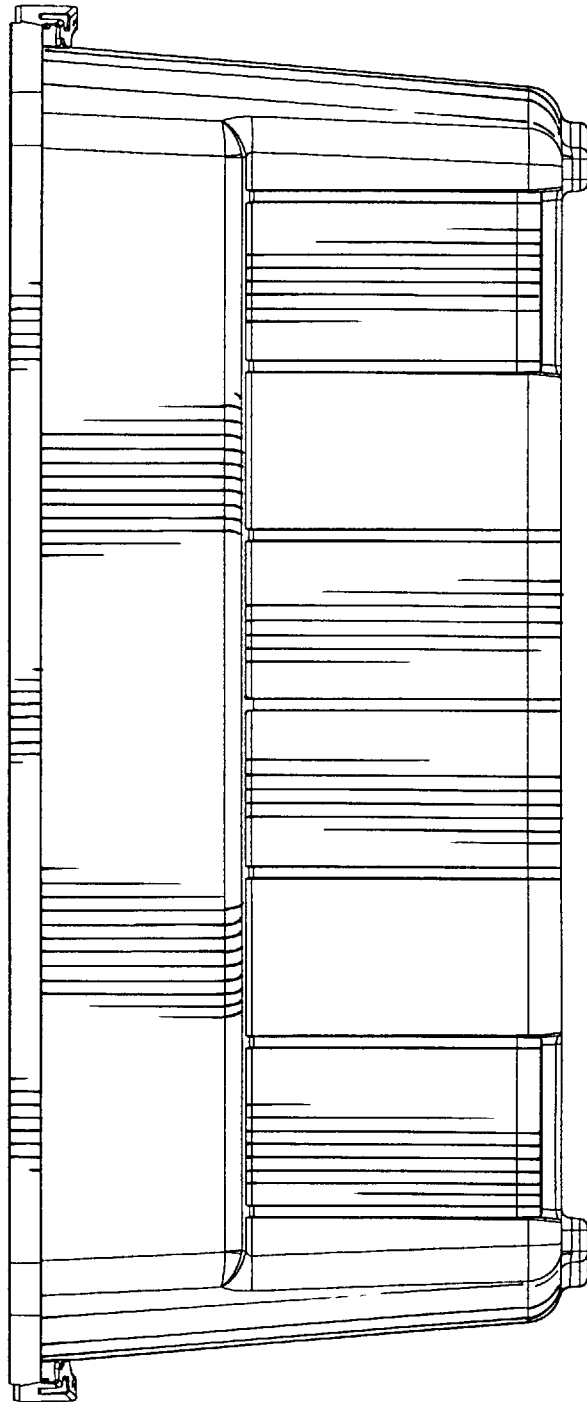


FIG. 4

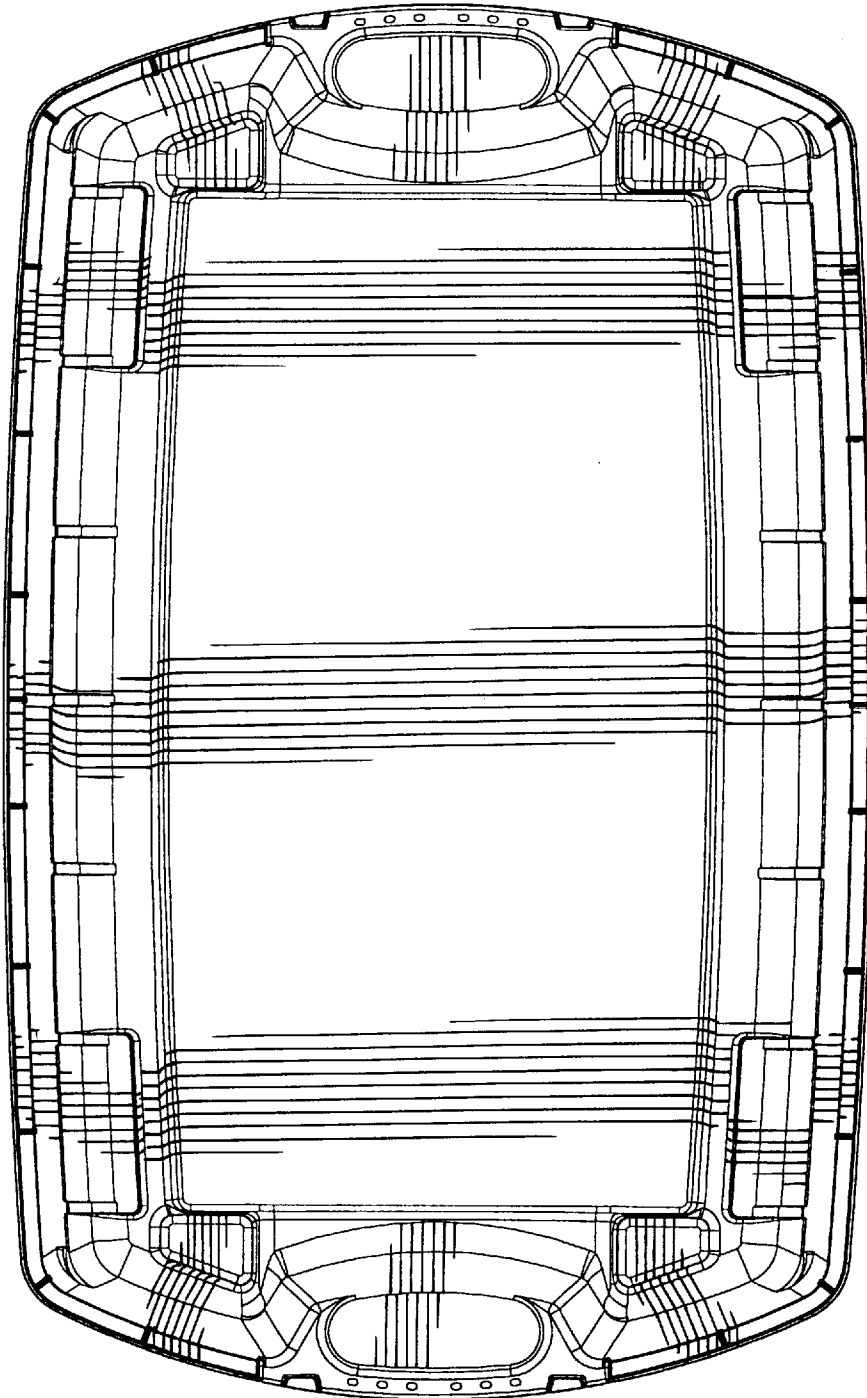


FIG. 5