

(19) World Intellectual Property Organization
International Bureau



(43) International Publication Date
10 April 2008 (10.04.2008)

PCT

(10) International Publication Number
WO 2008/041872 A3

(51) International Patent Classification:
A47F 11/00 (2006.01) A47F 11/02 (2006.01)
A47B 96/04 (2006.01)

(21) International Application Number:
PCT/NZ2007/000294

(22) International Filing Date: 5 October 2007 (05.10.2007)

(25) Filing Language: English

(26) Publication Language: English

(30) Priority Data:
60/828,591 6 October 2006 (06.10.2006) US
60/894,410 12 March 2007 (12.03.2007) US
60/894,421 12 March 2007 (12.03.2007) US

(71) Applicant (for all designated States except US):
FORMWAY FURNITURE LIMITED [NZ/NZ];
176 Gracefield Road, Lower Hutt, Wellington (NZ).

(72) Inventors; and

(75) Inventors/Applicants (for US only): **BURAK, Edward, John** [NZ/NZ]; 3B Jeep Road, Raumati South (NZ). **BISMAN, Christopher, Warren** [NZ/NZ]; 52 Kilbirne Crescent, Kilbirne, Wellington (NZ). **FOOTITT, Ian, Colin** [NZ/NZ]; 32 Avro Road, Silverstream, Lower Hutt (NZ). **DE GROEN, Thomas, David** [NZ/NZ]; 115 Constable Street, Newtown, Wellington (NZ).

(74) Agents: **BROWN, Michael, S.** et al.; A J Park, 6th Floor Huddart Parker Building, Post Office Square, P O Box 949, Wellington, 6015 (NZ).

(81) Designated States (unless otherwise indicated, for every kind of national protection available): AE, AG, AL, AM, AT, AU, AZ, BA, BB, BG, BH, BR, BW, BY, BZ, CA, CH, CN, CO, CR, CU, CZ, DE, DK, DM, DO, DZ, EC, EE, EG, ES, FI, GB, GD, GE, GH, GM, GT, HN, HR, HU, ID, IL, IN, IS, JP, KE, KG, KM, KN, KP, KR, KZ, LA, LC, LK, LR, LS, LT, LU, LY, MA, MD, ME, MG, MK, MN, MW, MX, MY, MZ, NA, NG, NI, NO, NZ, OM, PG, PH, PL, PT, RO, RS, RU, SC, SD, SE, SG, SK, SL, SM, SV, SY, TJ, TM, TN, TR, TT, TZ, UA, UG, US, UZ, VC, VN, ZA, ZM, ZW.

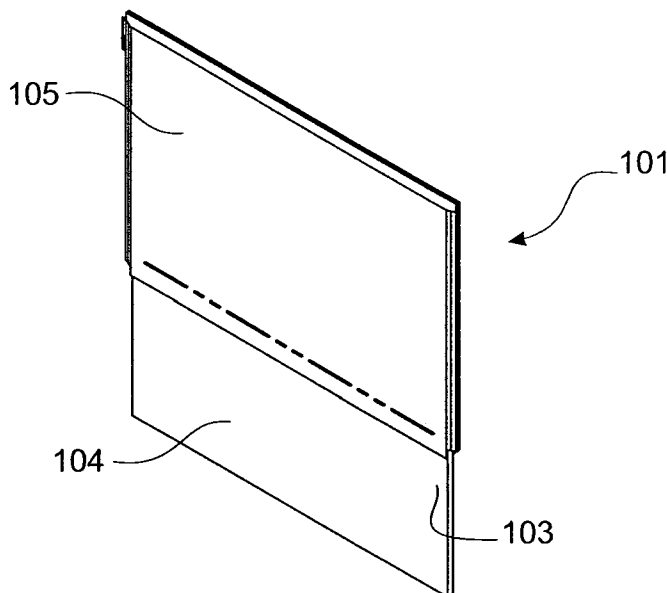
(84) Designated States (unless otherwise indicated, for every kind of regional protection available): ARIPO (BW, GH, GM, KE, LS, MW, MZ, NA, SD, SL, SZ, TZ, UG, ZM, ZW), Eurasian (AM, AZ, BY, KG, KZ, MD, RU, TJ, TM), European (AT, BE, BG, CH, CY, CZ, DE, DK, EE, ES, FI, FR, GB, GR, HU, IE, IS, IT, LT, LU, LV, MC, MT, NL, PL, PT, RO, SE, SI, SK, TR), OAPI (BF, BJ, CF, CG, CI, CM, GA, GN, GQ, GW, ML, MR, NE, SN, TD, TG).

Published:

- with international search report
- before the expiration of the time limit for amending the claims and to be republished in the event of receipt of amendments

(88) Date of publication of the international search report:
5 June 2008

(54) Title: A SCREEN



(57) Abstract: A method for manufacturing a screen for partitioning an interior space. The method includes providing a flexible cover (105) formed as a sheath with an opening, providing a relatively rigid screen substrate (103), and inserting at least a portion of the screen substrate into the sheath through the opening to cover said at least a portion of the screen substrate with the sheath. A screen (101) for partitioning an interior space has a relatively rigid screen substrate (103) and a flexible cover (105). At least a portion of the screen substrate is covered by the flexible cover. The flexible cover is formed as a sheath with an opening prior to covering said at least a portion of the screen substrate. The screen may be positioned adjacent the edge of a desktop.

WO 2008/041872 A3

INTERNATIONAL SEARCH REPORT

International application No.

PCT/NZ2007/000294

A. CLASSIFICATION OF SUBJECT MATTER Int. Cl. <i>A47F 11/00</i> (2006.01) <i>A47B 96/04</i> (2006.01) <i>A47F 11/02</i> (2006.01). According to International Patent Classification (IPC) or to both national classification and IPC		
B. FIELDS SEARCHED Minimum documentation searched (classification system followed by classification symbols) IPC: A47F 11/00, 11/02, A47B 96/04. Documentation searched other than minimum documentation to the extent that such documents are included in the fields searched AU IPC: A47F 11/00, 11/02, A47B 96/04. Electronic data base consulted during the international search (name of data base and, where practicable, search terms used) DWPI: IPC A47F 11/00, 11/02, A47B 96/04. (A47B/IC OR A47F/IC) AND (SCREEN+ OR PARTITION+ OR DIVIDER+) AND (COVER+ OR SHEATH+ OR ENVELOP+ OR SLOT+ OR SLIT+ OR GROOV+) AND (DESK+ OR (WORK+ AND STATION))		
C. DOCUMENTS CONSIDERED TO BE RELEVANT		
Category*	Citation of document, with indication, where appropriate, of the relevant passages	Relevant to claim No.
X	US 4516620 A (MULHERN) 14 May 1985. See entire document.	1-6,14, 20-24,33,34, 43-48,50
A	US 4373570 A (NUSSDORF ET AL) 15 February 1983. See entire document.	
A	RU 2199932 C (KUZNETSOV) 10 March 2003. See entire document.	
<input checked="" type="checkbox"/> Further documents are listed in the continuation of Box C <input checked="" type="checkbox"/> See patent family annex		
* "A"	Special categories of cited documents: document defining the general state of the art which is not considered to be of particular relevance	"T" later document published after the international filing date or priority date and not in conflict with the application but cited to understand the principle or theory underlying the invention
"E"	earlier application or patent but published on or after the international filing date	"X" document of particular relevance; the claimed invention cannot be considered novel or cannot be considered to involve an inventive step when the document is taken alone
"L"	document which may throw doubts on priority claim(s) or which is cited to establish the publication date of another citation or other special reason (as specified)	"Y" document of particular relevance; the claimed invention cannot be considered to involve an inventive step when the document is combined with one or more other such documents, such combination being obvious to a person skilled in the art
"O"	document referring to an oral disclosure, use, exhibition or other means	"&" document member of the same patent family
"P"	document published prior to the international filing date but later than the priority date claimed	
Date of the actual completion of the international search 12 March 2008		Date of mailing of the international search report 27 MAR 2008
Name and mailing address of the ISA/AU AUSTRALIAN PATENT OFFICE PO BOX 200, WODEN ACT 2606, AUSTRALIA E-mail address: pct@ipaustalia.gov.au Facsimile No. +61 2 6283 7999		Authorized officer R. WEBER AUSTRALIAN PATENT OFFICE (ISO 9001 Quality Certified Service) Telephone No : (02) 6283 2546

INTERNATIONAL SEARCH REPORT

International application No.

PCT/NZ2007/000294

C (Continuation).		DOCUMENTS CONSIDERED TO BE RELEVANT
Category*	Citation of document, with indication, where appropriate, of the relevant passages	Relevant to claim No.
A	GB 2226751 A (PEARMINSTER LIMITED) 11 July 1990. See entire document.	
A	EP 482292 A (COHAUSZ) 29 April 1992. See entire document.	
A	EP 1084661 B (PAUL HETTICH GMBH & CO) 14 December 2005. See entire document.	
A	US 6134852 A (SHIPMAN ET. AL.) 24 October 2000. See entire document.	
A	US 2002 0021060 A (LUI) 21 February 2002. See entire document.	
A	US 2004 0011754 A (ZADAK) 22 January 2004. See entire document.	
A	US 2005 0168974 A (WIESBERG ET AL) 4 August 2005. See entire document.	
A	US 2005 0204965 A (FAST) 22 September 2005. See entire document.	
A	DE 29714597 U (REMPE) 22 January 1998. See entire document.	
A	DE 29607491 U (GUTTENBERGER & PARTNER GmbH) 12 September 1996. See entire document.	

INTERNATIONAL SEARCH REPORT

Information on patent family members

International application No.

PCT/NZ2007/000294

This Annex lists the known "A" publication level patent family members relating to the patent documents cited in the above-mentioned international search report. The Australian Patent Office is in no way liable for these particulars which are merely given for the purpose of information.

Patent Document Cited in Search Report		Patent Family Member					
DE	29714597	DE	19836809				
DE	29607491	NIL					
RU	2199932	NIL					
GB	2226751	NIL					
EP	0482292	DE	4034048				
EP	1084661	BR	0004224	DE	19944641	US	6357844
US	6134852	AU	40561/97	AU	46462/96	AU	47424/96
		BR	9510184	BR	9510185	BR	9711337
		CA	2208564	CA	2208583	CA	2263096
		EP	0800604	EP	0867574	EP	0928149
		MX	9704894	US	5740650	US	5743054
		US	5746034	US	5746035	US	5784843
		US	5809708	US	5816001	US	5890325
		US	5899036	US	5950386	US	5970662
		US	5979118	US	6009676	US	6044612
		US	6067762	US	6076308	US	6128873
		US	6134845	US	6167676	US	6173543
		US	6173545	US	6266935	US	6276102
		US	6286276	US	6378255	US	6397532
		US	6530181	US	6928785	US	2002112443
		WO	9620623	WO	9621070	WO	9807357
US	2002021060	JP	2002004468	US	6612670		
US	2004011754	US	6685037				
US	2005168974	US	7287871				
US	2005204965	WO	2005092150				

Due to data integration issues this family listing may not include 10 digit Australian applications filed since May 2001.

END OF ANNEX