



US0D1048488S

(12) **United States Design Patent**
Londborg et al.

(10) **Patent No.:** **US D1,048,488 S**

(45) **Date of Patent:** **** Oct. 22, 2024**

(54) **VEHICLE LIGHT**

(71) Applicant: **Harbor Freight Tools USA, Inc.**,
Calabasas, CA (US)

(72) Inventors: **Mark David Londborg**, West Hills,
CA (US); **Andrew Jordan Scorgie**,
Oregon City, OR (US)

(73) Assignee: **Harbor Freight Tools USA, Inc.**,
Calabasas, CA (US)

(**) Term: **15 Years**

(21) Appl. No.: **29/890,844**

(22) Filed: **Apr. 27, 2023**

Related U.S. Application Data

(62) Division of application No. 29/824,316, filed on Jan.
24, 2022, now Pat. No. Des. 1,008,502.

(51) **LOC (14) Cl.** **26-06**

(52) **U.S. Cl.**
USPC **D26/28**

(58) **Field of Classification Search**
USPC D26/28, 29, 30, 31, 32, 33, 34, 35, 36,
D26/37, 139

CPC .. F21S 43/00; F21S 41/00; F32S 41/20; F32S
41/26; F32S 41/32; F32S 41/50; F32S
41/36; F21W 2102/00; F21W 2103/00;
F21W 2103/10; F21W 2104/00

See application file for complete search history.

(56) **References Cited**

U.S. PATENT DOCUMENTS

D564,683 S *	3/2008	Roach	D26/28
D638,963 S *	5/2011	Huang	D26/28
D676,990 S *	2/2013	Adams	D26/31
D782,086 S	3/2017	Graham		
D792,991 S *	7/2017	Wu	D26/28
D800,932 S *	10/2017	Packard	D26/28

D815,318 S	4/2018	LaMarche	
D827,167 S	8/2018	Deyaf	
D827,883 S	9/2018	Deyaf	
D836,809 S *	12/2018	Chi D26/28
D839,458 S	1/2019	Ting	
D843,620 S	3/2019	LaMarche	
D851,297 S	6/2019	Dennis	
D863,613 S	10/2019	Korpi	

(Continued)

OTHER PUBLICATIONS

Roadshock Edge, 4LED Off-Road Spot/Flood Combo, date not available, [online], [site visited Jun. 13, 2024]. Available from Internet, URL: <https://www.harborfreight.com/lighting/automotive-lighting/4-led-off-road-spotflood-combo-59236.html>.*

(Continued)

Primary Examiner — Sheryl Lane

Assistant Examiner — Kathryn Elizabeth Chambers

(74) *Attorney, Agent, or Firm* — McAndrews, Held & Malloy, Ltd.

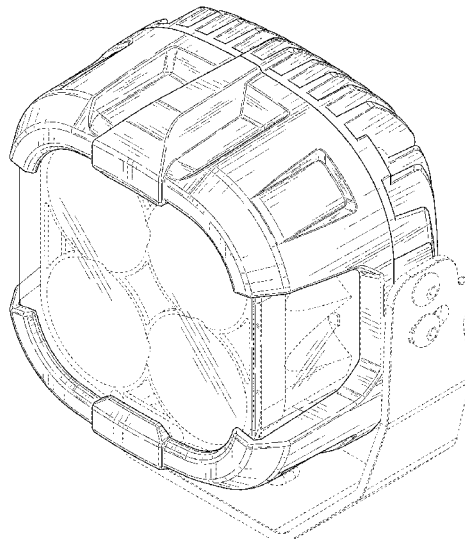
(57) **CLAIM**

The ornamental design for a vehicle light, as shown and described.

DESCRIPTION

FIG. 1 is a top and front perspective view of a vehicle light showing our new design;
FIG. 2 is a front elevation thereof;
FIG. 3 is a rear elevation view thereof;
FIG. 4 is a right side elevation view thereof;
FIG. 5 is a left side elevation view thereof;
FIG. 6 is a top plan view thereof;
FIG. 7 is a bottom plan view thereof;
FIG. 8 is bottom and front perspective view thereof; and,
FIG. 9 is a top and rear perspective view thereof.
The broken lines in the figures illustrate portions of the vehicle light that form no part of the claimed design.

1 Claim, 9 Drawing Sheets



(56)

References Cited

U.S. PATENT DOCUMENTS

D863,616	S	10/2019	Renvall	
D863,617	S	10/2019	Lindholm	
D866,818	S	11/2019	Lindholm	
D867,629	S	11/2019	Renvall	
D876,692	S	2/2020	Yahr	
D883,541	S	5/2020	Johnson	
D886,343	S	6/2020	Chen	
D906,557	S	12/2020	Patel	
D935,066	S	11/2021	Abina	
D944,428	S	2/2022	Tang	
11,273,751	B2	3/2022	Johnson	
D956,302	S	6/2022	Xu	
D956,328	S	6/2022	Owens	
D957,023	S	7/2022	Greenwaldt	
D990,735	S *	6/2023	Lan	D26/28
D1,013,917	S *	2/2024	Londborg	D26/28
D1,027,231	S *	5/2024	Zhou	D26/28
2020/0386375	A1	12/2020	Danesh	

OTHER PUBLICATIONS

Baja Designs 290013 Combo Light, dated Mar. 2, 2020, [online], [site visited Apr. 27, 2023]. Available from Internet, URL: <https://www.amazon.com/dp/B084SSWR2K/> (Year: 2020).

* cited by examiner

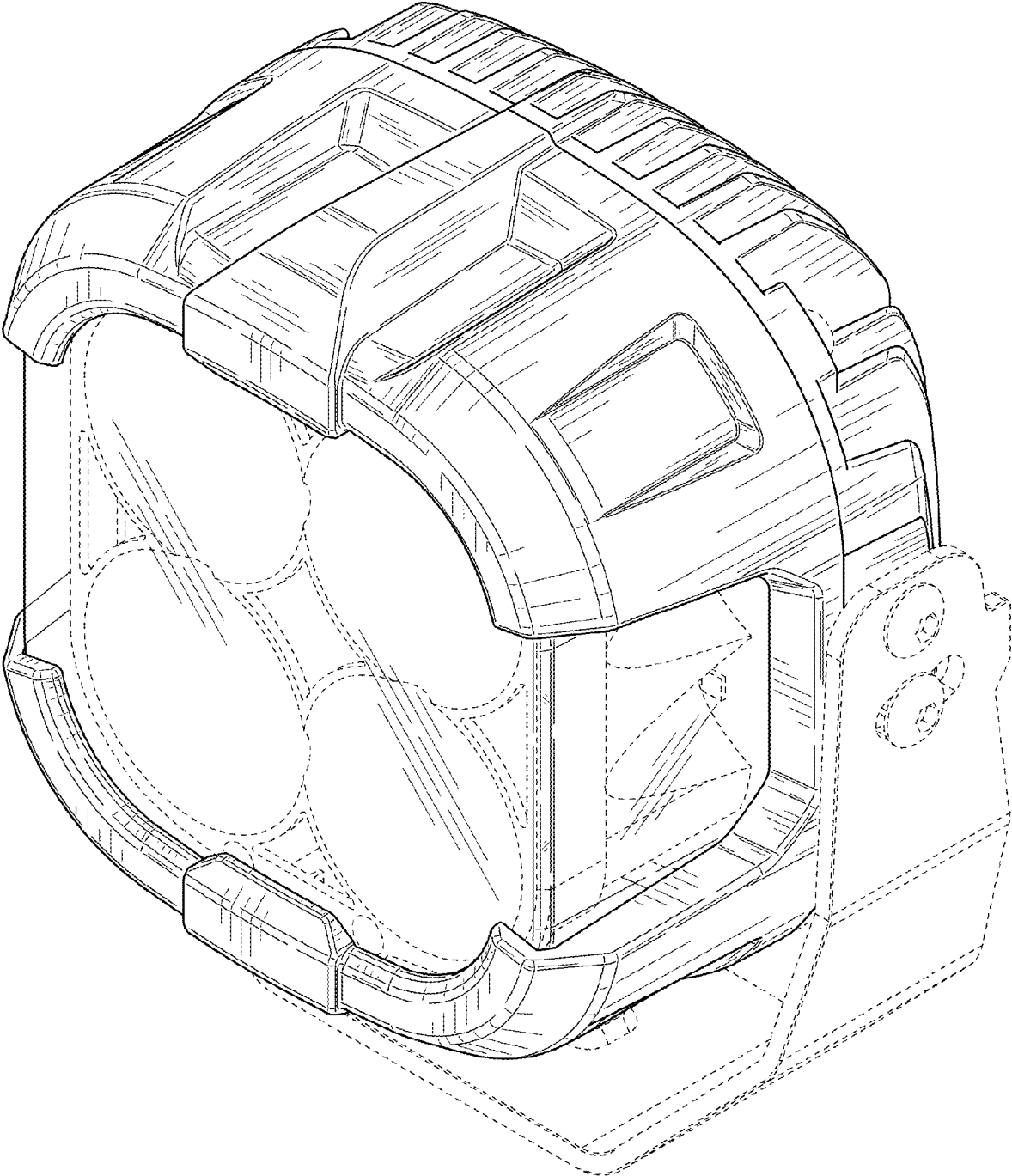


FIG. 1

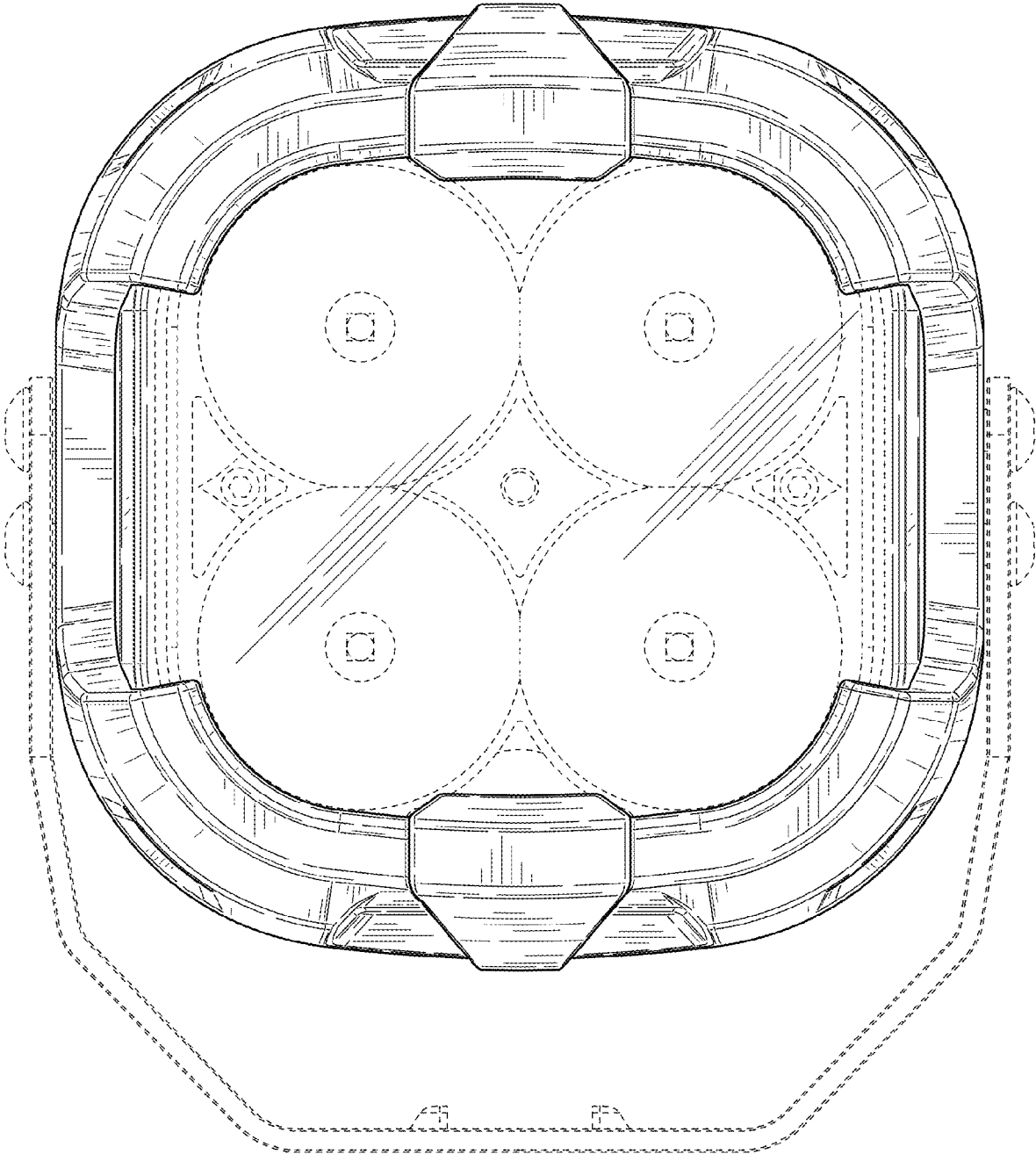


FIG. 2

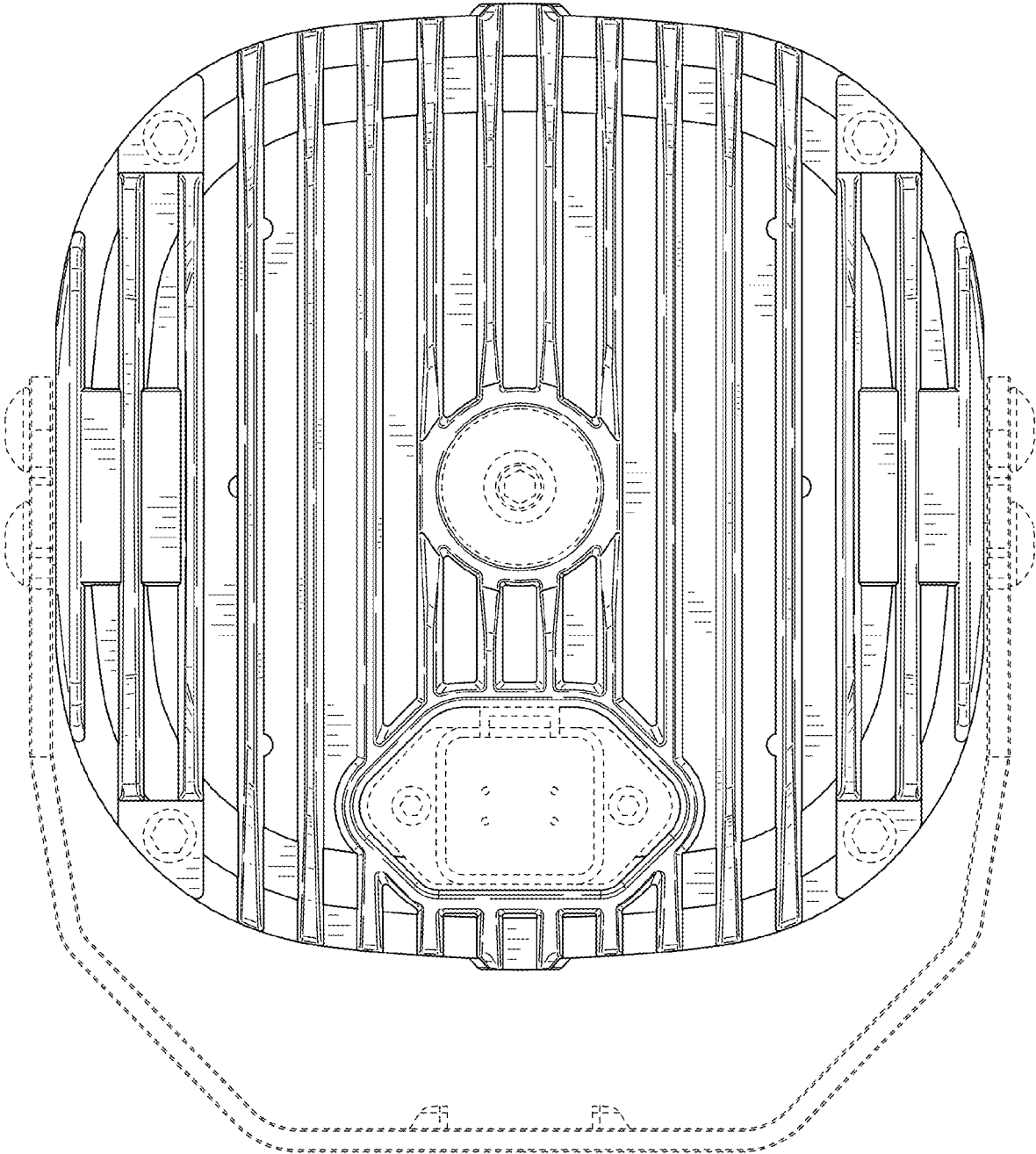


FIG. 3

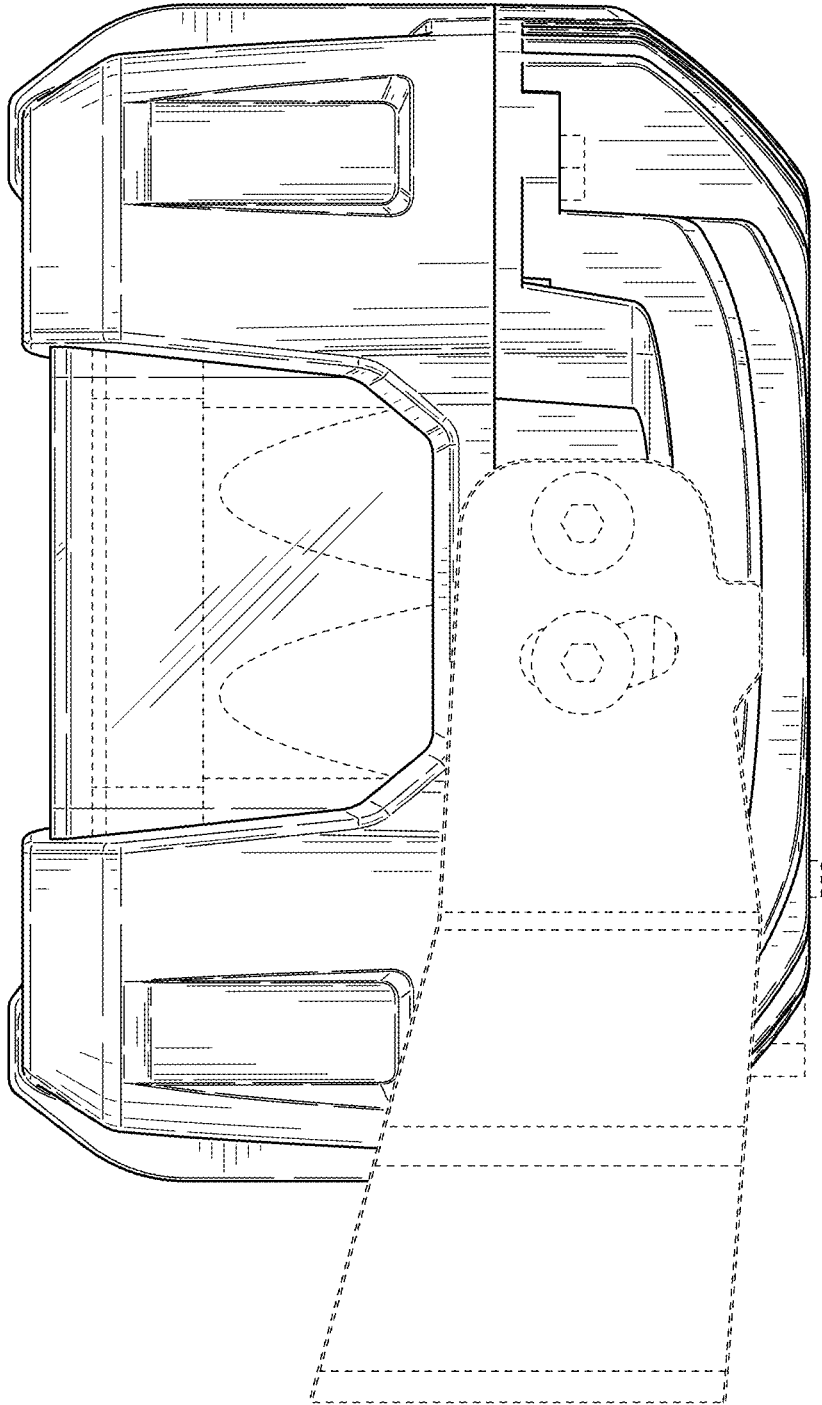


FIG. 4

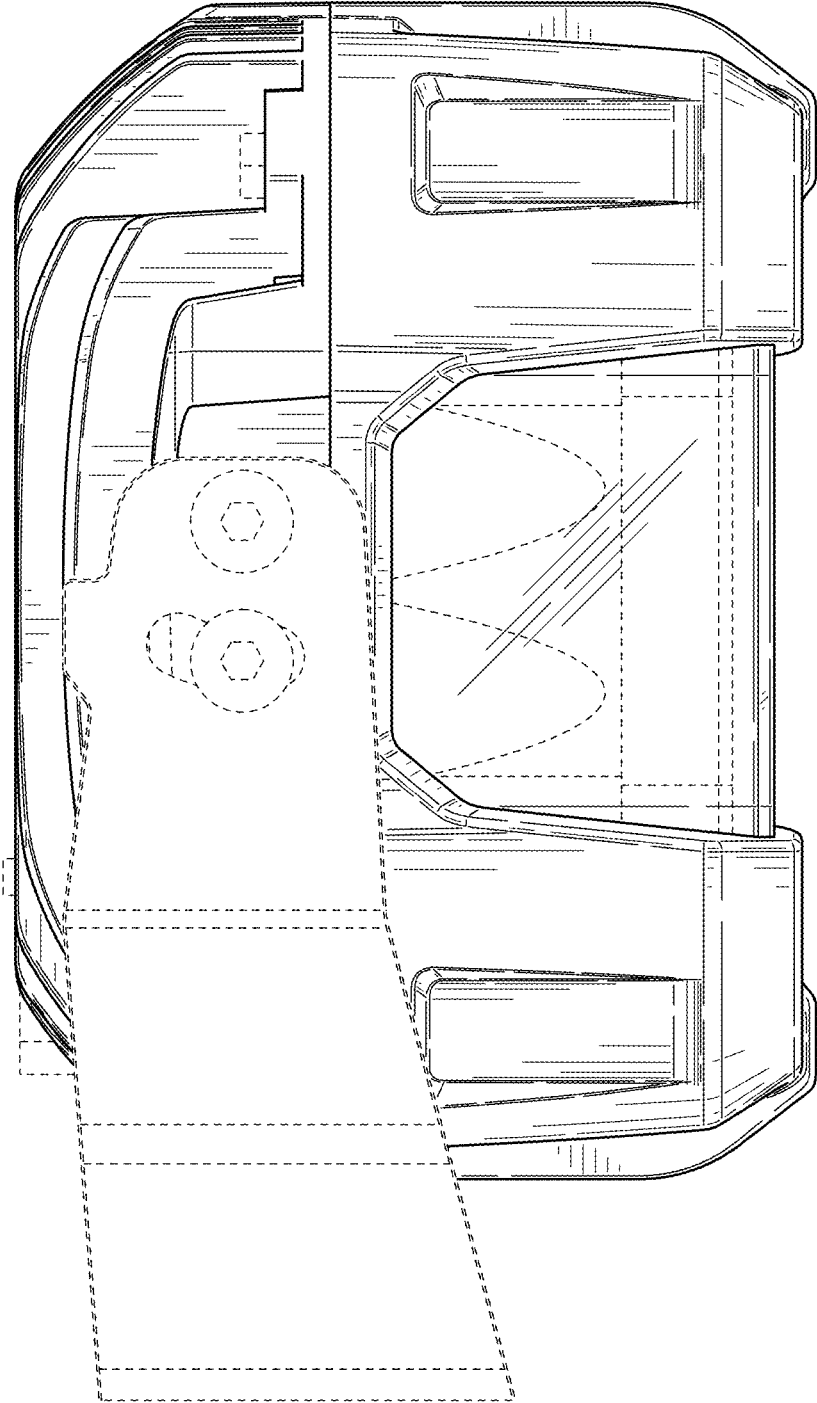


FIG. 5

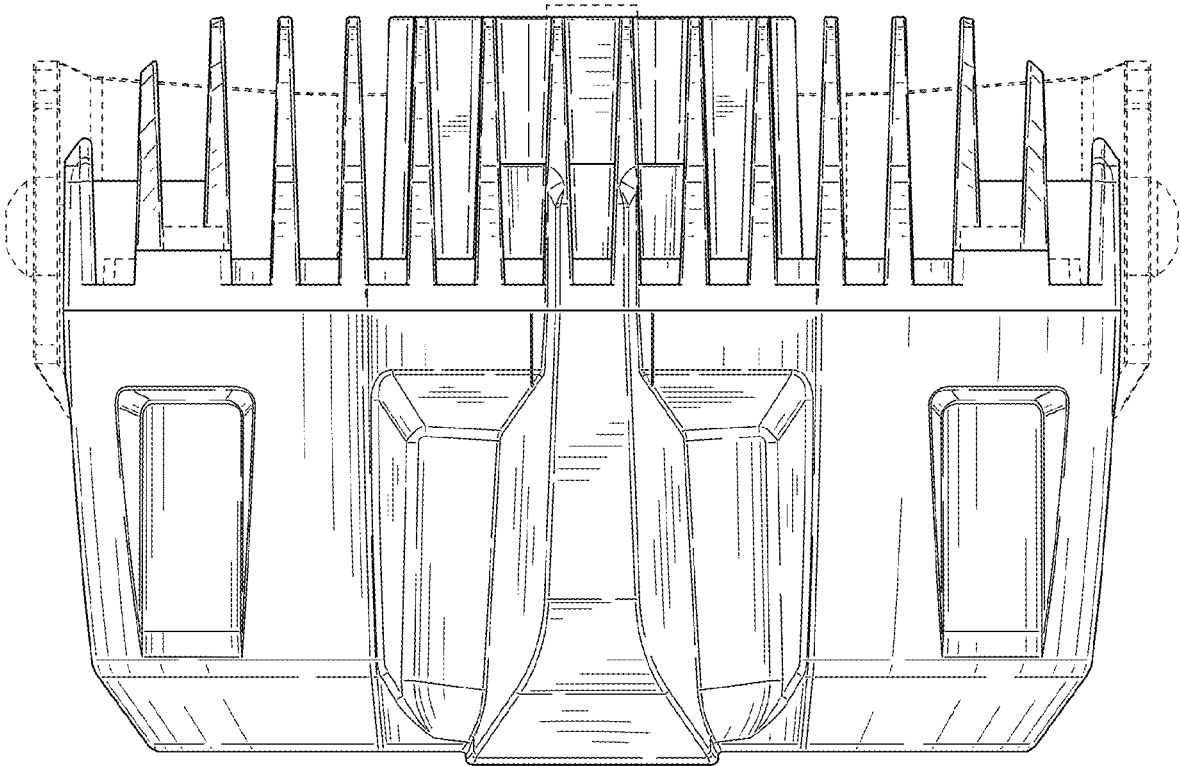


FIG. 6

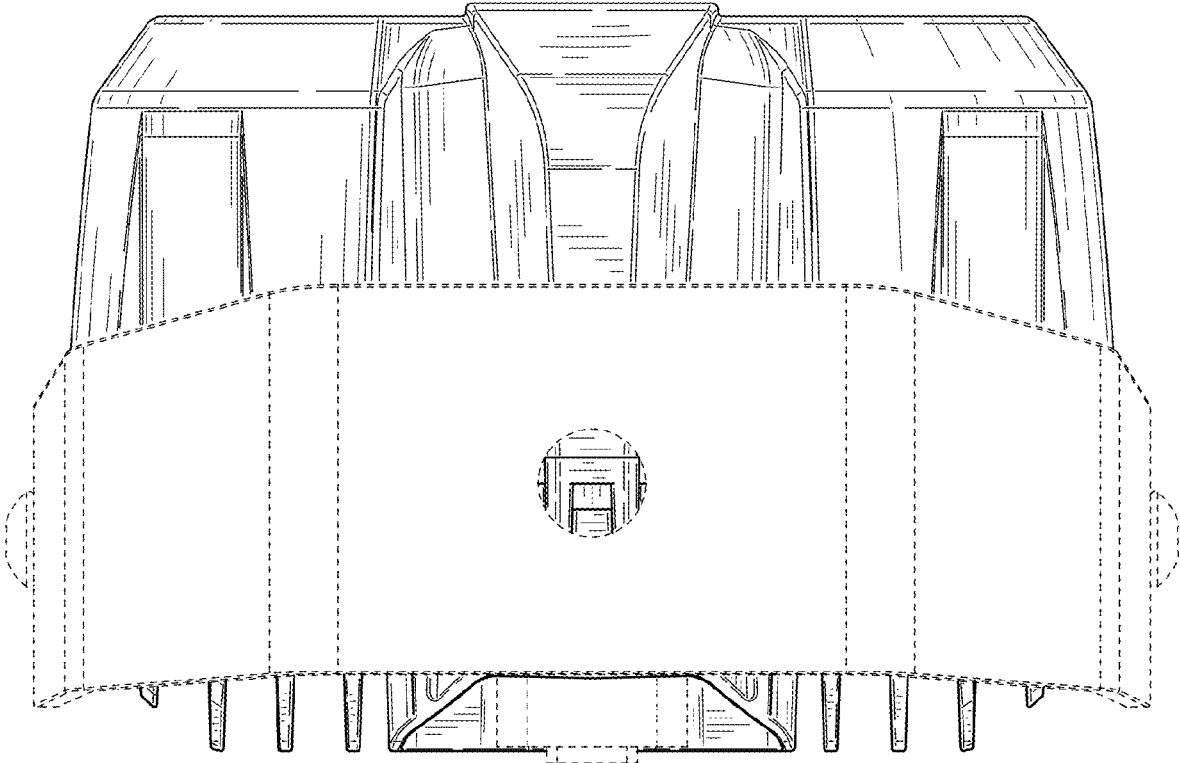


FIG. 7

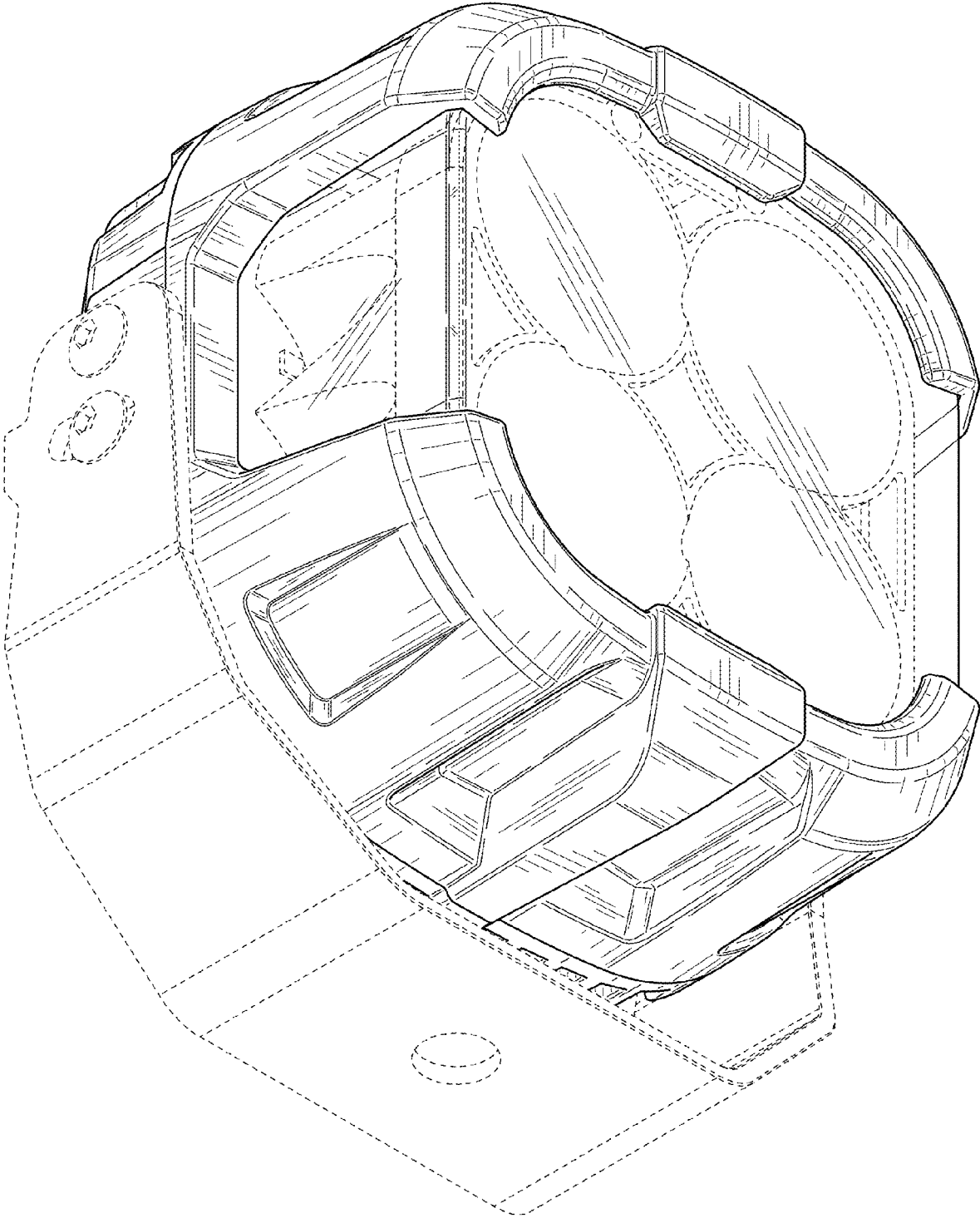


FIG. 8

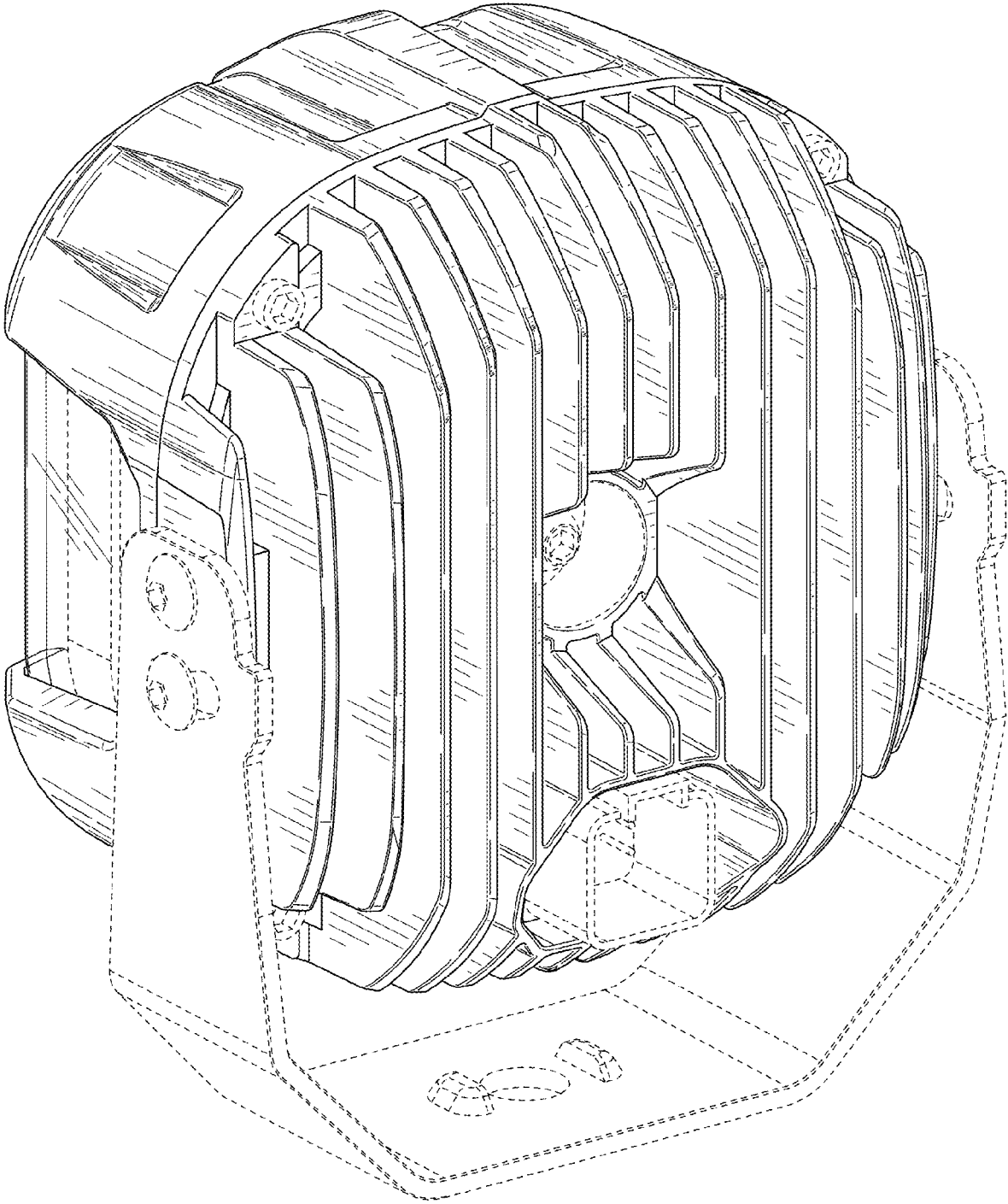


FIG. 9