



US00D333373S

United States Patent [19]

[11] Patent Number: Des. 333,373

Pacelli

[45] Date of Patent: ** Feb. 16, 1993

[54] BELT MOUNTED COIN TARGET

5,064,195 11/1991 McMahan et al. 273/1.5 R

[76] Inventor: **Raymond Pacelli**, 209 S. Pine St.,
Hazleton, Pa. 18201

Primary Examiner—Alan P. Douglas
Assistant Examiner—J. H. Musgrove
Attorney, Agent, or Firm—Eckert Seamans Cherin &
Mellott

[**] Term: **14 Years**

[21] Appl. No.: **636,389**

[57] CLAIM

[22] Filed: **Dec. 31, 1990**

The ornamental design for a belt mounted coin target,
as shown and described.

[52] U.S. Cl. **D99/37**

[58] Field of Search D99/37, 99; D3/100;
D21/201; 273/1.5, 4.2, 414, 440

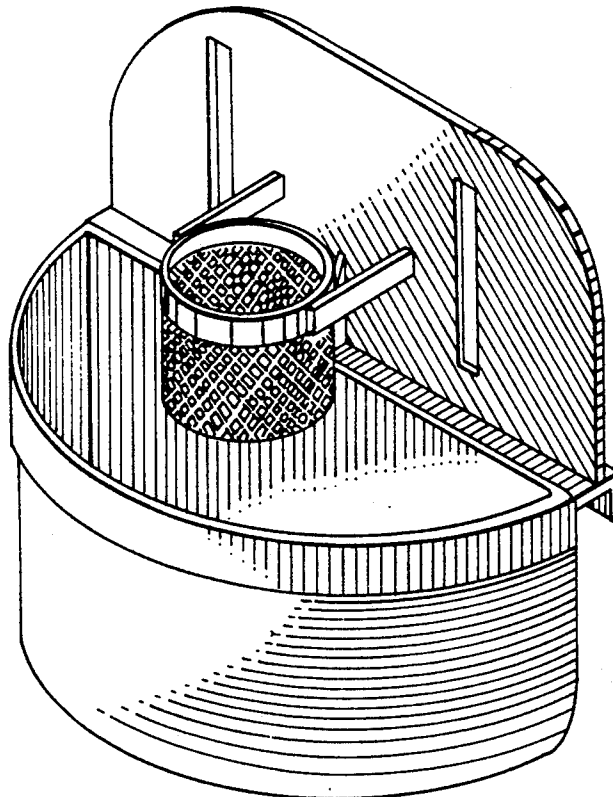
DESCRIPTION

[56] References Cited

U.S. PATENT DOCUMENTS

D. 327,981	7/1992	Speers	D21/201
3,610,622	10/1971	Haroski	273/414
4,248,435	2/1981	Barmore	273/414
4,718,676	1/1988	Collin, Jr.	273/412

FIG. 1 is a top, front and right-side perspective view of a belt mounted coin target showing my new design; FIG. 2 is a front elevational view thereof; FIG. 3 is a right side elevational view thereof, the left side being a mirror image; FIG. 4 is a top plan view thereof; FIG. 5 is a rear elevational view thereof; and, FIG. 6 is a bottom plan view thereof.



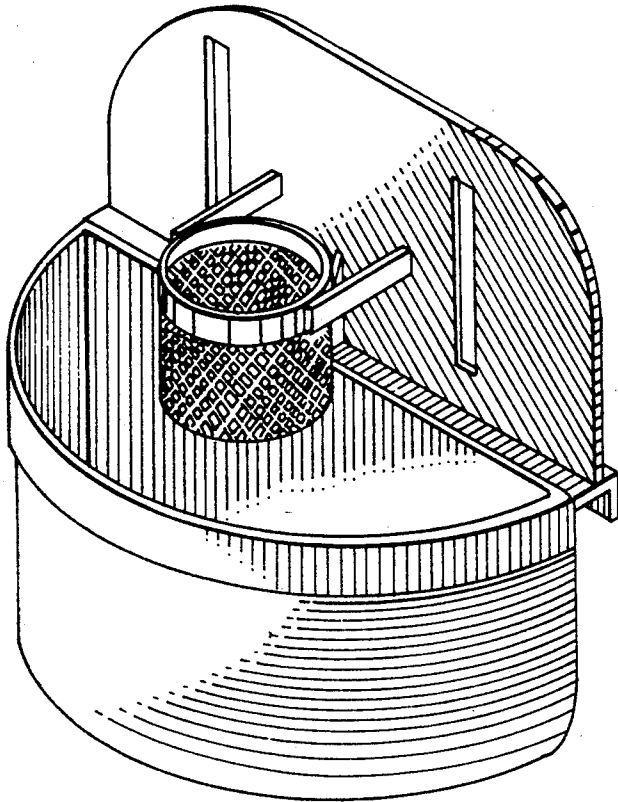


Fig. 1.

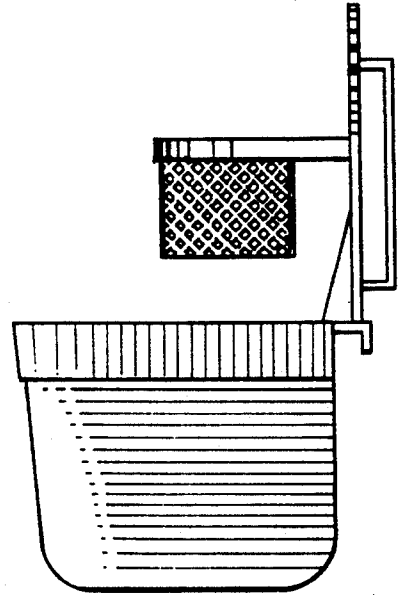


Fig. 3.

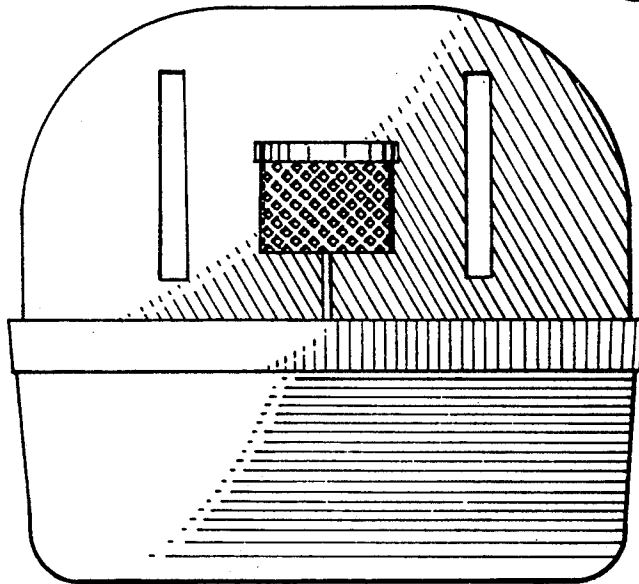


Fig. 2.

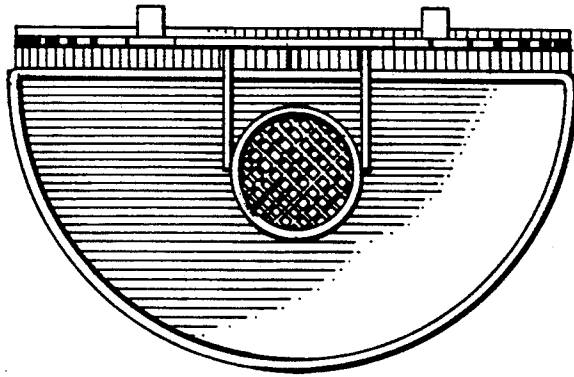


Fig. 4.

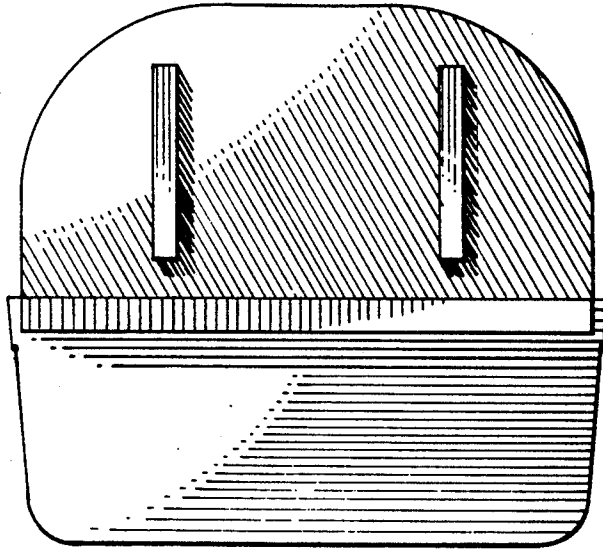


Fig. 5.

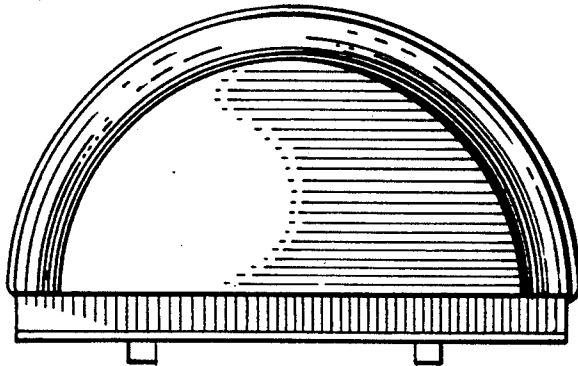


Fig. 6.