



US00D348960S

United States Patent [19]

[11] Patent Number: **Des. 348,960**

McCaffrey

[45] Date of Patent: **** Jul. 19, 1994**

[54] **WORKSTATION WITH AN EQUIPMENT RACK**

[56] **References Cited**

[75] Inventor: **Jeffrey T. McCaffrey**, Portland, Oreg.

U.S. PATENT DOCUMENTS

| | | | |
|------------|--------|----------------|--------|
| D. 144,568 | 4/1946 | Johnson | D6/474 |
| D. 176,490 | 1/1956 | Adler | D6/474 |
| D. 315,261 | 3/1991 | Ng et al. | D34/20 |
| D. 323,259 | 1/1992 | Evans | D6/474 |

[73] Assignee: **Anthro Corporation**, Portland, Oreg.

Primary Examiner—Kay H. Chin
Attorney, Agent, or Firm—Stoel Rives Boley Jones & Grey

[**] Term: **14 Years**

[21] Appl. No.: **3,391**

[57] CLAIM

[22] Filed: **Jan. 5, 1993**

Th ornamental design for a workstation with an equipment rack, as shown and described.

Related U.S. Application Data

DESCRIPTION

- [63] Continuation-in-part of Ser. No. 1,920, Nov. 24, 1992.
- [52] U.S. Cl. **D34/20; D34/17**
- [58] **Field of Search** 280/47.35, 47.34, 79.2, 280/79.3; 211/133, 177; 312/297, 322, 108, 257, 100, 250; D6/477, 478, 479, 474, 431, 487; D34/12, 17, 19, 20, 21

FIG. 1 is a top, front and right side perspective view of a workstation with an equipment rack showing my new design;
 FIG. 2 is a top plan view thereof;
 FIG. 3 is a bottom plan view thereof;
 FIG. 4 is a right side elevational view thereof;
 FIG. 5 is a front elevational view thereof; and,
 FIG. 6 is a rear elevational view thereof.

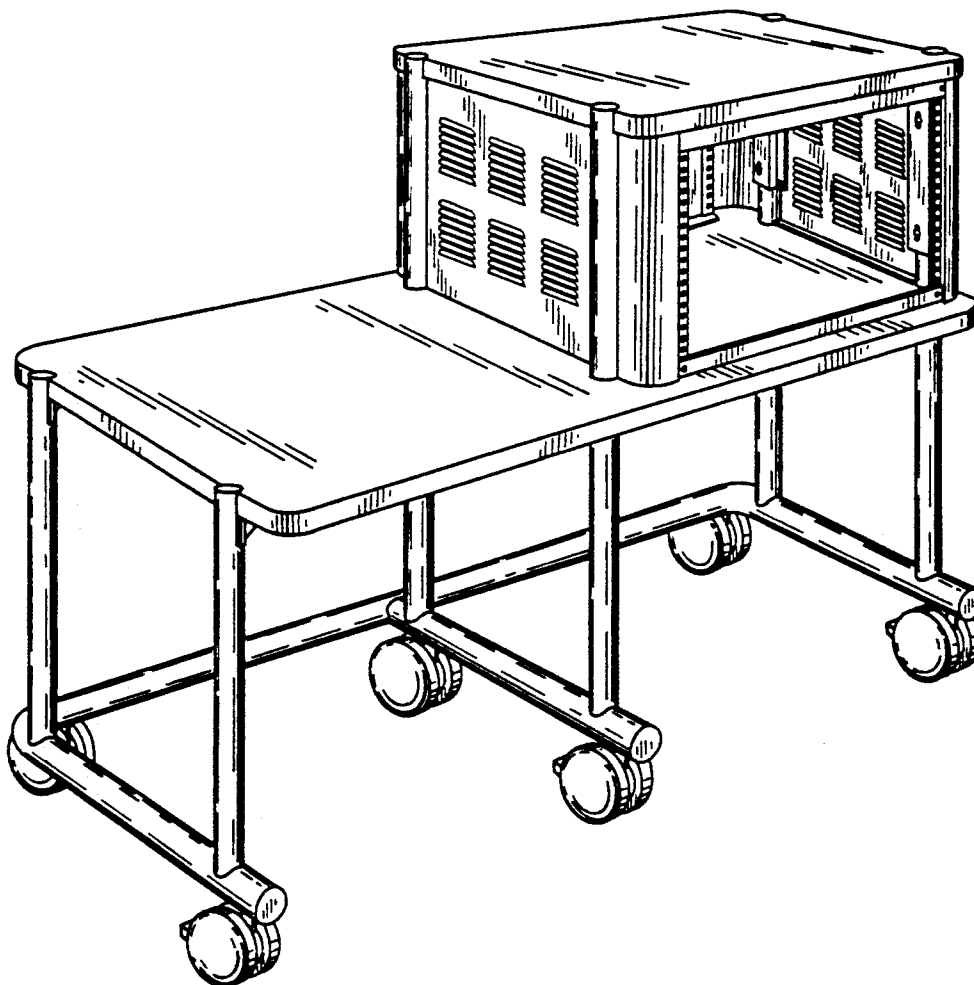


FIG. 1

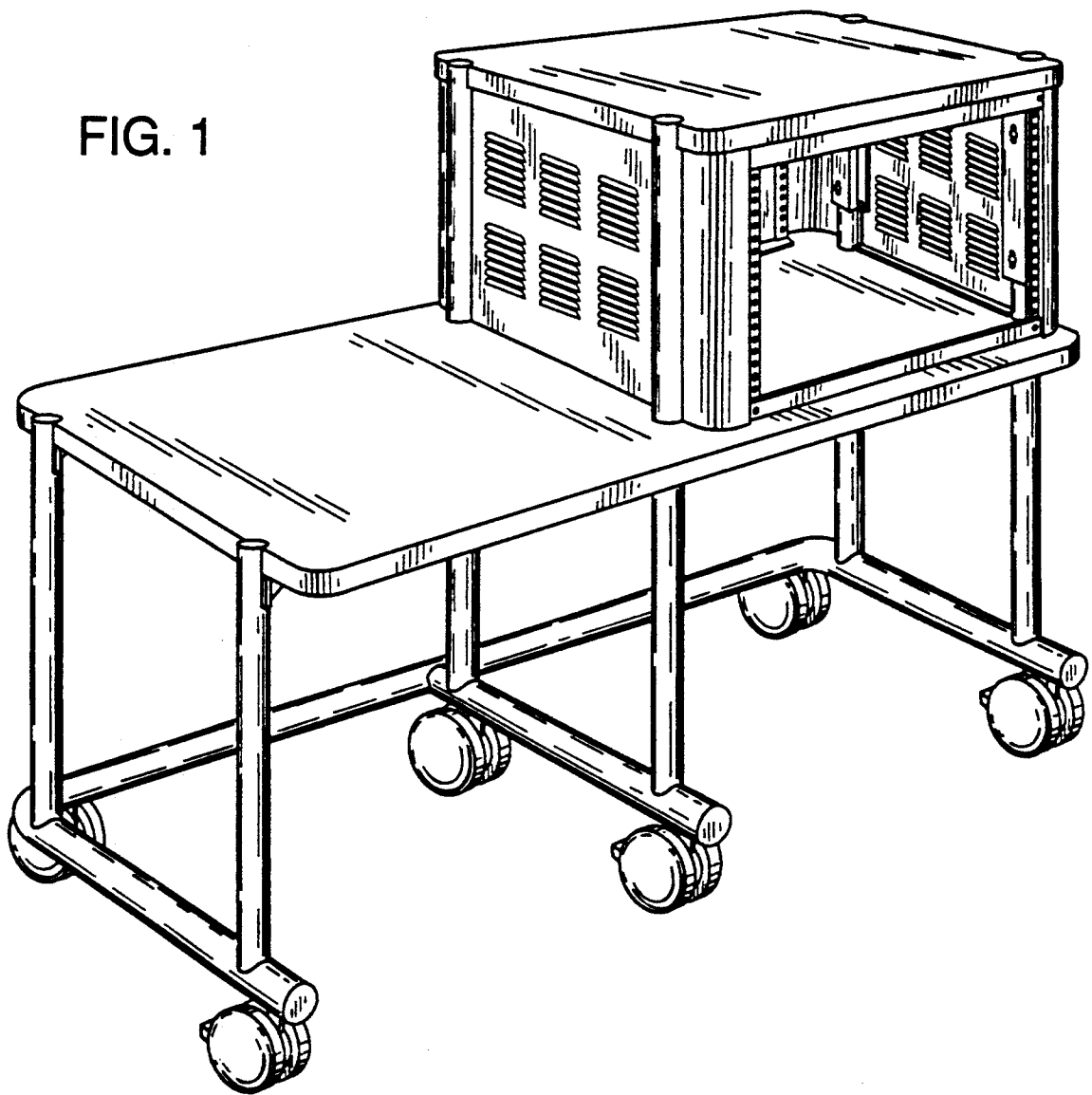


FIG. 2

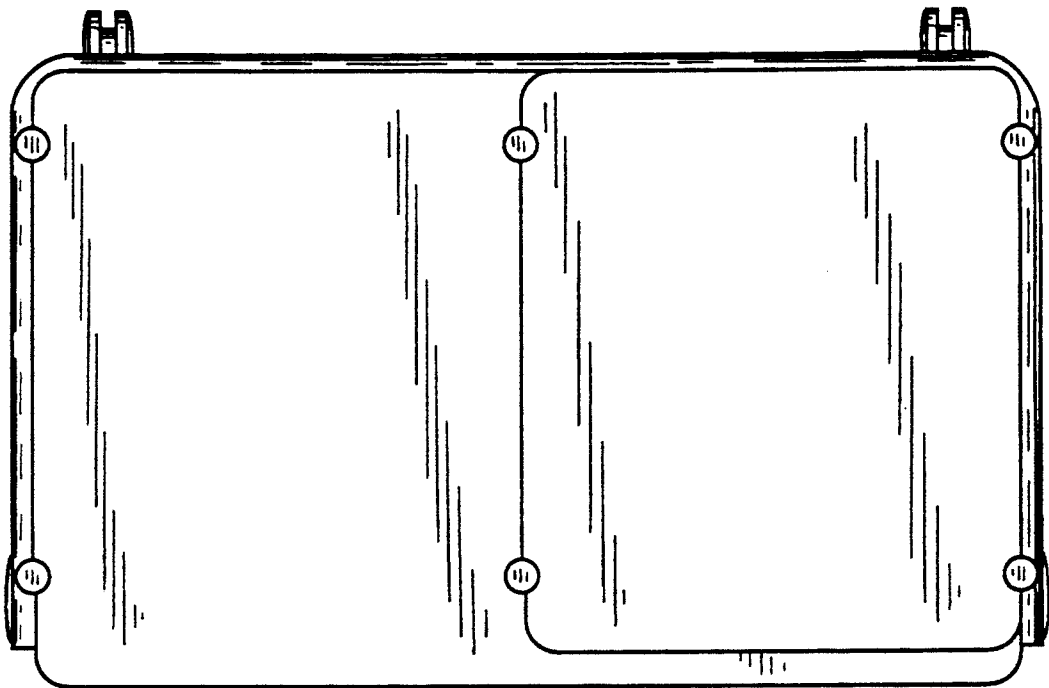


FIG. 3

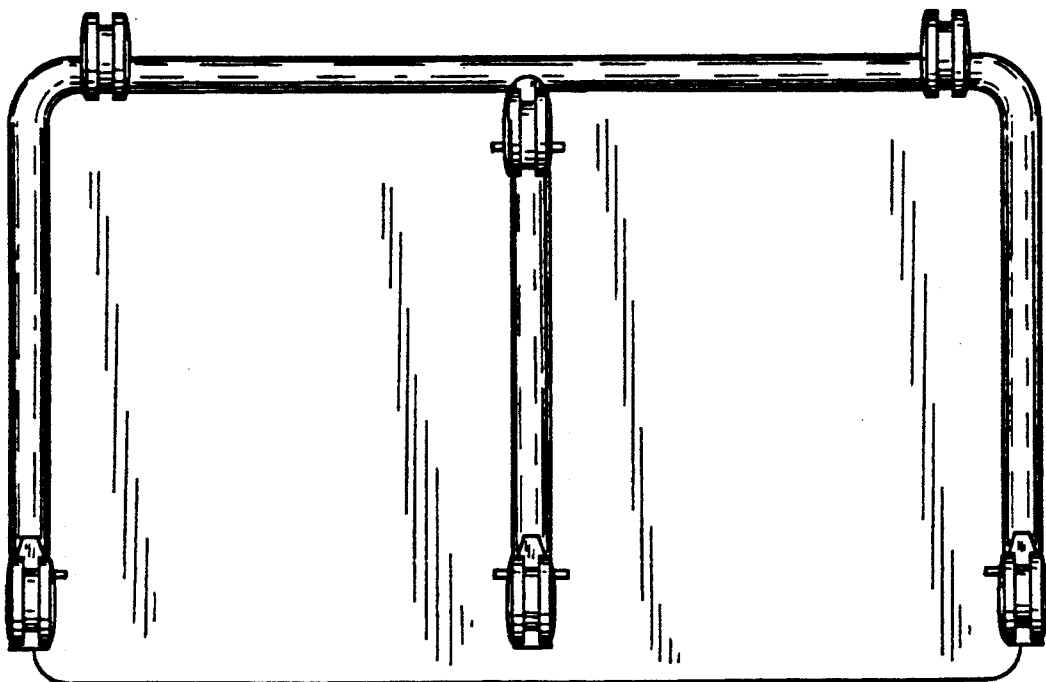


FIG. 4

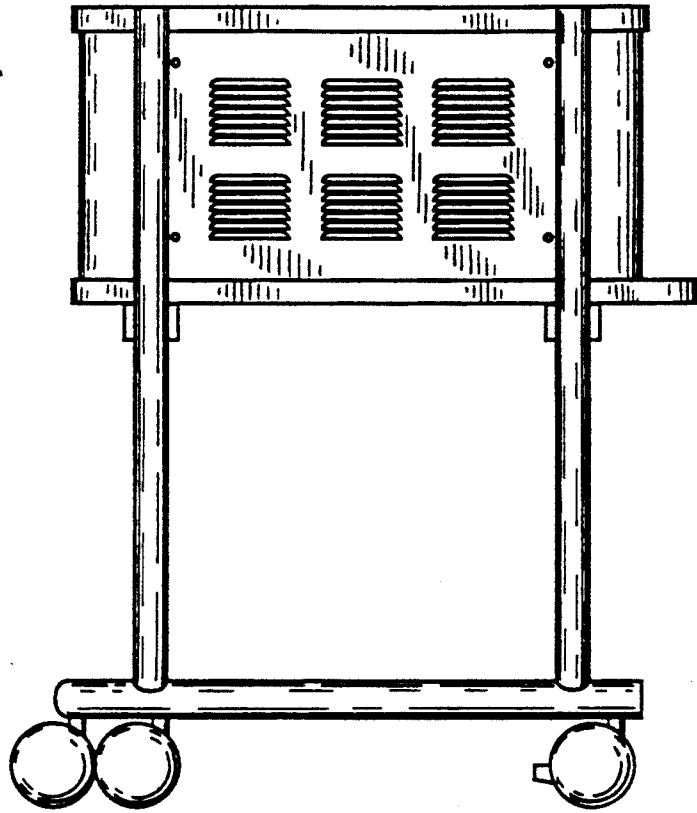
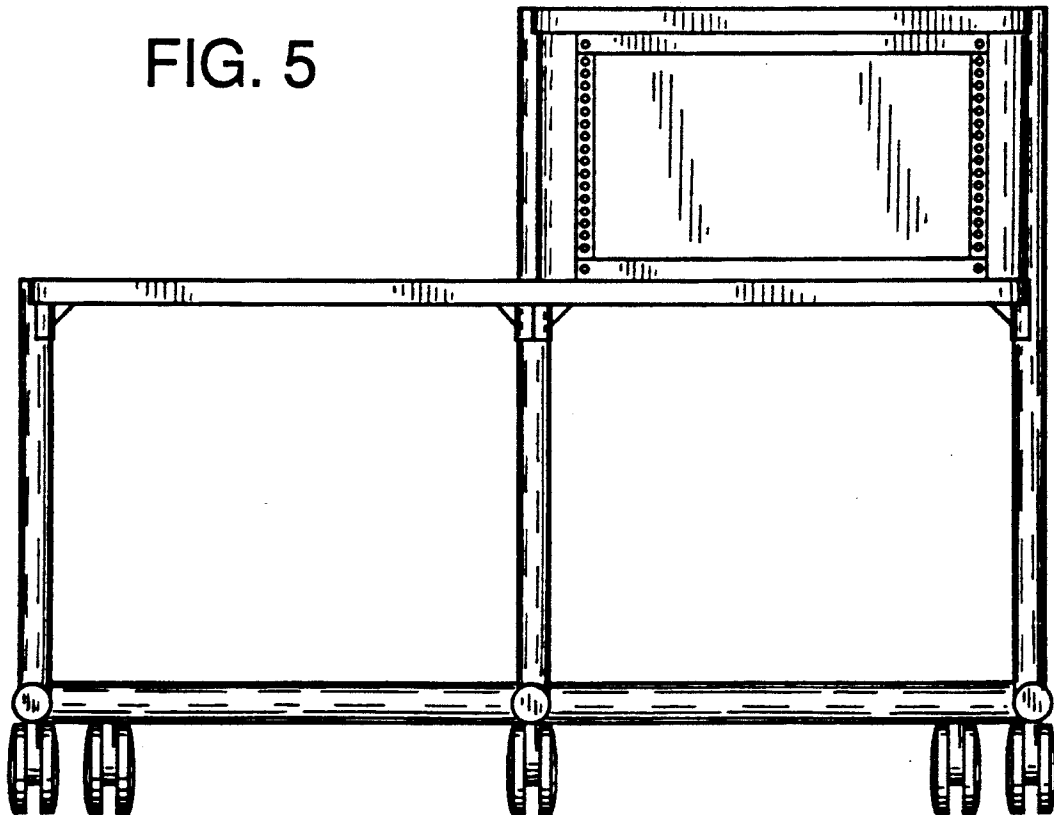


FIG. 5



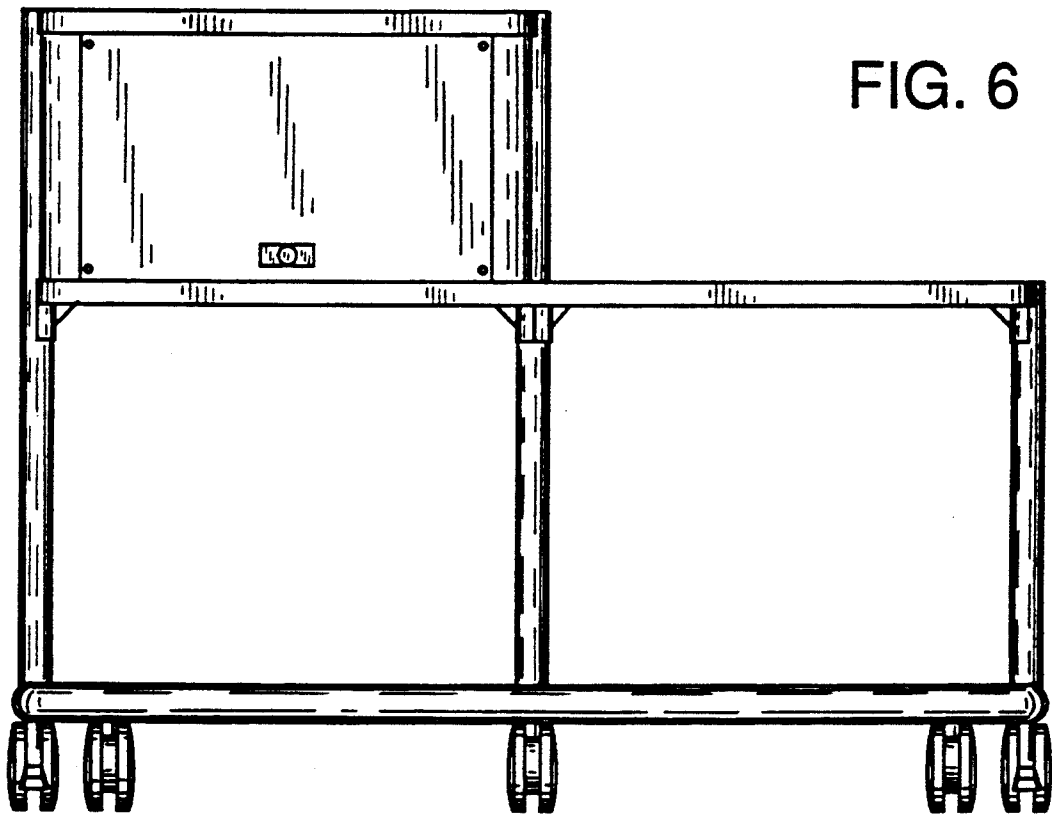


FIG. 6