

(19) World Intellectual Property Organization
International Bureau



(43) International Publication Date
25 October 2001 (25.10.2001)

PCT

(10) International Publication Number
WO 01/080033 A3

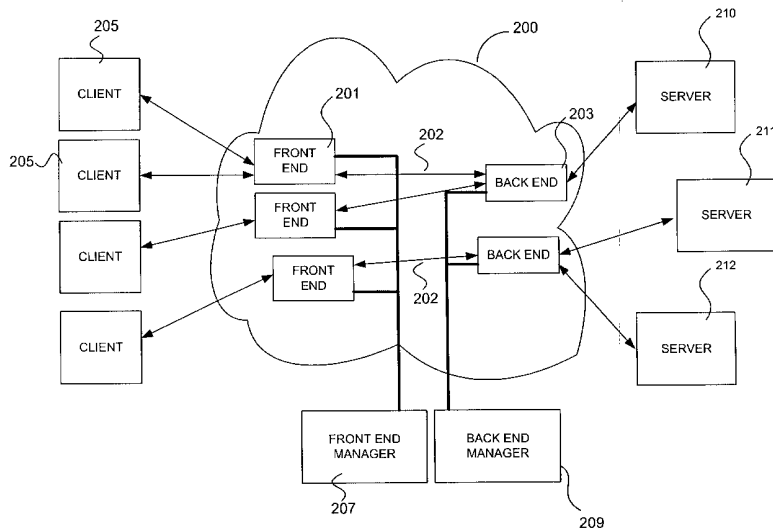
- (51) International Patent Classification⁷: H04L 29/06
- (21) International Application Number: PCT/US01/12515
- (22) International Filing Date: 16 April 2001 (16.04.2001)
- (25) Filing Language: English
- (26) Publication Language: English
- (30) Priority Data:
60/197,490 17 April 2000 (17.04.2000) US
- (71) Applicant: CIRCADENCE CORPORATION [US/US];
Suite 101, 4888 Pearl East Circle, Boulder, CO 80301 (US).
- (72) Inventors: VANGE, Mark; 2800 1 Adelaide Street East,
Toronto, Ontario M5C 2V9 (CA). PLUMB, Marc; 2800-1
Adelaide Street East, Toronto, Ontario M5C 2V9 (CA).
KOUTS, Michael; 42 Rameau Drive, Toronto, Ontario
M2H 1T4 (CA). WILSON, Glenn, Sydney; #204-137
Roncesvalles Avenue, Toronto, Ontario M6R 2LS (CA).
- (74) Agents: BURTON, Carol, W. et al.; Hogan & Hartson
LLP, Suite 1500, 1200 17th Street, Denver, CO 80202 (US).
- (81) Designated States (*national*): AE, AG, AL, AM, AT, AU,
AZ, BA, BB, BG, BR, BY, BZ, CA, CH, CN, CO, CR, CU,
CZ, DE, DK, DM, DZ, EE, ES, FI, GB, GD, GE, GH, GM,
HR, HU, ID, IL, IN, IS, JP, KE, KG, KP, KR, KZ, LC, LK,
LR, LS, LT, LU, LV, MA, MD, MG, MK, MN, MW, MX,
MZ, NO, NZ, PL, PT, RO, RU, SD, SE, SG, SI, SK, SL,
TJ, TM, TR, TT, TZ, UA, UG, UZ, VN, YU, ZA, ZW.
- (84) Designated States (*regional*): ARIPO patent (GH, GM,
KE, LS, MW, MZ, SD, SL, SZ, TZ, UG, ZW), Eurasian
patent (AM, AZ, BY, KG, KZ, MD, RU, TJ, TM), European
patent (AT, BE, CH, CY, DE, DK, ES, FI, FR, GB, GR, IE,
IT, LU, MC, NL, PT, SE, TR), OAPI patent (BF, BJ, CF,
CG, CI, CM, GA, GN, GW, ML, MR, NE, SN, TD, TG).

Published:
— with international search report

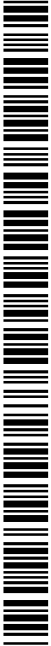
(88) Date of publication of the international search report:
3 October 2002

[Continued on next page]

(54) Title: SYSTEM AND METHOD FOR IMPLEMENTING APPLICATION -INDEPENDENT FUNCTIONALITY WITHIN A NETWORK INFRASTRUCTURE



(57) Abstract: A system and method for implementing functionality within a network on behalf of first and second computers communicating with each other through the network. A front-end computer is provided within the network having an interface for communicating data traffic with the first computer. A back-end computer is also implemented within the network having an interface for communicating data traffic with the second computer. A communication channel couples the front-end computer and the back-end computer. Data traffic is encoded over the communication channel in a first process in the front-end computer. Data traffic is also encoded over the communication channel in a second process in the back-end computer, wherein the first process and the second process implement compatible semantics.



WO 01/080033 A3



For two-letter codes and other abbreviations, refer to the "Guidance Notes on Codes and Abbreviations" appearing at the beginning of each regular issue of the PCT Gazette.

INTERNATIONAL SEARCH REPORT

Internat. Application No
PCT/US 01/12515

A. CLASSIFICATION OF SUBJECT MATTER
IPC 7 H04L29/06

According to International Patent Classification (IPC) or to both national classification and IPC

B. FIELDS SEARCHED

Minimum documentation searched (classification system followed by classification symbols)
IPC 7 H04L

Documentation searched other than minimum documentation to the extent that such documents are included in the fields searched

Electronic data base consulted during the international search (name of data base and, where practical, search terms used)

EPO-Internal, WPI Data, PAJ, INSPEC

C. DOCUMENTS CONSIDERED TO BE RELEVANT

Category °	Citation of document, with indication, where appropriate, of the relevant passages	Relevant to claim No.
X	US 5 258 983 A (LANE M THAO ET AL) 2 November 1993 (1993-11-02) abstract	1-3,6,7
A	column 2, line 64 -column 3, line 3 ---	4,5,8
Y	US 5 673 322 A (BROCKMAN JAMES JOSEPH ET AL) 30 September 1997 (1997-09-30) abstract	9,12,13
A	column 5, paragraph 6 -column 6, paragraph 2 column 8, line 61 - line 64 figures 3,5 column 10, line 56 -column 11, line 4 --- -/--	10,11, 14-17

Further documents are listed in the continuation of box C.

Patent family members are listed in annex.

° Special categories of cited documents:

- *A* document defining the general state of the art which is not considered to be of particular relevance
- *E* earlier document but published on or after the international filing date
- *L* document which may throw doubts on priority claim(s) or which is cited to establish the publication date of another citation or other special reason (as specified)
- *O* document referring to an oral disclosure, use, exhibition or other means
- *P* document published prior to the international filing date but later than the priority date claimed

- *T* later document published after the international filing date or priority date and not in conflict with the application but cited to understand the principle or theory underlying the invention
- *X* document of particular relevance; the claimed invention cannot be considered novel or cannot be considered to involve an inventive step when the document is taken alone
- *Y* document of particular relevance; the claimed invention cannot be considered to involve an inventive step when the document is combined with one or more other such documents, such combination being obvious to a person skilled in the art.
- * & * document member of the same patent family

Date of the actual completion of the international search

25 February 2002

Date of mailing of the international search report

10.06.2002

Name and mailing address of the ISA
European Patent Office, P.B. 5818 Patentlaan 2
NL - 2280 HV Rijswijk
Tel. (+31-70) 340-2040, Tx. 31 651 epo nl,
Fax: (+31-70) 340-3016

Authorized officer

Blanco Cardona, P

INTERNATIONAL SEARCH REPORT

Internat. Application No

PCT/US 01/12515

C.(Continuation) DOCUMENTS CONSIDERED TO BE RELEVANT		
Category °	Citation of document, with indication, where appropriate, of the relevant passages	Relevant to claim No.
X	WO 99 57620 A (SONERA OY ;TOEHOENEN HARRI (FI)) 11 November 1999 (1999-11-11) abstract	18
Y	page 3, line 15 - line 25	9,12,13
A	figure 1 -----	15,17

INTERNATIONAL SEARCH REPORT

International application No.
PCT/US 01/12515

Box I Observations where certain claims were found unsearchable (Continuation of item 1 of first sheet)

This International Search Report has not been established in respect of certain claims under Article 17(2)(a) for the following reasons:

1. Claims Nos.:
because they relate to subject matter not required to be searched by this Authority, namely:

2. Claims Nos.:
because they relate to parts of the International Application that do not comply with the prescribed requirements to such an extent that no meaningful International Search can be carried out, specifically:

3. Claims Nos.:
because they are dependent claims and are not drafted in accordance with the second and third sentences of Rule 6.4(a).

Box II Observations where unity of invention is lacking (Continuation of item 2 of first sheet)

This International Searching Authority found multiple inventions in this international application, as follows:

see additional sheet

1. As all required additional search fees were timely paid by the applicant, this International Search Report covers all searchable claims.

2. As all searchable claims could be searched without effort justifying an additional fee, this Authority did not invite payment of any additional fee.

3. As only some of the required additional search fees were timely paid by the applicant, this International Search Report covers only those claims for which fees were paid, specifically claims Nos.:

4. No required additional search fees were timely paid by the applicant. Consequently, this International Search Report is restricted to the invention first mentioned in the claims; it is covered by claims Nos.:

1-18

Remark on Protest

- The additional search fees were accompanied by the applicant's protest.
- No protest accompanied the payment of additional search fees.

FURTHER INFORMATION CONTINUED FROM PCT/ISA/ 210

This International Searching Authority found multiple (groups of) inventions in this international application, as follows:

1. Claims: 1-18

System and method comprising communication of quality of service information about the communication channel

2. Claims: 19-31

Data transport mechanism comprising a blender to multiplex data transport links in a shared-bandwidth channel

INTERNATIONAL SEARCH REPORT

Information on patent family members

Intern: Application No
PCT/US 01/12515

Patent document cited in search report		Publication date	Patent family member(s)	Publication date
US 5258983	A	02-11-1993	FR 2670973 A1	26-06-1992
			AT 140834 T	15-08-1996
			DE 69121076 D1	29-08-1996
			DE 69121076 T2	20-02-1997
			EP 0493286 A1	01-07-1992
US 5673322	A	30-09-1997	AU 707755 B2	22-07-1999
			AU 5525696 A	10-10-1997
			CA 2247536 A1	25-09-1997
			CN 1215518 A	28-04-1999
			EP 0885501 A1	23-12-1998
			JP 11507152 T	22-06-1999
			TW 388158 B	21-04-2000
WO 9735402 A1	25-09-1997			
WO 9957620	A	11-11-1999	FI 980985 A	05-11-1999
			AU 3828899 A	23-11-1999
			WO 9957620 A2	11-11-1999