

(19) World Intellectual Property Organization  
International Bureau



(43) International Publication Date  
16 November 2006 (16.11.2006)

PCT

(10) International Publication Number  
**WO 2006/122085 A3**

- (51) International Patent Classification:  
*G06K 7/00* (2006.01)
- (21) International Application Number:  
PCT/US2006/017845
- (22) International Filing Date: 9 May 2006 (09.05.2006)
- (25) Filing Language: English
- (26) Publication Language: English
- (30) Priority Data:  
2005-135825 9 May 2005 (09.05.2005) JP
- (71) Applicant (for all designated States except US): **MOLEX INCORPORATED** [US/US]; 2222 Wellington Court, Lisle, IL 60532 (US).

AT, AU, AZ, BA, BB, BG, BR, BW, BY, BZ, CA, CH, CN, CO, CR, CU, CZ, DE, DK, DM, DZ, EC, EE, EG, ES, FI, GB, GD, GE, GH, GM, HR, HU, ID, IL, IN, IS, JP, KE, KG, KM, KN, KP, KR, KZ, LC, LK, LR, LS, LT, LU, LV, LY, MA, MD, MG, MK, MN, MW, MX, MZ, NA, NG, NI, NO, NZ, OM, PG, PH, PL, PT, RO, RU, SC, SD, SE, SG, SK, SL, SM, SY, TJ, TM, TN, TR, TT, TZ, UA, UG, US, UZ, VC, VN, YU, ZA, ZM, ZW.

- (72) Inventors; and
- (75) Inventors/Applicants (for US only): **MATSUMOTO, Yasuyoshi** [JP/JP]; 1-5-4 Fukami-Higashi, Yamato-City, Kanagawa 242-8585 (JP). **TOMITA, Mitsuhiro** (JP).

(84) Designated States (unless otherwise indicated, for every kind of regional protection available): ARIPO (BW, GH, GM, KE, LS, MW, MZ, NA, SD, SL, SZ, TZ, UG, ZM, ZW), Eurasian (AM, AZ, BY, KG, KZ, MD, RU, TJ, TM), European (AT, BE, BG, CH, CY, CZ, DE, DK, EE, ES, FI, FR, GB, GR, HU, IE, IS, IT, LT, LU, LV, MC, NL, PL, PT, RO, SE, SI, SK, TR), OAPI (BF, BJ, CF, CG, CI, CM, GA, GN, GQ, GW, ML, MR, NE, SN, TD, TG).

- (74) Agent: **COHEN, Charles, S.**; MOLEX INCORPORATED, 2222 Wellington Court, Lisle, IL 60532 (US).

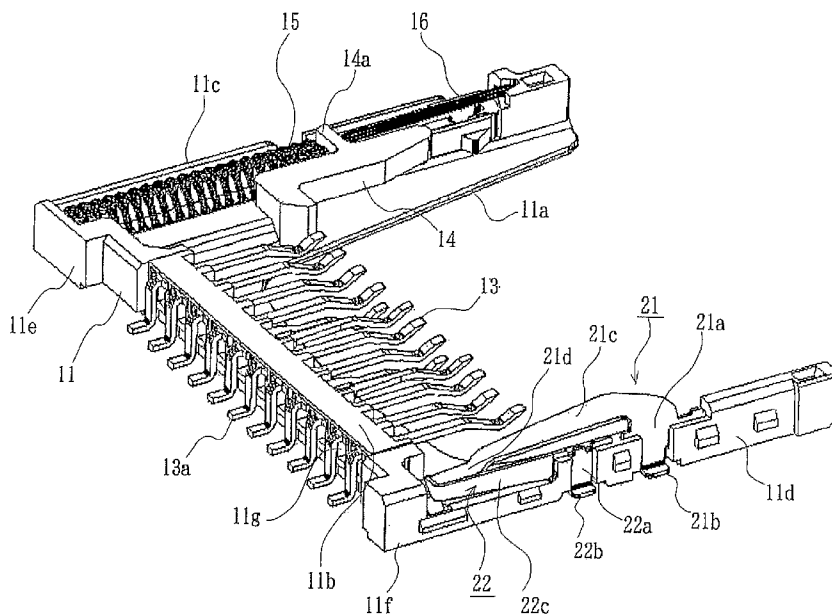
Published:  
— with international search report

- (81) Designated States (unless otherwise indicated, for every kind of national protection available): AE, AG, AL, AM,

(88) Date of publication of the international search report:  
29 March 2007

For two-letter codes and other abbreviations, refer to the "Guidance Notes on Codes and Abbreviations" appearing at the beginning of each regular issue of the PCT Gazette.

(54) Title: CARD CONNECTOR



(57) Abstract: A card connector is configured for receiving a card having contact pads with the card having a thickness and a width perpendicular to the thickness. The card connector includes a housing with a slot for receiving the card and conductive terminals within the housing and which contact the contact pads of the card. A switch includes a first contact member and a second contact member wherein the first contact member is moveable in a direction parallel to the thickness direction of the card upon insertion of the card into the housing such that the first contact member moves relative to the second contact member.

WO 2006/122085 A3

**INTERNATIONAL SEARCH REPORT**

International application No  
PCT/US2006/017845

**A. CLASSIFICATION OF SUBJECT MATTER**  
INV. G06K7/00

According to International Patent Classification (IPC) or to both national classification and IPC

**B. FIELDS SEARCHED**  
Minimum documentation searched (classification system followed by classification symbols)  
G06K

Documentation searched other than minimum documentation to the extent that such documents are included in the fields searched

Electronic data base consulted during the international search (name of data base and, where practical, search terms used)  
EPO-Internal

**C. DOCUMENTS CONSIDERED TO BE RELEVANT**

Category*	Citation of document, with indication, where appropriate, of the relevant passages	Relevant to claim No.
X A	EP 0 908 981 A2 (ALPS ELECTRIC CO LTD [JP]) 14 April 1999 (1999-04-14) paragraph [0034] - paragraph [0037]  figure 11	1,2,7,8, 10,15 3-6,9, 11-14
X	US 6 305 960 B1 (FAN CHIA HAO [TW]) 23 October 2001 (2001-10-23) figures 1,5	1,2

Further documents are listed in the continuation of Box C.       See patent family annex.

\* Special categories of cited documents :

"A" document defining the general state of the art which is not considered to be of particular relevance	"T" later document published after the international filing date or priority date and not in conflict with the application but cited to understand the principle or theory underlying the invention
"E" earlier document but published on or after the international filing date	"X" document of particular relevance; the claimed invention cannot be considered novel or cannot be considered to involve an inventive step when the document is taken alone
"L" document which may throw doubts on priority claim(s) or which is cited to establish the publication date of another citation or other special reason (as specified)	"Y" document of particular relevance; the claimed invention cannot be considered to involve an inventive step when the document is combined with one or more other such documents, such combination being obvious to a person skilled in the art.
"O" document referring to an oral disclosure, use, exhibition or other means	"&" document member of the same patent family
"P" document published prior to the international filing date but later than the priority date claimed	

Date of the actual completion of the international search  20 October 2006	Date of mailing of the international search report  27/10/2006
--	--

Name and mailing address of the ISA/ European Patent Office, P.B. 5818 Patentlaan 2 NL - 2280 HV Rijswijk Tel. (+31-70) 340-2040, Tx. 31 651 epo nl, Fax: (+31-70) 340-3016	Authorized officer  Goossens, Ton
---	---

# INTERNATIONAL SEARCH REPORT

Information on patent family members

International application No

PCT/US2006/017845

Patent document cited in search report	Publication date	Patent family member(s)	Publication date	
EP 0908981	A2	14-04-1999	DE 69812831 D1	08-05-2003
			DE 69812831 T2	13-11-2003
			JP 3288277 B2	04-06-2002
			JP 11097110 A	09-04-1999
			US 6059592 A	09-05-2000
US 6305960	B1	23-10-2001	TW 474496 Y	21-01-2002