



US00D613348S

(12) **United States Design Patent**
McVan et al.

(10) **Patent No.:** **US D613,348 S**

(45) **Date of Patent:** **** Apr. 6, 2010**

(54) **SET OF HANDLES WITH GRIPS FOR PERFORMING EXERCISES**

(75) Inventors: **Michael McVan**, Wellington, FL (US);
Joshua Kahn, Wellington, FL (US)

(73) Assignee: **Perfect Pecs, LLC**, Wellington, FL (US)

(**) Term: **14 Years**

(21) Appl. No.: **29/314,912**

(22) Filed: **May 7, 2009**

(51) **LOC (9) Cl.** **21-02**

(52) **U.S. Cl.** **D21/662; D21/694; D21/682**

(58) **Field of Classification Search** D21/662,
D21/680-684, 692, 694, 756; 482/44, 45,
482/46, 49, 105-108, 114, 115, 148; D8/14,
D8/107, 303, 313; 15/104.92, 160

See application file for complete search history.

(56) **References Cited**

U.S. PATENT DOCUMENTS

D212,104	S	*	8/1968	McDonald	D21/662
3,756,467	A	*	9/1973	Anketell	222/78
4,105,200	A	*	8/1978	Unger	482/44
D278,879	S	*	5/1985	Hwung	D8/303
D280,337	S	*	8/1985	Hood	D21/682
5,556,003	A	*	9/1996	Johnson et al.	222/39
5,910,070	A	*	6/1999	Henry et al.	482/4
D418,557	S	*	1/2000	Cousins	D21/672
6,770,011	B1	*	8/2004	Hinds	482/44
D584,312	S	*	1/2009	Bishop	D14/412
2007/0155599	A1	*	7/2007	Hallar	482/108

* cited by examiner

Primary Examiner—Philip S Hyder
Assistant Examiner—Susan E Krakower
(74) *Attorney, Agent, or Firm*—Robert M. Downey, PA

(57) **CLAIM**

The ornamental design for a set of handles with grips for performing exercises, as shown and described.

DESCRIPTION

FIG. 1 is a top perspective view of a set of handles with grips for performing exercises, showing our new design;

FIG. 2 is a left side elevational view of the left handle of FIG. 1, the right side elevational view of the right handle being a mirror image thereof;

FIG. 3 is a right side elevational view of the left handle of FIG. 1, the left side elevational view of the right handle being a mirror image thereof;

FIG. 4 is a rear elevational view of the left handle, the rear elevational view of the right handle being a mirror image thereof;

FIG. 5 is a front elevational view of the left handle, the front elevational view of the right handle being a mirror image thereof;

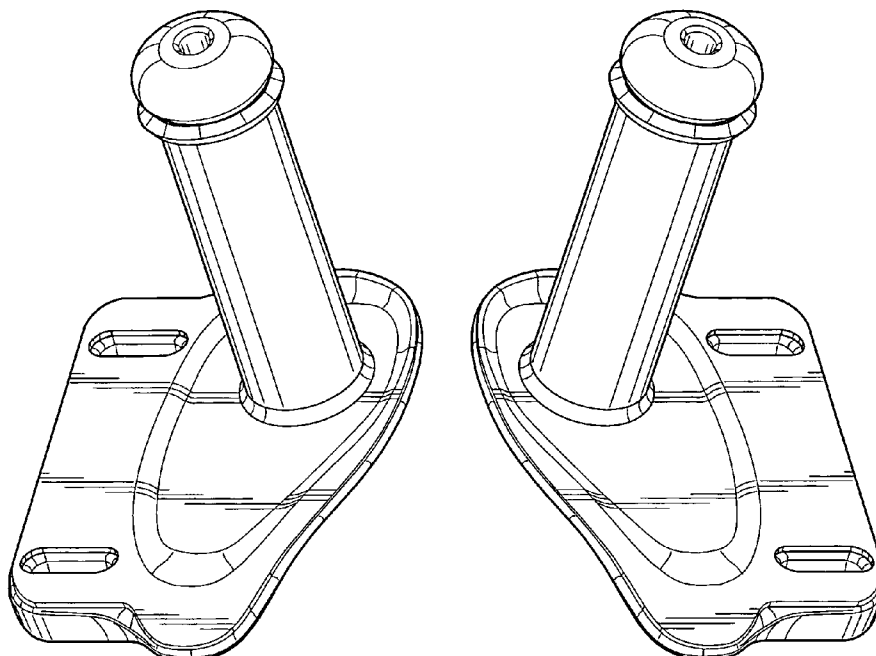
FIG. 6 is a top plan view of the left handle, the top plan view of the right handle being a mirror image thereof;

FIG. 7 is a bottom plan view of the left handle, the bottom plan view of the right handle being a mirror image thereof; and,

FIG. 8 is a top, front perspective view of the left handle shown with straps in broken lines.

The broken lines in the drawings represent unclaimed environmental subject matter.

1 Claim, 5 Drawing Sheets



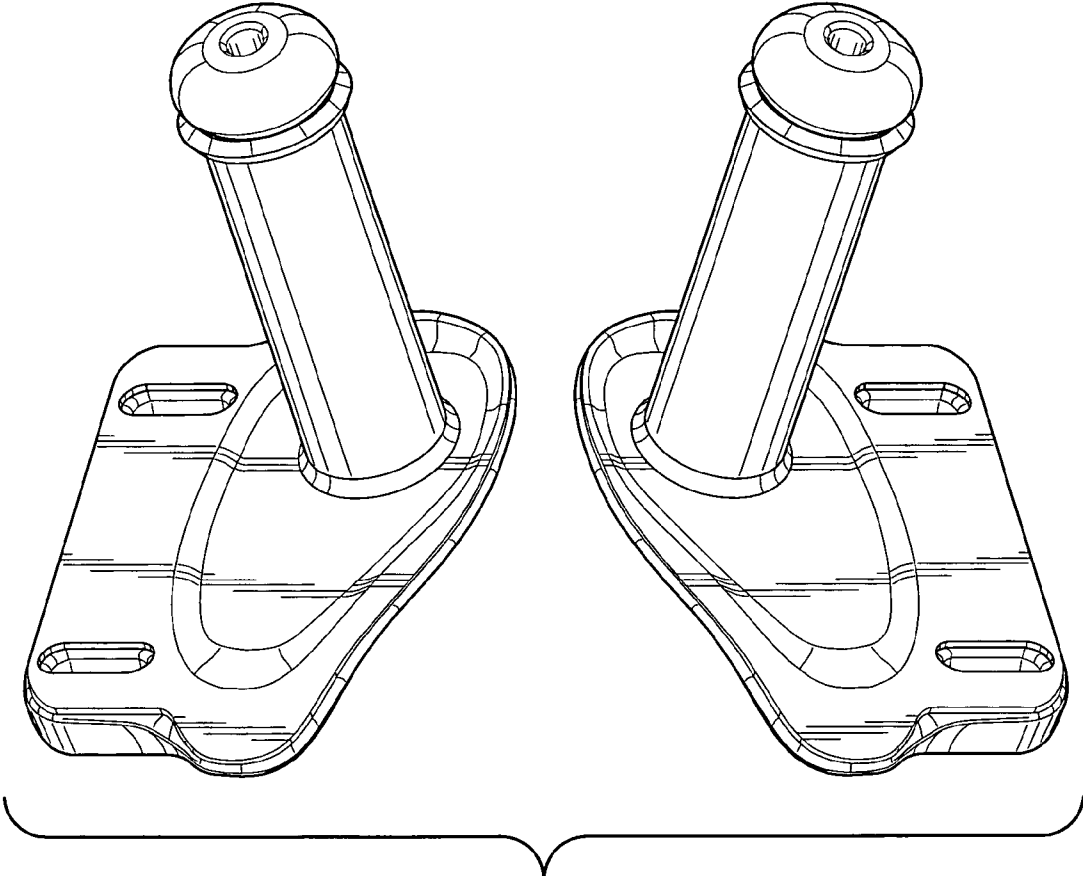


FIG. 1

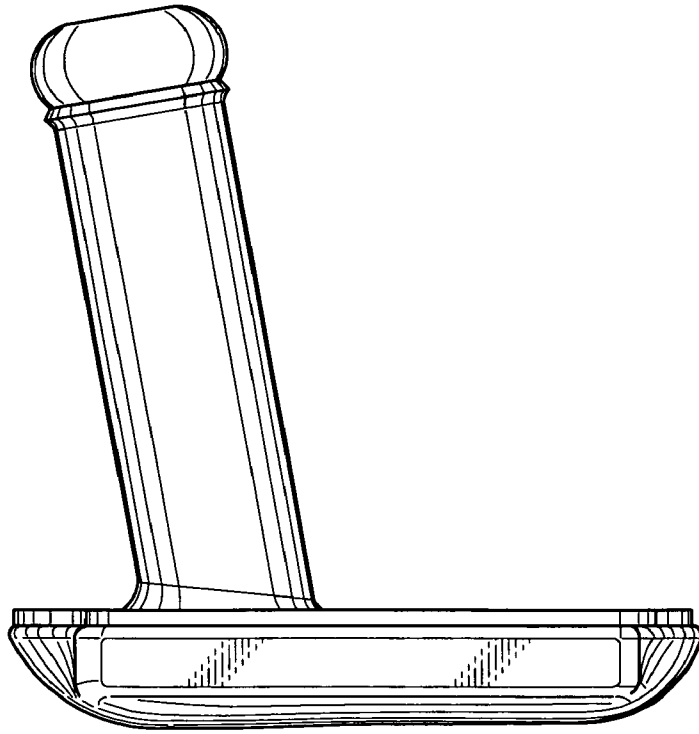


FIG. 2

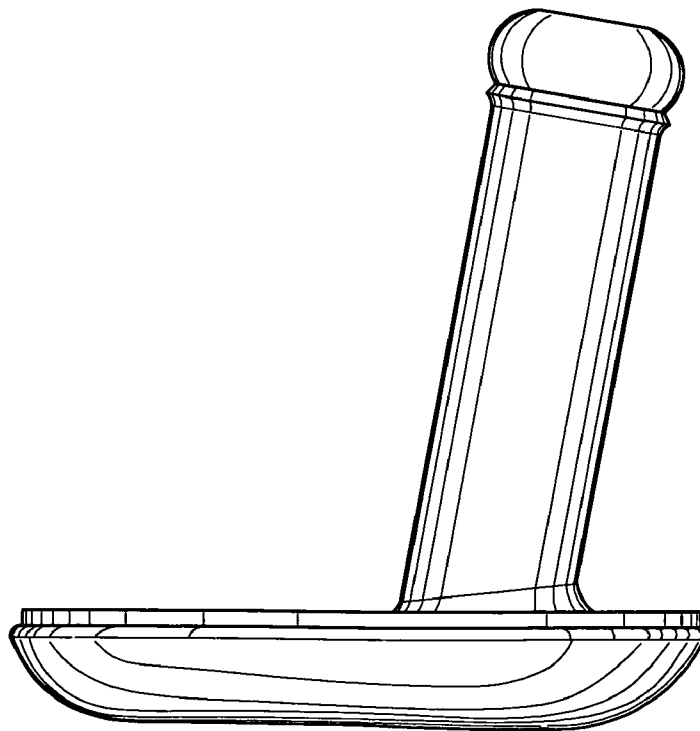


FIG. 3

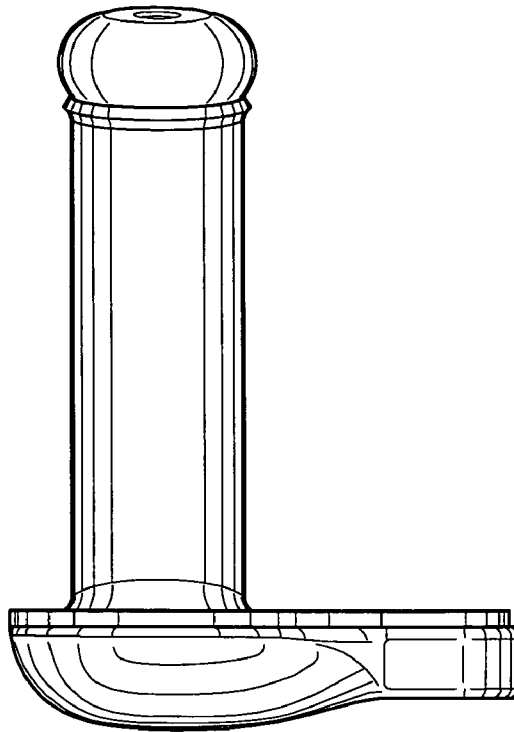


FIG. 4

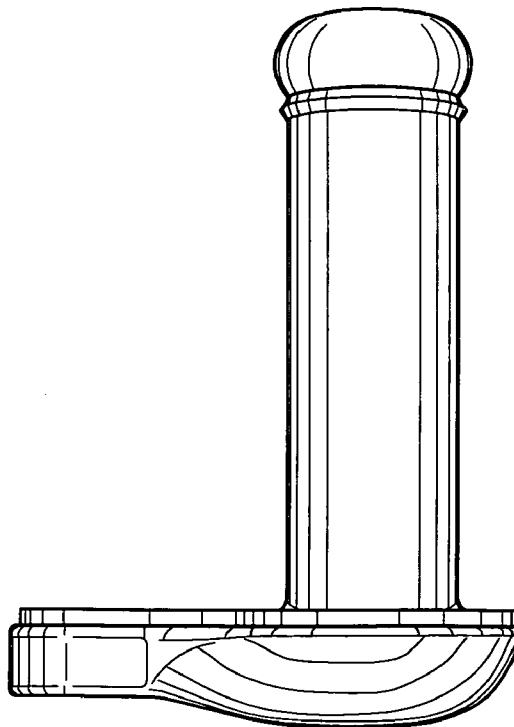


FIG. 5

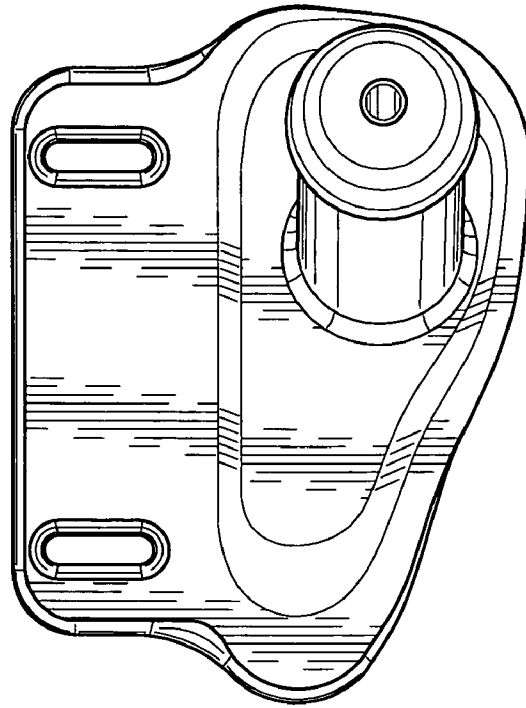


FIG. 6

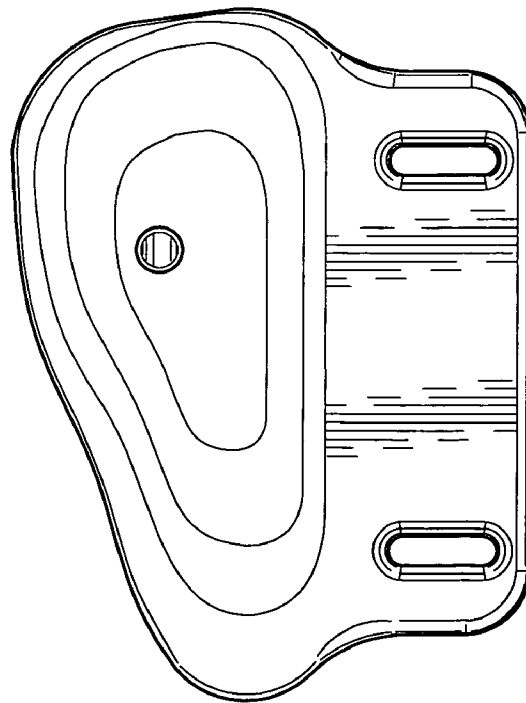


FIG. 7

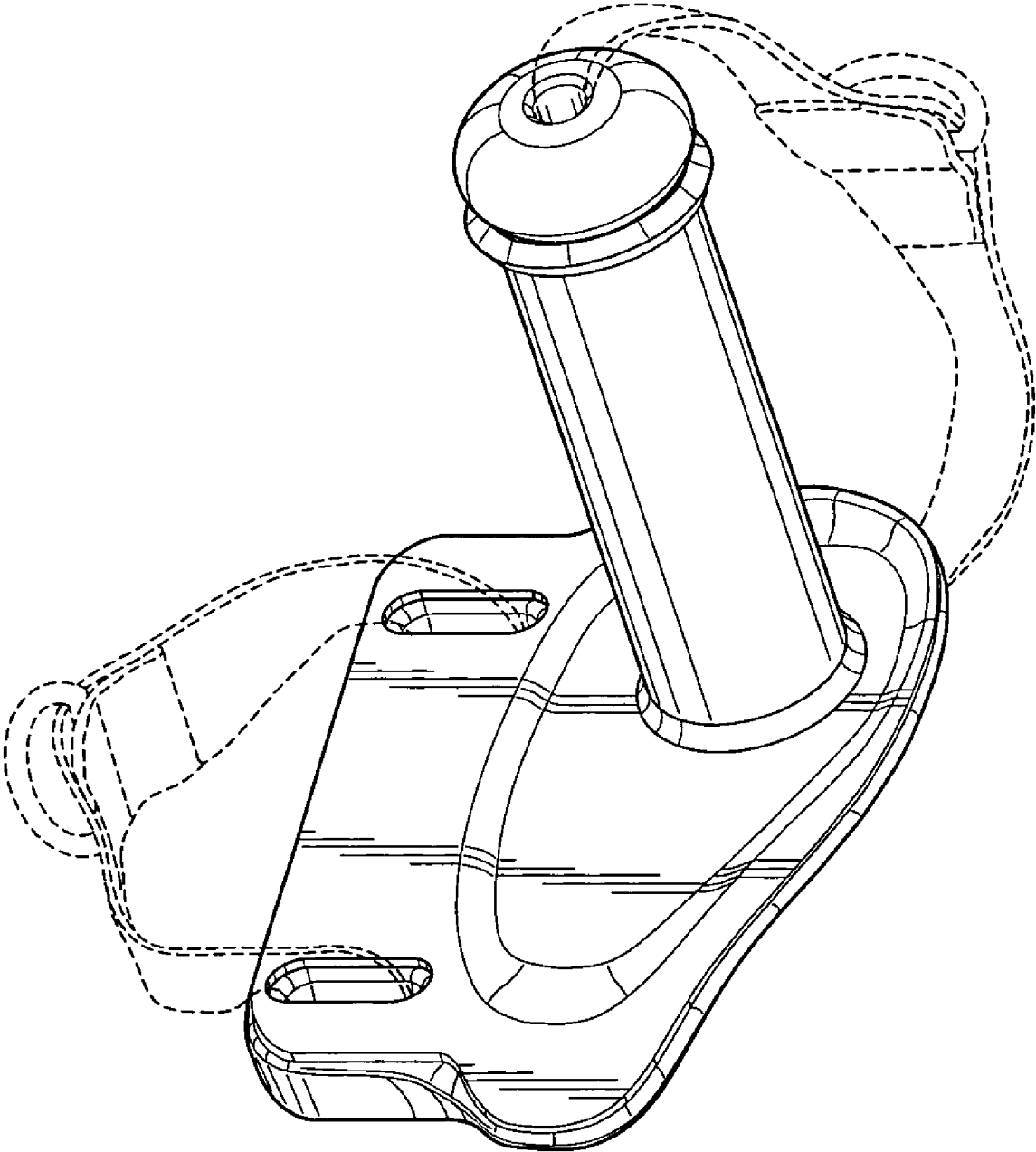


FIG. 8