



US00D355136S

# United States Patent [19]

[11] Patent Number: Des. 355,136

Highman et al.

[45] Date of Patent: \*\* Feb. 7, 1995

[54] PROCESS CONTROLLER FOR INDUSTRIAL APPLICATIONS

[75] Inventors: Eric Highman, Parma; Lonnie J. Richman, Painesville, both of Ohio

[73] Assignee: Elsag International N.V., Amsterdam Zuidoost, Netherlands

[\*\*] Term: 14 Years

[21] Appl. No.: 17,223

[22] Filed: Jan. 6, 1994

[52] U.S. Cl. .... D10/51; D10/49; D10/75; D10/50

[58] Field of Search ..... D10/49, 50, 51, 46, D10/75; D13/12, 35, 40, 41, 99, 164; D14/100, 101, 114; 73/866.3; 324/156, 158 P, 521, 522, 555; 364/331-334, 346, 390-394, 141, 146, 147, 188, 190-193; 901/3-5

[56] **References Cited**

**U.S. PATENT DOCUMENTS**

- D. 208,492 9/1967 Aldingen ..... D10/49 X
- D. 264,449 5/1982 Izaki ..... D10/75 X

- D. 264,825 6/1982 Izaki ..... D10/75
- D. 307,708 5/1990 Moriyama et al. .... D13/164
- 269,265 6/1893 Bean et al. .... 13/41
- 271,569 11/1883 Lui et al. .... 10/49
- 273,291 4/1884 Bean et al. .... 13/40
- 326,235 5/1992 Bastjanic et al. .... 10/75

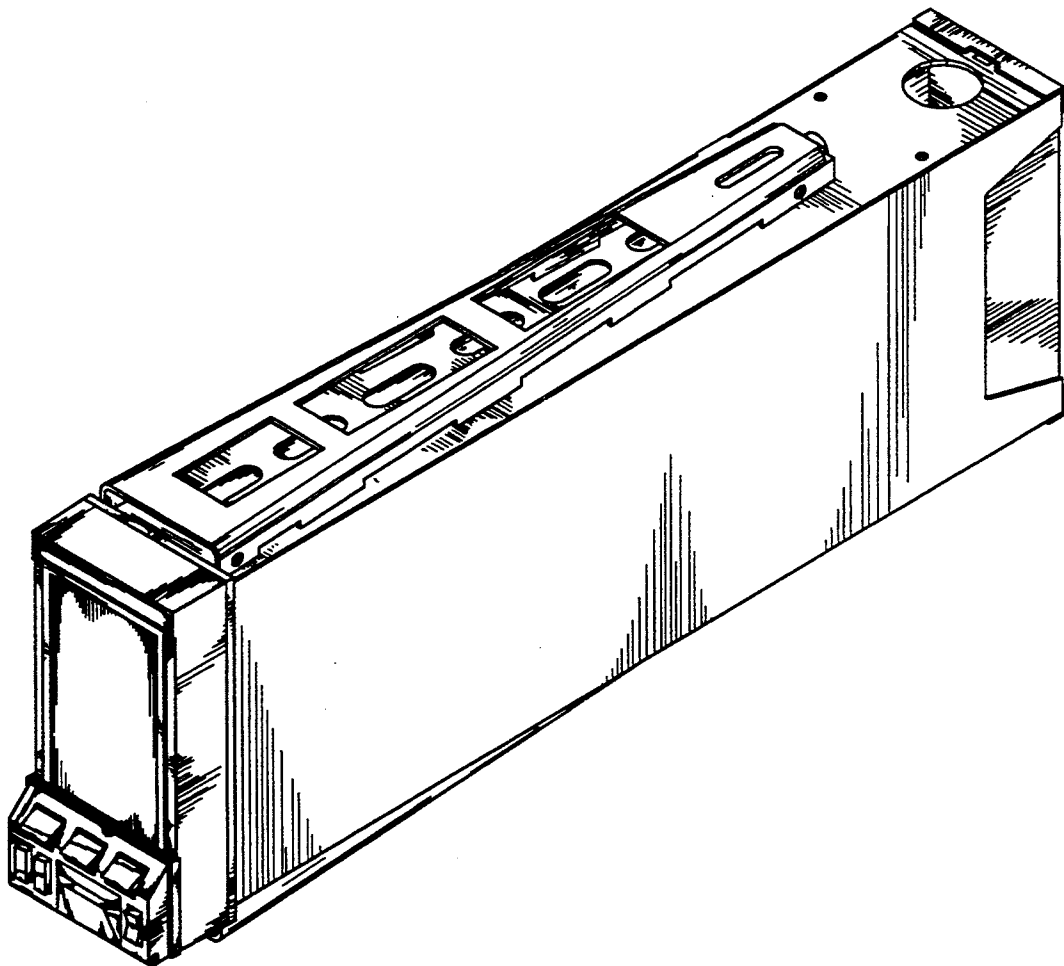
Primary Examiner—Alan P. Douglas  
Assistant Examiner—Antoine D. Davis  
Attorney, Agent, or Firm—Michael M. Rickin; Paul R. Katterle

### CLAIM

[57] The ornamental design for process controller for industrial applications, as shown.

### DESCRIPTION

FIG. 1 is a front, top and right side perspective view of a process controller for industrial applications showing our new design;  
FIG. 2 is a front elevational view thereof;  
FIG. 3 is a rear elevational view thereof;  
FIG. 4 is a top plan view thereof;  
FIG. 5 is a bottom plan view thereof;  
FIG. 6 is a right side elevational view thereof; and,  
FIG. 7 is a left side elevational view thereof.



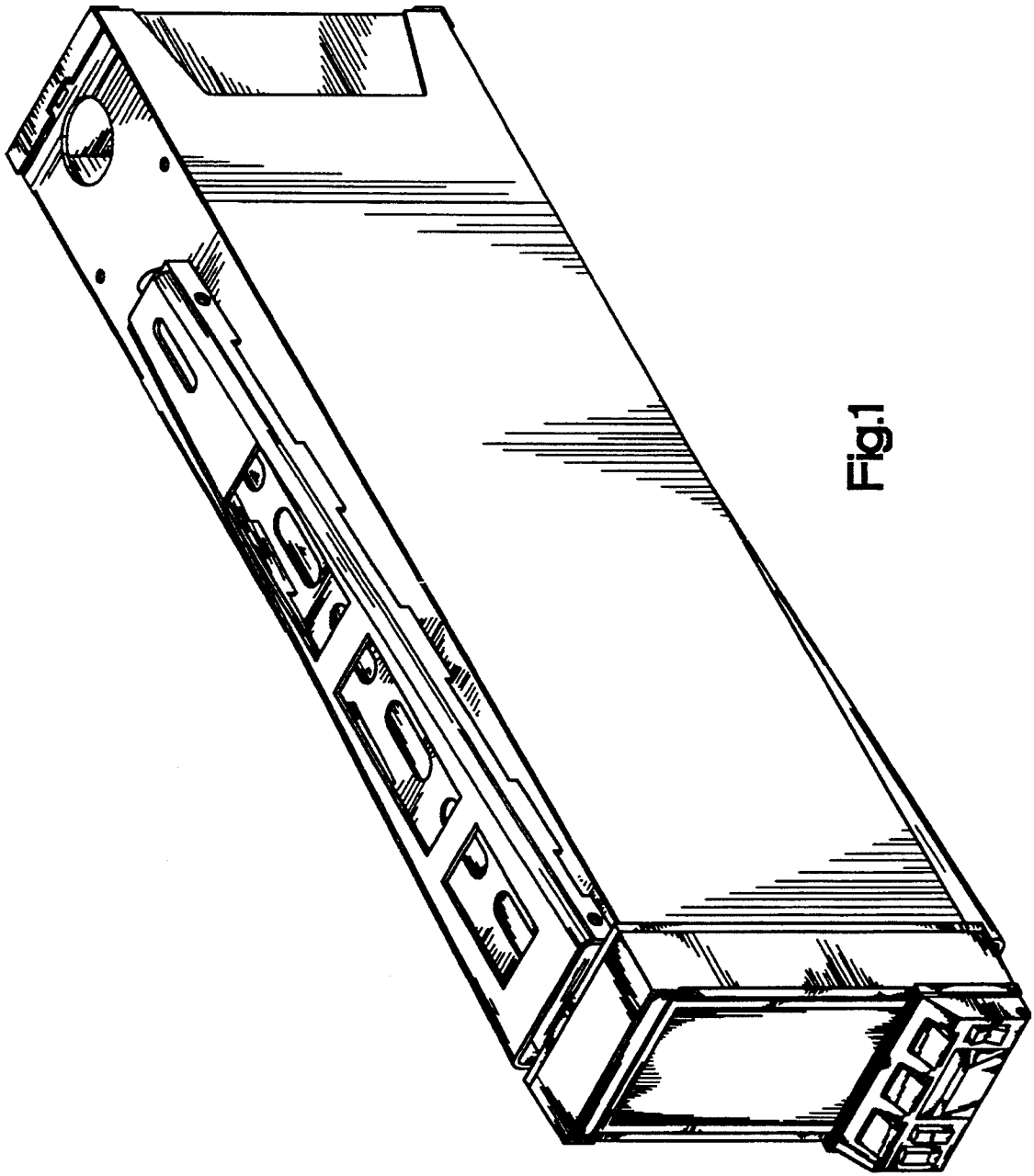


Fig.1

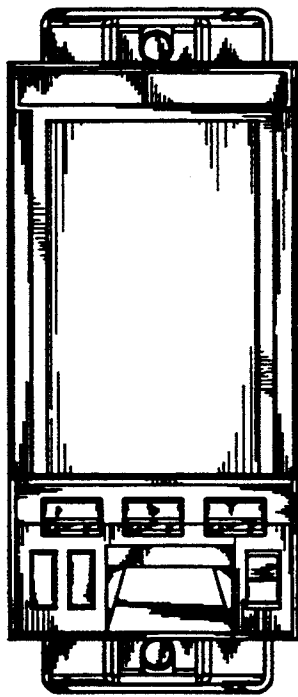


Fig.2



Fig.3

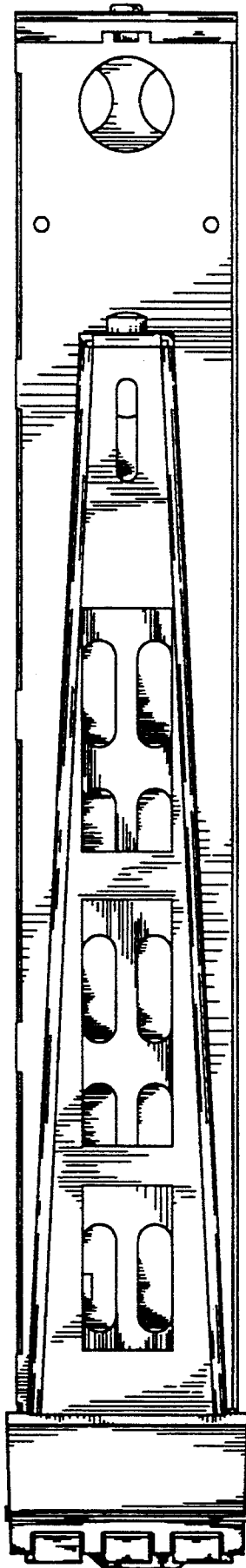


Fig.4

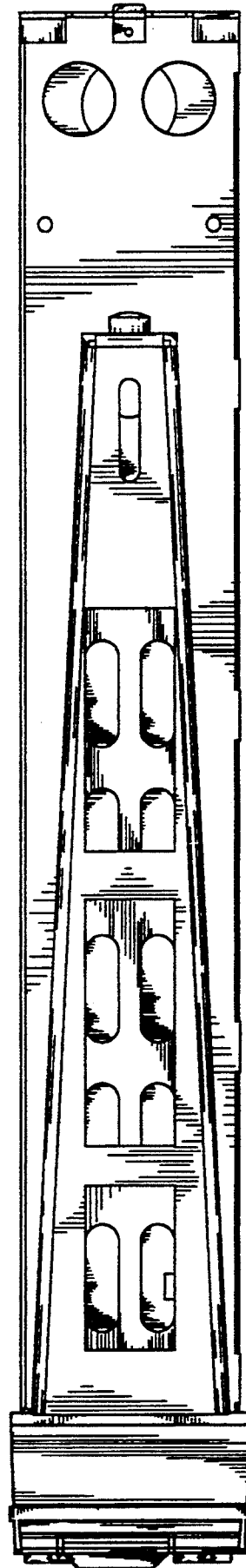


Fig.5

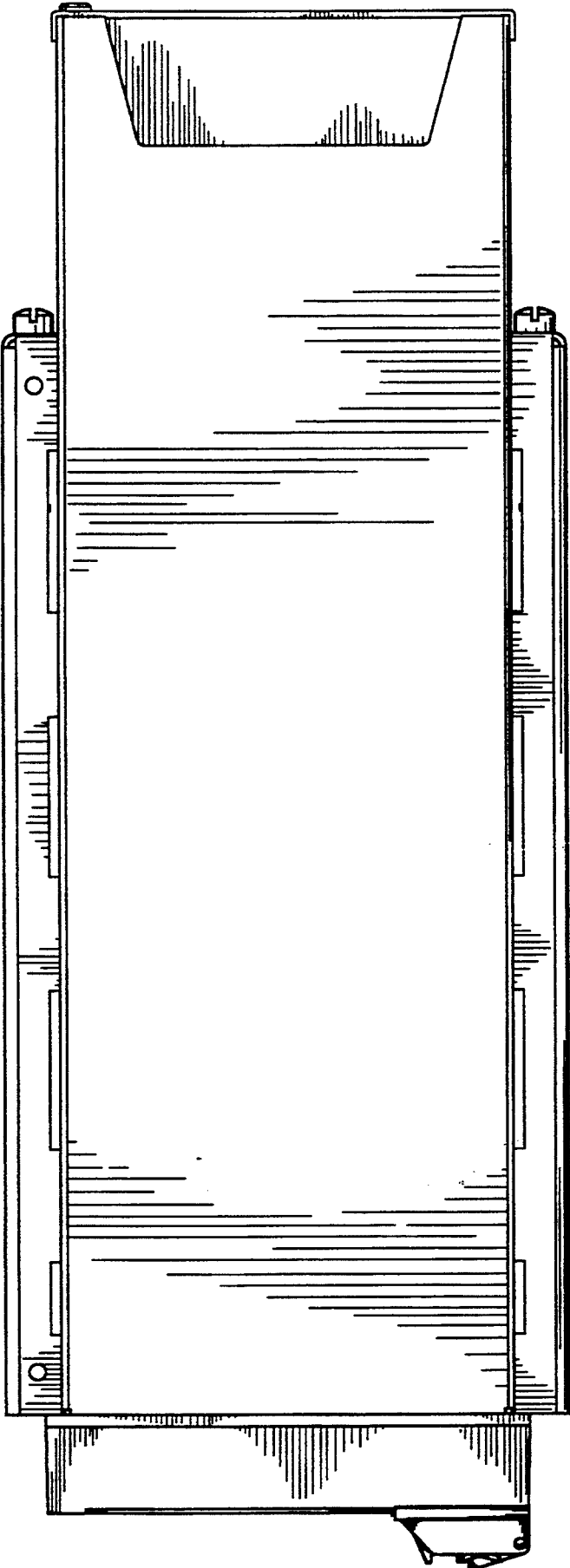


Fig.6

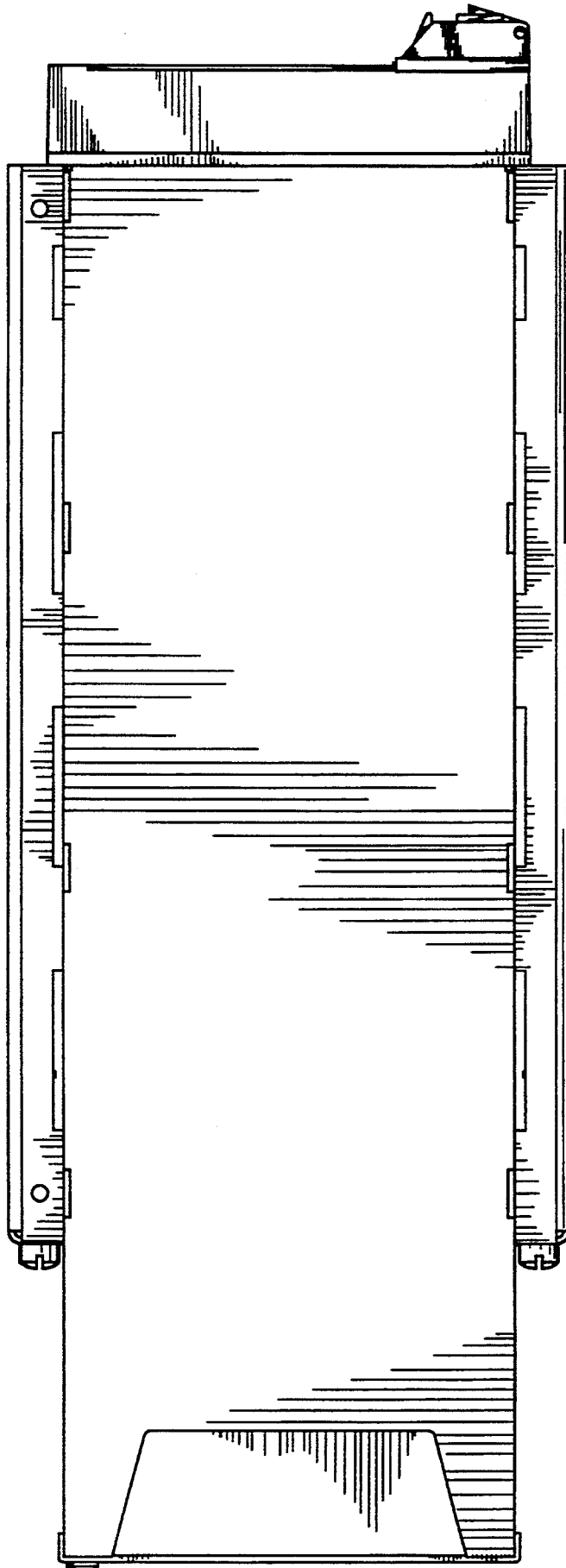


Fig.7