

(19) World Intellectual Property Organization
International Bureau



(43) International Publication Date
29 November 2007 (29.11.2007)

PCT

(10) International Publication Number
WO 2007/136705 A3

(51) International Patent Classification:
H01R 4/50 (2006.01)

(21) International Application Number:
PCT/US2007/011837

(22) International Filing Date: 17 May 2007 (17.05.2007)

(25) Filing Language: English

(26) Publication Language: English

(30) Priority Data:
11/437,480 18 May 2006 (18.05.2006) US

(71) Applicant (for all designated States except US): **TYCO ELECTRONICS CORPORATION** [US/US]; 2901 Fulling Mill Road, Middletown, PA 17057 (US).

(72) Inventors; and

(75) Inventors/Applicants (for US only): **COPPER, Charles, Dudley** [US/US]; 848 Providence Circle, Hummelstown, PA 17036 (US). **CORMAN, Ned, Eugene** [US/US]; 527 Clemont Drive, Harrisburg, PA 17112 (US).

(74) Agents: **WOLSTONCROFT, Helen, Odar** et al.; Tyco Technology Resources, 4550 New Linden Hill Road, Suite 140, Wilmington, DE 19808 (US).

(81) Designated States (unless otherwise indicated, for every kind of national protection available): AE, AG, AL, AM, AT, AU, AZ, BA, BB, BG, BH, BR, BW, BY, BZ, CA, CH, CN, CO, CR, CU, CZ, DE, DK, DM, DZ, EC, EE, EG, ES, FI, GB, GD, GE, GH, GM, GT, HN, HR, HU, ID, IL, IN, IS, JP, KE, KG, KM, KN, KP, KR, KZ, LA, LC, LK, LR, LS, LT, LU, LY, MA, MD, ME, MG, MK, MN, MW, MX, MY, MZ, NA, NG, NI, NO, NZ, OM, PG, PH, PL, PT, RO, RS, RU, SC, SD, SE, SG, SK, SL, SM, SV, SY, TJ, TM, TN, TR, TT, TZ, UA, UG, US, UZ, VC, VN, ZA, ZM, ZW.

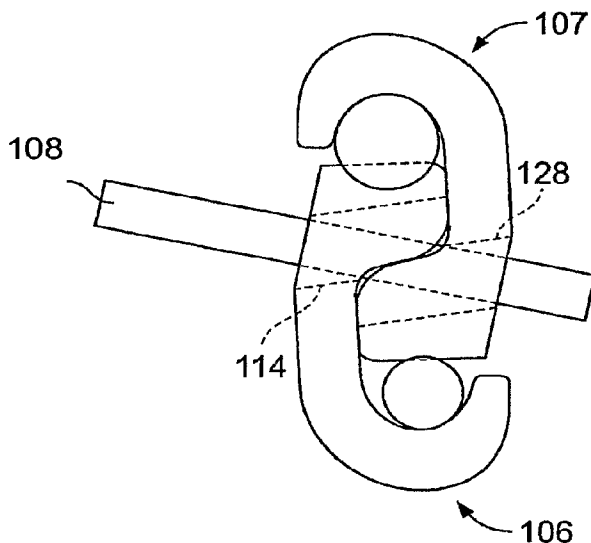
(84) Designated States (unless otherwise indicated, for every kind of regional protection available): ARIPO (BW, GH, GM, KE, LS, MW, MZ, NA, SD, SL, SZ, TZ, UG, ZM, ZW), Eurasian (AM, AZ, BY, KG, KZ, MD, RU, TJ, TM), European (AT, BE, BG, CH, CY, CZ, DE, DK, EE, ES, FI, FR, GB, GR, HU, IE, IS, IT, LT, LU, LV, MC, MT, NL, PL, PT, RO, SE, SI, SK, TR), OAPI (BF, BJ, CF, CG, CI, CM, GA, GN, GQ, GW, ML, MR, NE, SN, TD, TG).

Published:

- with international search report
- before the expiration of the time limit for amending the claims and to be republished in the event of receipt of amendments

(88) Date of publication of the international search report:
6 March 2008

(54) Title: COMBINATION WEDGE TAP CONNECTOR



(57) Abstract: An electrical connector assembly for a utility power transmission system includes a first conductive member having a first hook portion and a first base wedge portion with the first hook portion extending from the first wedge portion and is adapted to engage a main conductor. A second conductive member includes a hook portion and a wedge portion with the hook portion extending from the wedge portion and adapted to engage a tap conductor. The wedge portion of the first conductive member and the wedge portion of the second conductive member are adapted to nest with one another and be secured to one another by hand without specialized tooling.

WO 2007/136705 A3

INTERNATIONAL SEARCH REPORT

International application No

PCT/US2007/011837

A. CLASSIFICATION OF SUBJECT MATTER

INV. H01R4/50

According to International Patent Classification (IPC) or to both national classification and IPC

B. FIELDS SEARCHED

Minimum documentation searched (classification system followed by classification symbols)

H01R

Documentation searched other than minimum documentation to the extent that such documents are included in the fields searched

Electronic data base consulted during the international search (name of data base and, where practical, search terms used)

EPO-Internal, WPI Data

C. DOCUMENTS CONSIDERED TO BE RELEVANT

Category*	Citation of document, with indication, where appropriate, of the relevant passages	Relevant to claim No.
P,X	US 7 182 653 B1 (HOXHA VLADIMIR [CA]) 27 February 2007 (2007-02-27) the whole document	1-21
P,X	US 2007/004289 A1 (HOXHA VLADIMIR [CA] ET AL) 4 January 2007 (2007-01-04) the whole document	1-21
X	DE 537 210 C (OTTO GERLINGER) 31 October 1931 (1931-10-31) the whole document	1-5,8
Y		6,7,9-21
X	US 3 088 993 A (MATTHYSSE IRVING F ET AL) 7 May 1963 (1963-05-07)	1-5,8
Y	column 1, line 66 - column 2, line 33 figures 1-4	6,7,9-21
	-/--	



Further documents are listed in the continuation of Box C.



See patent family annex.

* Special categories of cited documents :

- *A* document defining the general state of the art which is not considered to be of particular relevance
- *E* earlier document but published on or after the international filing date
- *L* document which may throw doubts on priority claim(s) or which is cited to establish the publication date of another citation or other special reason (as specified)
- *O* document referring to an oral disclosure, use, exhibition or other means
- *P* document published prior to the international filing date but later than the priority date claimed

- *T* later document published after the international filing date or priority date and not in conflict with the application but cited to understand the principle or theory underlying the invention
- *X* document of particular relevance; the claimed invention cannot be considered novel or cannot be considered to involve an inventive step when the document is taken alone
- *Y* document of particular relevance; the claimed invention cannot be considered to involve an inventive step when the document is combined with one or more other such documents, such combination being obvious to a person skilled in the art.
- * & * document member of the same patent family

Date of the actual completion of the international search

18 December 2007

Date of mailing of the international search report

11/01/2008

Name and mailing address of the ISA/

European Patent Office, P.B. 5818 Patentlaan 2
NL - 2280 HV Rijswijk
Tel. (+31-70) 340-2040, Tx. 31 651 epo nl,
Fax: (+31-70) 340-3016

Authorized officer

Chelbosu, Liviu

INTERNATIONAL SEARCH REPORT

International application No
PCT/US2007/011837

C(Continuation). DOCUMENTS CONSIDERED TO BE RELEVANT

Category*	Citation of document, with indication, where appropriate, of the relevant passages	Relevant to claim No.
X	US 6 004 165 A (DINH CONG THANH [US] ET AL) 21 December 1999 (1999-12-21) the whole document	1-5, 8, 13, 19
Y		6, 7, 9-12, 14-18, 20, 21
X	----- EP 0 342 122 A (SICAME SA [FR]) 15 November 1989 (1989-11-15)	9, 14, 15, 17, 20, 21
Y	the whole document	6, 7, 10-13, 16, 18, 19
A	----- US 2002/142674 A1 (CHADBOURNE RICHARD [US] ET AL) 3 October 2002 (2002-10-03) the whole document -----	1-21

INTERNATIONAL SEARCH REPORT

Information on patent family members

International application No PCT/US2007/011837

Patent document cited in search report	Publication date	Patent family member(s)	Publication date
US 7182653	B1	27-02-2007	NONE
US 2007004289	A1	04-01-2007	NONE
DE 537210	C	31-10-1931	NONE
US 3088993	A	07-05-1963	NONE
US 6004165	A	21-12-1999	AU 731932 B2 05-04-2001 AU 5714499 A 18-05-2000 BR 9905154 A 05-09-2000 CA 2287637 A1 06-05-2000 EP 0999609 A2 10-05-2000 JP 3068100 B2 24-07-2000 JP 2000150011 A 30-05-2000 KR 20000035239 A 26-06-2000 ZA 9906904 A 31-05-2000
EP 0342122	A	15-11-1989	ES 2062059 T3 16-12-1994 FR 2631491 A1 17-11-1989 US 4985003 A 15-01-1991
US 2002142674	A1	03-10-2002	NONE