



US00D713948S

(12) **United States Design Patent**
Westphal

(10) **Patent No.:** **US D713,948 S**
(45) **Date of Patent:** **** Sep. 23, 2014**

- (54) **DISPENSER**
- (71) Applicant: **Nathan R. Westphal**, Union Grove, WI (US)
- (72) Inventor: **Nathan R. Westphal**, Union Grove, WI (US)
- (73) Assignee: **S.C. Johnson & Son, Inc.**, Racine, WI (US)
- (**) Term: **14 Years**

4,040,568 A	8/1977	Mason, Jr. et al.
4,067,692 A	1/1978	Farris
1,514,712 A	6/1978	Cashmore
4,154,398 A	5/1979	Gualandi
4,219,145 A	8/1980	Jaeschke et al.
4,258,004 A	3/1981	Valenzona et al.
4,277,014 A	7/1981	Webinger
4,301,949 A	11/1981	Palson et al.
4,306,679 A	12/1981	Dusek et al.
4,339,079 A	7/1982	Sato et al.
4,361,279 A	11/1982	Beacham
4,502,630 A	3/1985	Haworth et al.

(Continued)

- (21) Appl. No.: **29/461,370**
- (22) Filed: **Jul. 22, 2013**

FOREIGN PATENT DOCUMENTS

DE	20207512 U1	8/2002
EM	001719642-0002	6/2010

(Continued)

Primary Examiner — Sandra Snapp

Related U.S. Application Data

- (63) Continuation-in-part of application No. 29/438,208, filed on Nov. 27, 2012.
- (51) **LOC (10) Cl.** **28-99**
- (52) **U.S. Cl.**
CPC *A61L 9/12* (2013.01)
USPC **D23/366**
- (58) **Field of Classification Search**
USPC D23/355-369; D28/5, 6; 261/DIG. 17, 261/DIG. 42, DIG. 65, DIG. 88, DIG. 89; 392/386, 390, 394, 395; 239/34, 44, 239/53, 55, 56, 326
See application file for complete search history.

(57) **CLAIM**

The ornamental design for a dispenser, as shown and described.

DESCRIPTION

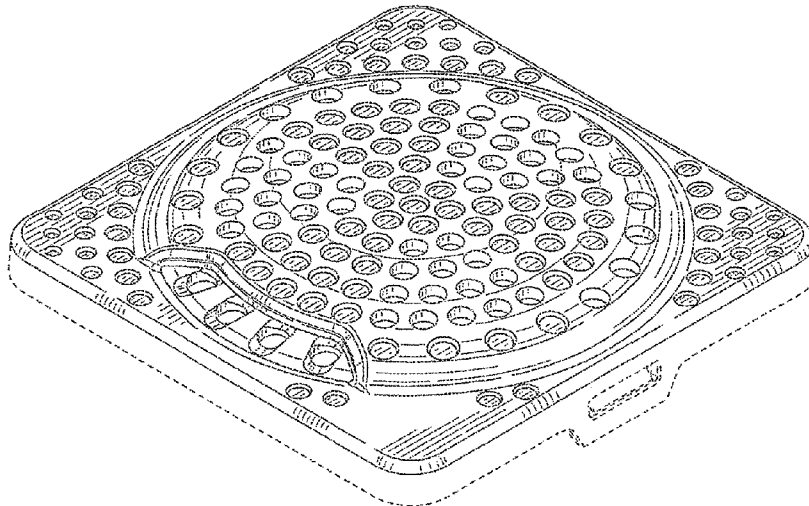
FIG. 1 is an isometric view of a top, front, and right side of an ornamental design for a dispenser;
 FIG. 2 is a front elevational view of the dispenser of FIG. 1;
 FIG. 3 is a rear elevational view of the dispenser of FIG. 1;
 FIG. 4 is a right side elevational view of the dispenser of FIG. 1;
 FIG. 5 is a left side elevational view of the dispenser of FIG. 1;
 FIG. 6 is a top plan view of the dispenser of FIG. 1; and,
 FIG. 7 is a bottom plan view of the dispenser of FIG. 1.
 The dash-dash-dash-dash broken lines in FIGS. 1-7 are for the purpose of illustrating environmental structure and form no part of the claimed design.

(56) **References Cited**

U.S. PATENT DOCUMENTS

2,247,600 A	7/1941	Brennan et al.
2,642,310 A	6/1953	Meek et al.
2,657,090 A	10/1953	Meek
2,664,810 A	1/1954	Halbriter
2,765,194 A	10/1956	Will
3,964,684 A *	6/1976	Schimanski 239/56

1 Claim, 3 Drawing Sheets



(56)

References Cited

U.S. PATENT DOCUMENTS

4,523,870	A	6/1985	Spector	
4,664,312	A	5/1987	Bryson	
4,808,347	A *	2/1989	Dawn	261/30
4,878,615	A	11/1989	Losi	
4,940,272	A	7/1990	Weick	
4,968,456	A	11/1990	Muderlak et al.	
5,004,138	A *	4/1991	Gabas	224/312
5,148,984	A	9/1992	Bryson, Jr. et al.	
D332,138	S *	12/1992	Lonker et al.	D23/366
5,361,522	A	11/1994	Green	
5,370,829	A	12/1994	Kunze	
5,478,505	A	12/1995	McElfresh et al.	
5,527,493	A	6/1996	McElfresh et al.	
D375,350	S	11/1996	Patel et al.	
5,695,692	A	12/1997	Kennedy	
5,735,460	A *	4/1998	Eisenbraun	239/34
5,868,315	A	2/1999	Chen	
5,932,147	A	8/1999	Chen	
6,029,901	A	2/2000	Toy, II	
6,080,367	A	6/2000	Lin	
6,244,518	B1	6/2001	Pogue	
6,254,248	B1	7/2001	McAuley et al.	
6,386,971	B1 *	5/2002	Johnson	454/328
D459,459	S *	6/2002	Yamada et al.	D23/366
6,502,762	B2	1/2003	Tuttobene, Jr.	
6,607,434	B1	8/2003	Park	
6,631,852	B1	10/2003	O'Leary	
D484,583	S *	12/2003	Hunt et al.	D23/360
6,655,604	B2	12/2003	Tuttobene, Jr.	
6,746,521	B2	6/2004	Canfield	
6,767,521	B1	7/2004	Vogt et al.	
D508,285	S *	8/2005	Velicescu	D23/366
D509,578	S *	9/2005	Yao	D23/364
7,036,800	B2	5/2006	Ellis	
D522,640	S *	6/2006	Miro	D23/366
7,070,172	B2	7/2006	Fabrega et al.	
7,188,780	B2 *	3/2007	Martens, III	239/35
7,213,770	B2 *	5/2007	Martens et al.	239/57
D544,953	S *	6/2007	Kee	D23/368
D550,345	S	9/2007	Weggelaar	
D555,778	S	11/2007	Fellows et al.	
D565,164	S	3/2008	Duston et al.	
D570,980	S *	6/2008	Isono et al.	D23/366
D582,535	S	12/2008	Nickel et al.	
D583,037	S	12/2008	Kenny	
D585,129	S	1/2009	Huang	
D585,537	S	1/2009	Weggelaar	
D588,688	S	3/2009	Lablaine	
D591,415	S	4/2009	Wu	
D596,281	S *	7/2009	Schwartz et al.	D23/366
D609,322	S *	2/2010	Schwartz et al.	D23/366
D614,278	S *	4/2010	Schwartz et al.	D23/366
D630,719	S	1/2011	Wu	
D631,146	S *	1/2011	Shu et al.	D23/366
D631,954	S *	2/2011	Bertassi et al.	D23/366
D633,610	S	3/2011	Wu	
D636,482	S	4/2011	LeMay et al.	
D638,531	S *	5/2011	Irwin et al.	D23/366
D642,254	S	7/2011	Mazzeo et al.	
D642,667	S *	8/2011	Irwin et al.	D23/366
D642,668	S	8/2011	Lablaine	
D646,769	S *	10/2011	Angel et al.	D23/366
D647,186	S	10/2011	Chan et al.	
D650,891	S *	12/2011	Freeborn et al.	D23/366
8,096,486	B2	1/2012	Wang et al.	
D658,753	S	5/2012	Zhang et al.	
D662,582	S *	6/2012	Olchovy et al.	D23/366
D666,284	S *	8/2012	Robinson et al.	D23/368
D670,370	S *	11/2012	Olchovy et al.	D23/366
D675,307	S *	1/2013	Freeborn et al.	D23/366
D683,008	S *	5/2013	Olchovy et al.	D23/366
D692,549	S *	10/2013	Wirz	D23/366
2003/0038133	A1	2/2003	Liu	
2004/0175312	A1	9/2004	Linden-Douw	
2005/0089502	A1	4/2005	Schansberg et al.	
2007/0051826	A1	3/2007	Schofield	
2008/0023568	A1	1/2008	Weggelaar et al.	
2008/0095522	A1	4/2008	Deflorian et al.	
2008/0257978	A1	10/2008	Marth et al.	
2009/0010813	A1	1/2009	Wang et al.	
2009/0302128	A1	12/2009	Zobebe	
2010/0187327	A1	7/2010	Irvin	
2011/0114663	A1	5/2011	Brown et al.	

FOREIGN PATENT DOCUMENTS

EM	001215073-0001	9/2011
EP	1698355 B1	11/2010
WO	0170284 A1	9/2001
WO	2003074096 A1	9/2003
WO	2006061803 A1	6/2006
WO	2011140917 A1	11/2011

* cited by examiner

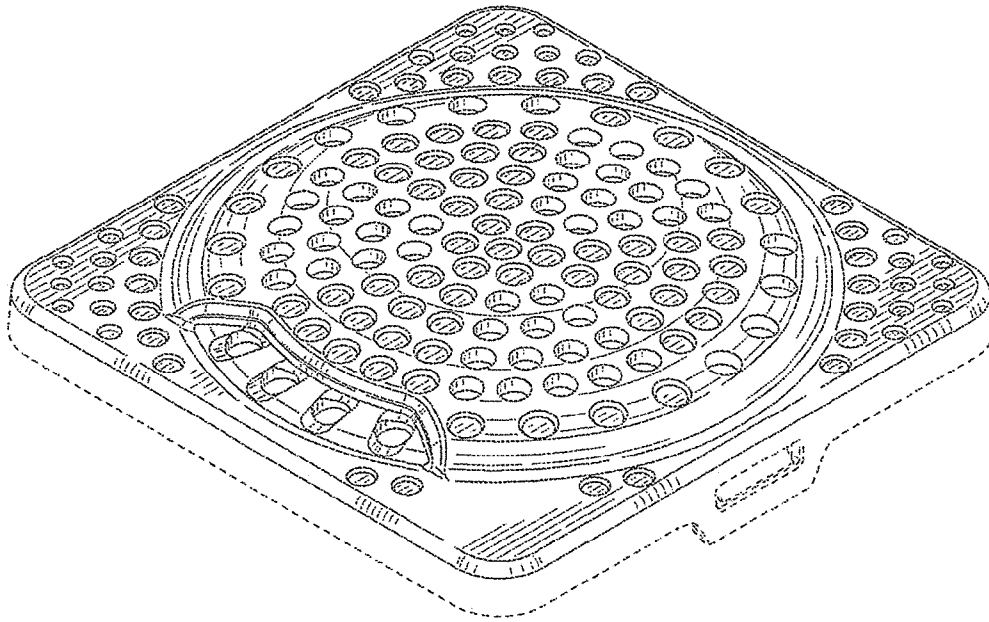


FIG. 1

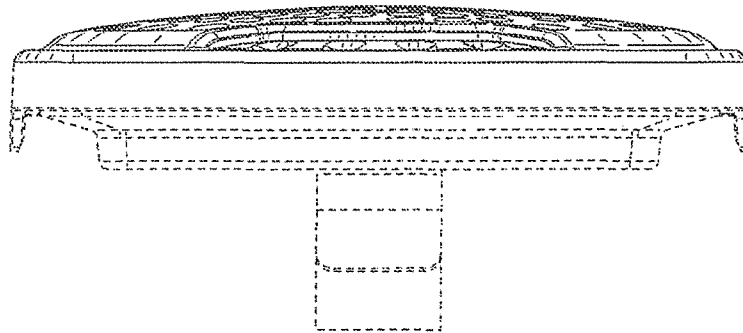


FIG. 2

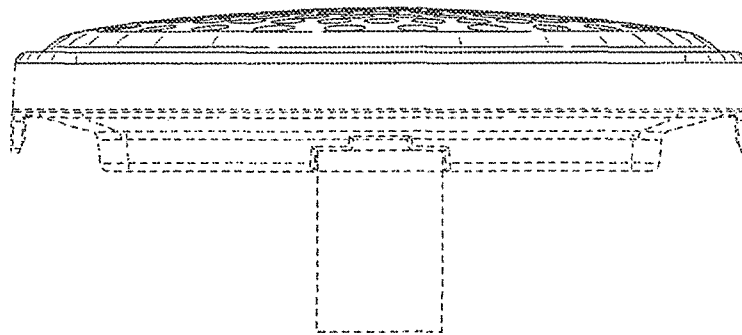


FIG. 3

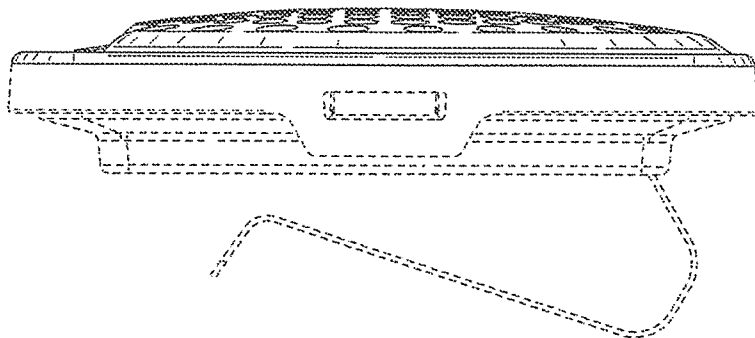


FIG. 4

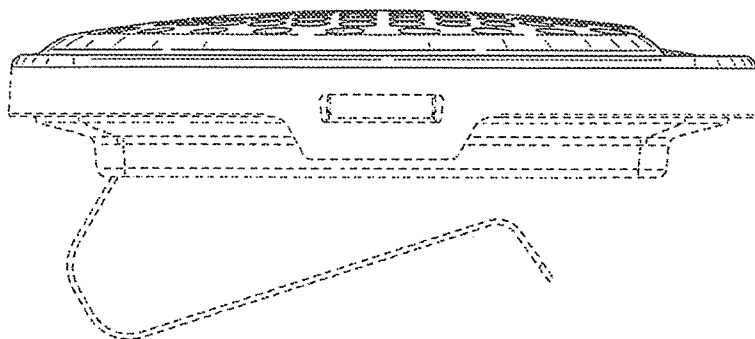


FIG. 5

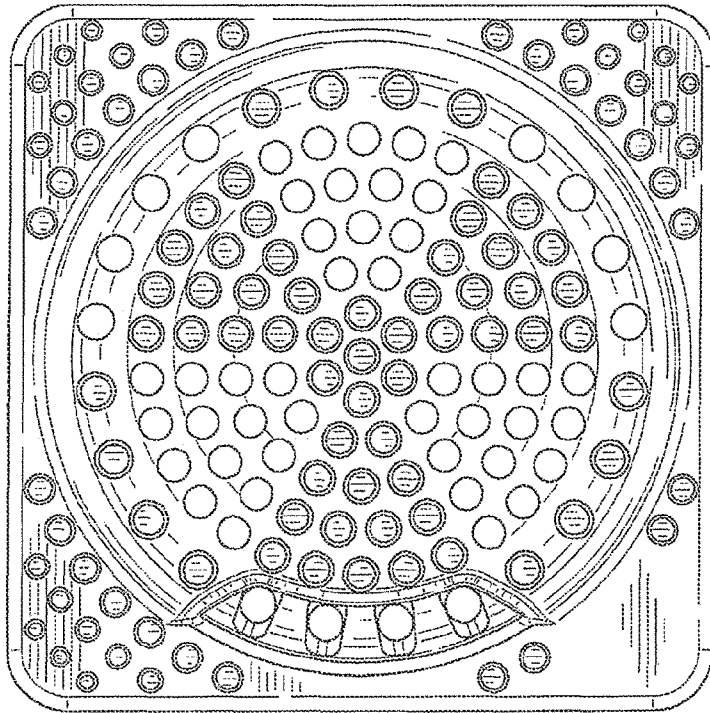


FIG. 6

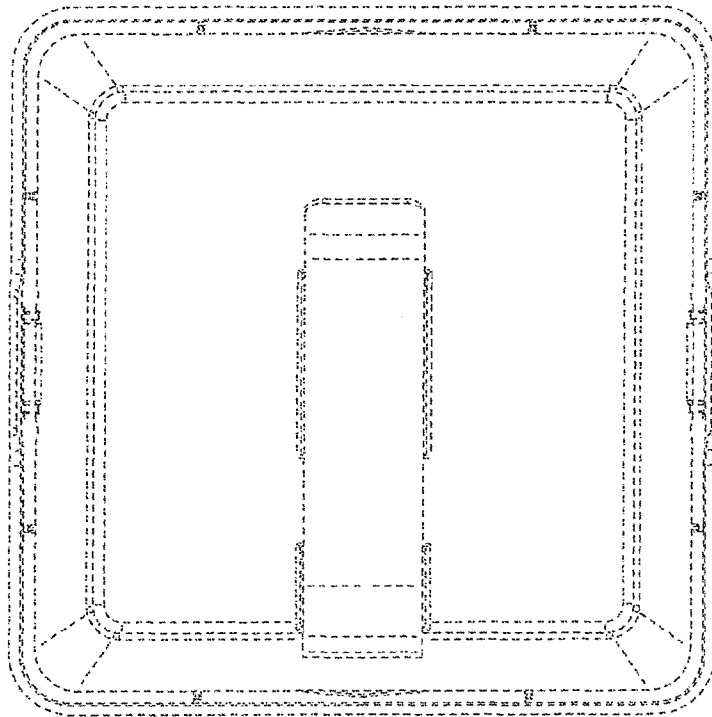


FIG. 7