



US00D490484S

(12) **United States Design Patent**
Auberger

(10) **Patent No.:** **US D490,484 S**

(45) **Date of Patent:** **** May 25, 2004**

(54) **HALF CUBE**

(75) **Inventor:** **Benoît M. Auberger**, La Forêt sur Sèvre (FR)

(73) **Assignee:** **Wesco Company S.A.**, Cerizay (FR)

(**) **Term:** **14 Years**

(21) **Appl. No.:** **29/180,134**

(22) **Filed:** **Apr. 18, 2003**

(30) **Foreign Application Priority Data**

Oct. 22, 2002 (FR) 02 6383

(51) **LOC (7) Cl.** **21-01**

(52) **U.S. Cl.** **D21/500**; D21/499

(58) **Field of Search** D21/484, 486,
D21/489-491, 499-505; 446/85, 108-116,
117, 120-122, 124, 125, 128

(56) **References Cited**

U.S. PATENT DOCUMENTS

1,895,611 A * 1/1933 Poak 446/122
2,115,012 A * 4/1938 Douglas D21/499
3,554,384 A * 1/1971 DeNatale D21/499

D283,635 S * 4/1986 Kato et al. D21/499
4,698,023 A * 10/1987 Marino 446/125
5,000,713 A * 3/1991 Cheng 446/120
5,069,647 A * 12/1991 Zuviria 446/120
D422,036 S * 3/2000 Laserna Fernandez D21/499
D464,682 S * 10/2002 Lin D21/499
D465,247 S * 11/2002 Sorensen D21/500

* cited by examiner

Primary Examiner—Raphael Barkai

(74) *Attorney, Agent, or Firm*—Horst M. Kasper

(57) **CLAIM**

The ornamental design for a half cube, as shown and described.

DESCRIPTION

FIG. 1 is a bottom view of the half cube showing my new design

FIG. 2 is a left side view thereof

FIG. 3 is a front view thereof

FIG. 4 is a perspective view thereof

FIG. 5 is a top plan view thereof; and,

FIG. 6 is a back view thereof.

1 Claim, 1 Drawing Sheet

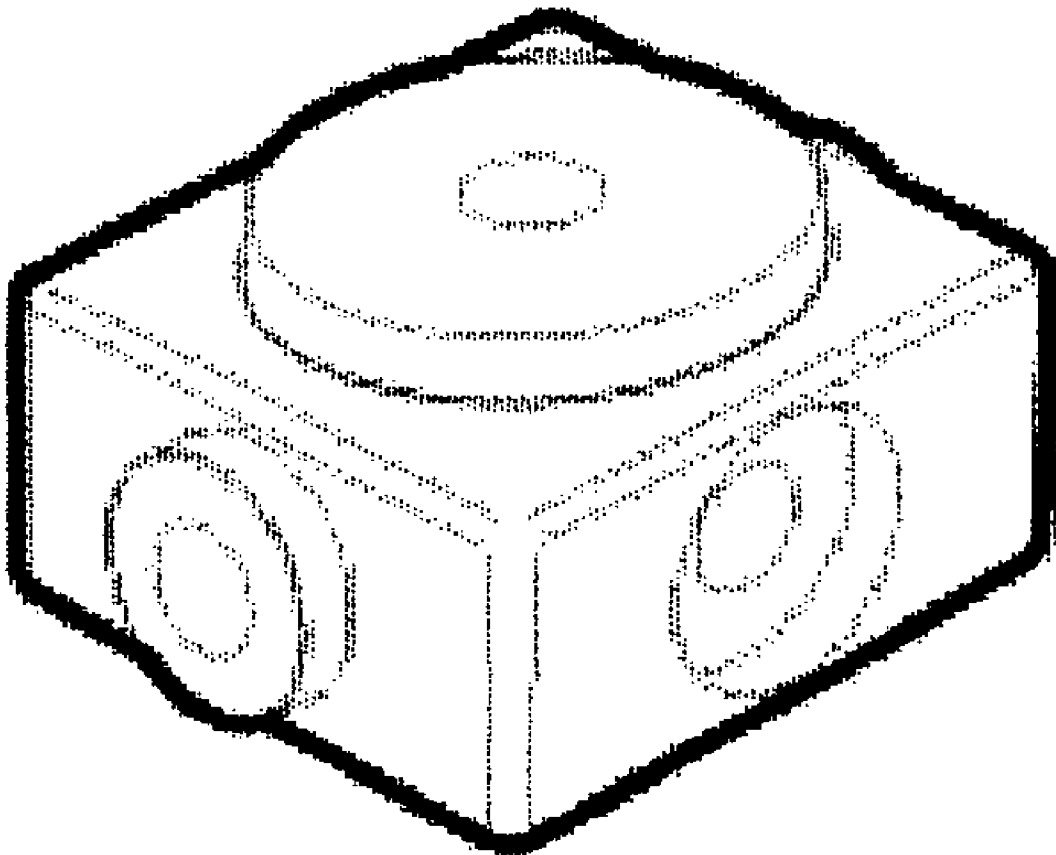




Fig 1

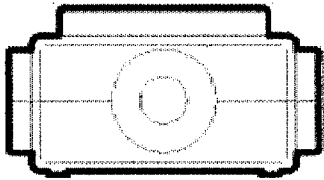


Fig 2

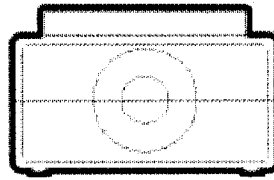


Fig 3

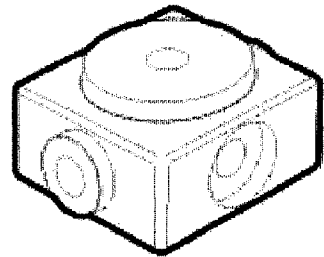


Fig 4

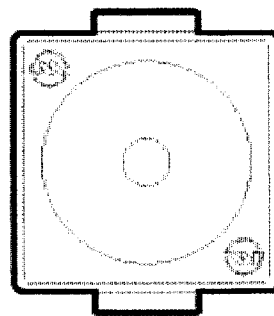


Fig 5

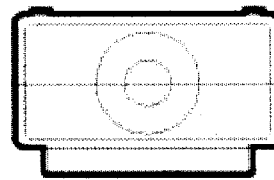


Fig 6