



US00D605574S

(12) **United States Design Patent**
Abdallah

(10) **Patent No.:** **US D605,574 S**

(45) **Date of Patent:** **** Dec. 8, 2009**

(54) **WHEEL RIM**

(76) Inventor: **Bassam Abdallah**, 27, rue Robert de
Flers, 75015 Paris (FR)

(**) Term: **14 Years**

(21) Appl. No.: **29/330,425**

(22) Filed: **Jan. 7, 2009**

(51) **LOC (9) Cl.** **12-16**

(52) **U.S. Cl.** **D12/211**

(58) **Field of Classification Search** D12/204-213;
301/37.101, 64.101, 65, 64.201

See application file for complete search history.

(56) **References Cited**

U.S. PATENT DOCUMENTS

D417,646 S *	12/1999	Baumgartner	D12/211
D429,681 S *	8/2000	Cullen	D12/211
D445,083 S *	7/2001	Chung	D12/211
D478,307 S *	8/2003	Maifirini	D12/211
D495,652 S *	9/2004	James	D12/211
D524,217 S *	7/2006	Aoki	D12/211

D536,654 S *	2/2007	Moruzzi	D12/211
D539,724 S *	4/2007	Muzzarelli et al.	D12/211
D548,160 S *	8/2007	Viandante	D12/209
D552,525 S *	10/2007	Celik	D12/211
D580,336 S *	11/2008	Chung	D12/211
D580,841 S *	11/2008	Gallert	D12/211
D589,428 S *	3/2009	Scheu	D12/211

* cited by examiner

Primary Examiner—Stacia Cadmus

(74) *Attorney, Agent, or Firm*—Gerald E. Hespos; Anthony J. Casella

(57) **CLAIM**

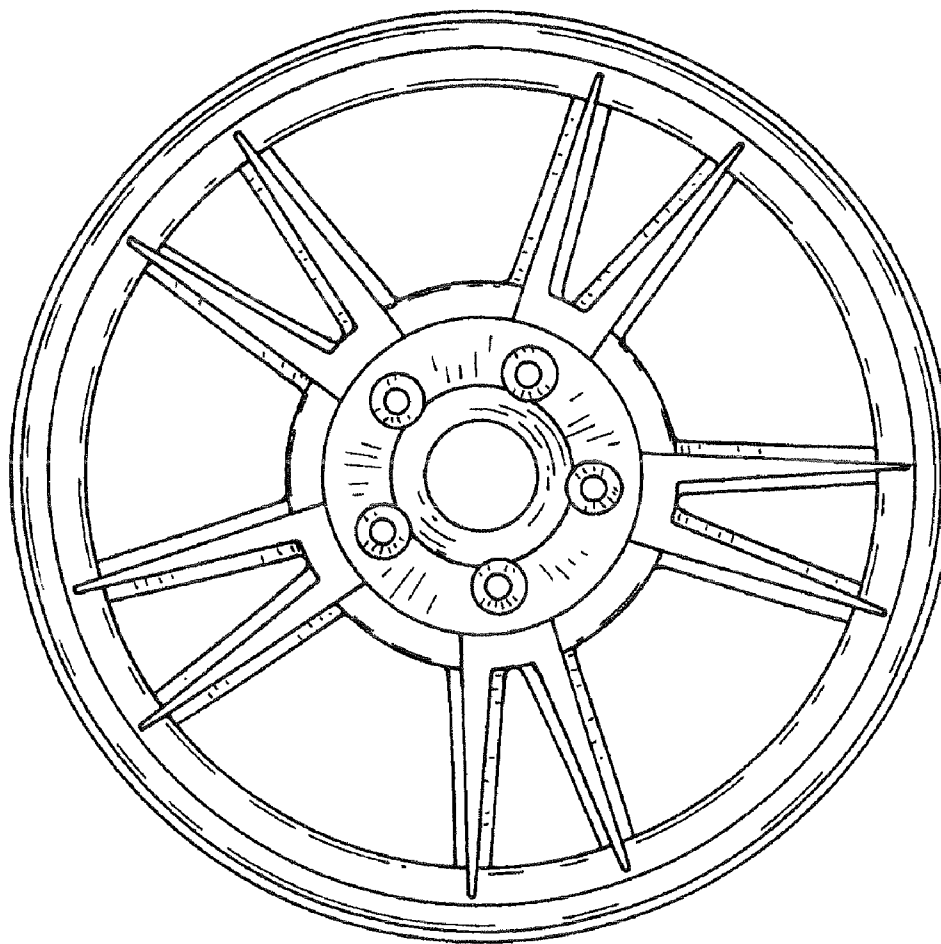
The ornamental design for a wheel rim, as shown and described.

DESCRIPTION

FIG. 1 is a perspective view of a wheel rim in accordance with my design; and,

FIG. 2 is a front elevational view of the wheel rim shown in FIG. 1.

1 Claim, 2 Drawing Sheets



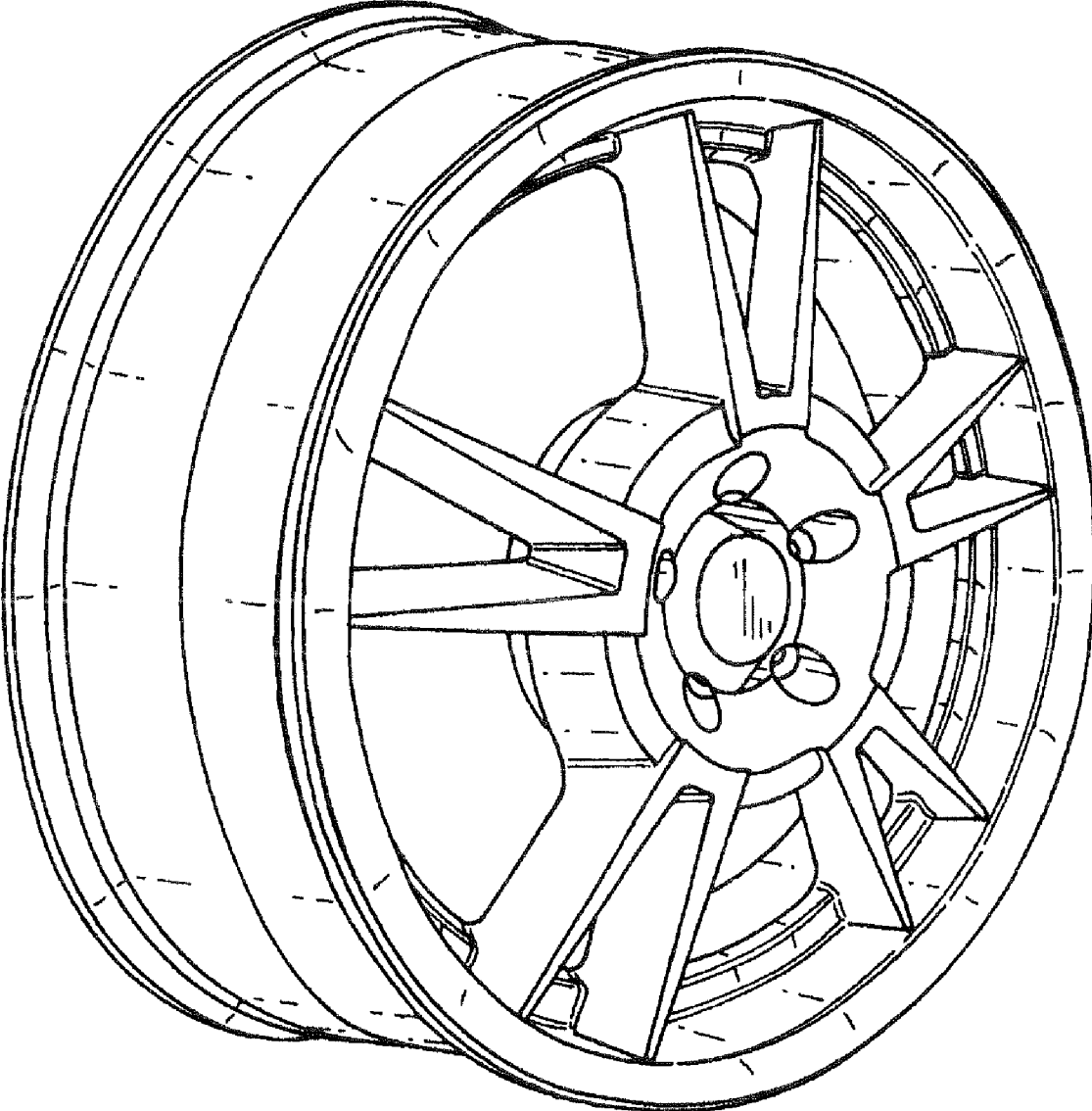


FIG. 1

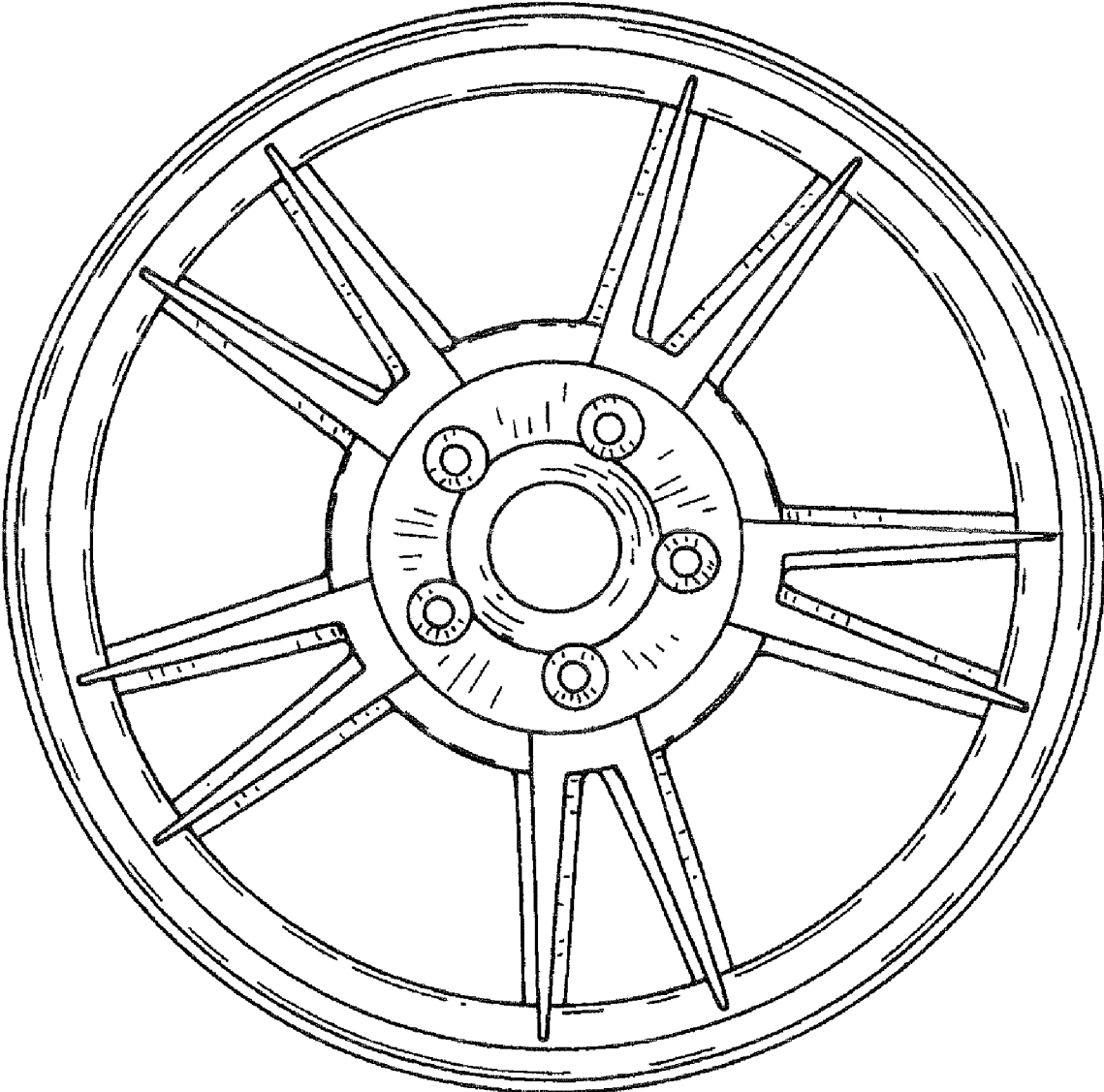


FIG. 2