



US00D745335S

(12) **United States Design Patent**  
Kyle et al.

(10) **Patent No.:** US D745,335 S

(45) **Date of Patent:** \*\* Dec. 15, 2015

(54) **CONTAINER**

(71) Applicant: **Cool Gear International, LLC,**  
Plymouth, MA (US)

(72) Inventors: **Troy Kyle,** Pembroke, MA (US); **Donna Roth,** Duxbury, MA (US); **John D. Mason,** Brockton, MA (US)

(73) Assignee: **Cool Gear International, LLC,**  
Plymouth, MA (US)

(\*\*) Term: **14 Years**

(21) Appl. No.: **29/491,219**

(22) Filed: **May 19, 2014**

**Related U.S. Application Data**

(62) Division of application No. 29/416,388, filed on Mar. 21, 2012, now Pat. No. Des. 705,014.

(51) **LOC (10) Cl.** ..... **07-01**

(52) **U.S. Cl.**  
USPC ..... **D7/629**

(58) **Field of Classification Search**  
USPC ..... D7/672, 601, 550.1, 551.1, 551.2, D7/551.3, 552.1, 552.2, 553.1, 553.2, D7/553.3, 553.4, 553.5, 553.7, 553.8, D7/554.1, 554.3, 554.4, 555, 557, 602, D7/629, 630, 538-542, 612-615, 584, 586, D7/587, 392.1, 709, 502, 608, 622; D9/424-432, 414-423; D3/273, D3/201-206, 276, 283, 284, 295, 274, D3/302; 229/107, 406, 120, 125.17, 4.5, 229/938; 220/669-673, 675, 574-575, 220/573.1, 4.21, 660, 326, 236, 780-795, 220/796-806, 4.24, 288, 260, 266, 306, 220/352, 356; 190/109, 110; 426/106; 206/216, 217, 541-550, 223, 467  
CPC ..... B65D 1/00; B65D 3/00; B65D 3/10; B65D 3/24; B65D 3/268; B65D 11/00; B65D 11/02; B65D 13/00; B65D 15/00;

B65D 15/02; B65D 15/16; B65D 21/00; B65D 75/327; B65D 81/26; A47J 47/00; A47J 39/006; F25D 2303/0845

See application file for complete search history.

(56) **References Cited**

U.S. PATENT DOCUMENTS

D256,994 S \* 9/1980 MacGregor ..... D3/205  
4,412,630 A \* 11/1983 Daenen ..... 220/792  
D328,030 S \* 7/1992 Dumbrell ..... D3/302  
6,048,558 A \* 4/2000 Feldmeier et al. .... 426/120

(Continued)

*Primary Examiner* — Ian Simmons

*Assistant Examiner* — Shannon Morgan

(74) *Attorney, Agent, or Firm* — Mintz Levin Cohn Ferris Glovsky and Popeo, P.C.; Steve Jensen; Richard B. Emmons

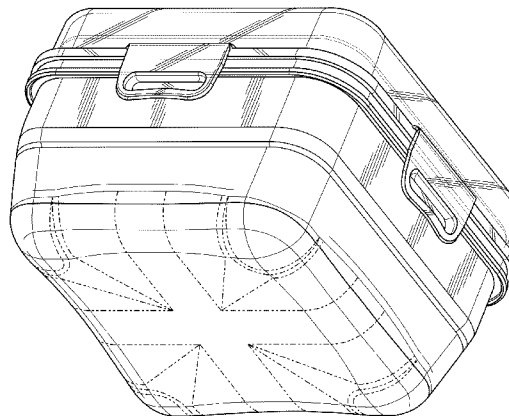
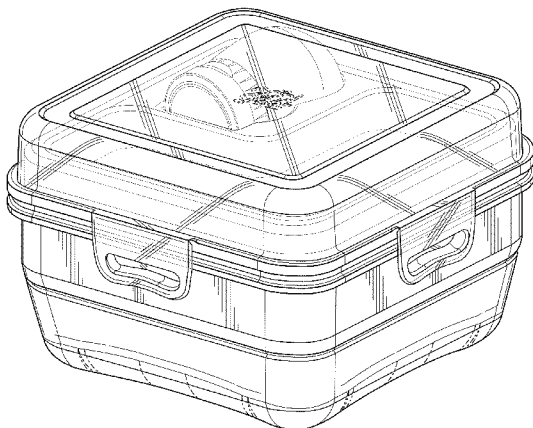
(57) **CLAIM**

The ornamental design for a container, as shown and described.

**DESCRIPTION**

FIG. 1 is a top, front, and right side perspective view of a container showing our new design; FIG. 2 is a bottom, front, and right side perspective view thereof; FIG. 3 is a front side elevational view thereof; FIG. 4 is a back side elevational view thereof; FIG. 5 is a right side elevational view thereof (the left side elevational view being identical); FIG. 6 is a top plan view thereof; and, FIG. 7 is a bottom plan view thereof. The broken lines in FIGS. 1-7 immediately adjacent to the claimed subject matter along the bottom surface and lower portion of the sides of the container represent surface ornamentation, and form no part of the claimed design. The broken lines in FIGS. 1 and 6 represent portions of the container that form no part of the claimed design.

**1 Claim, 7 Drawing Sheets**





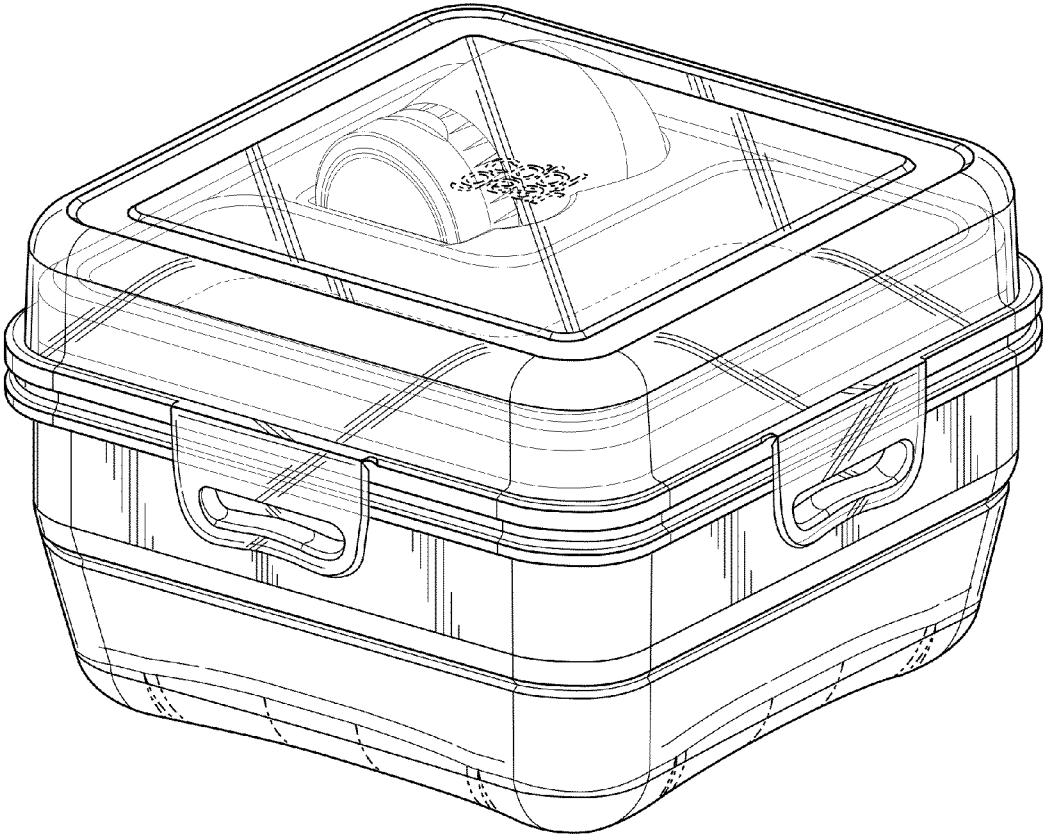


FIG. 1

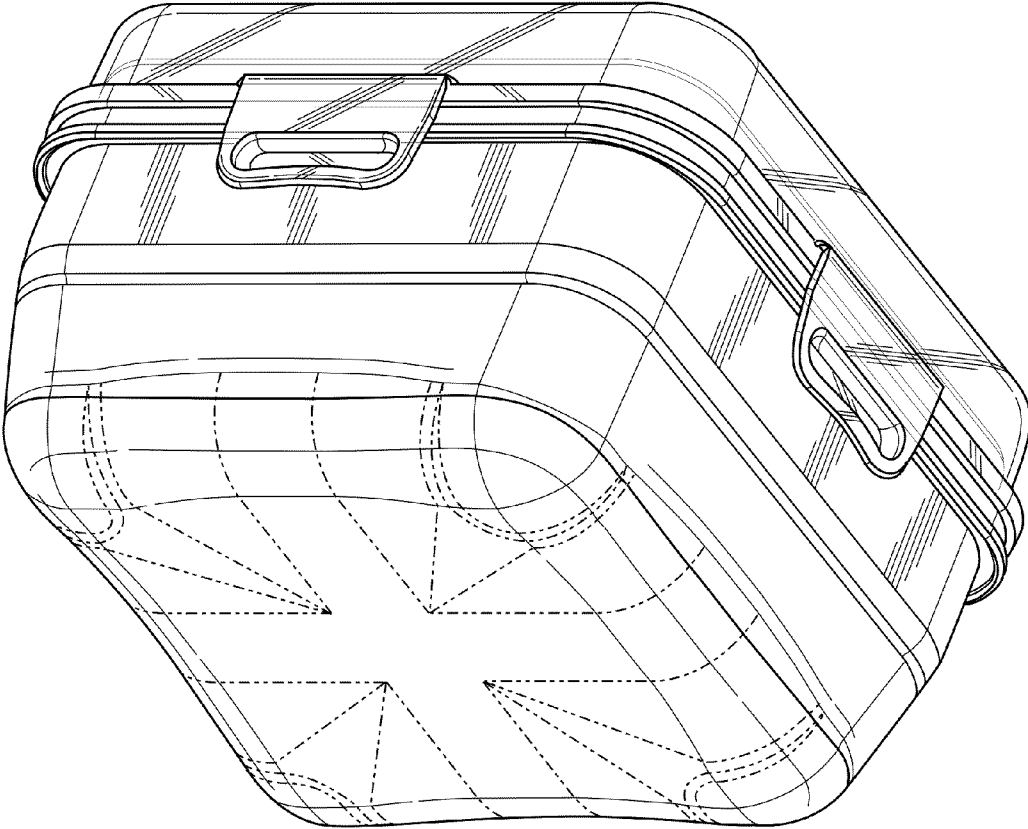


FIG. 2

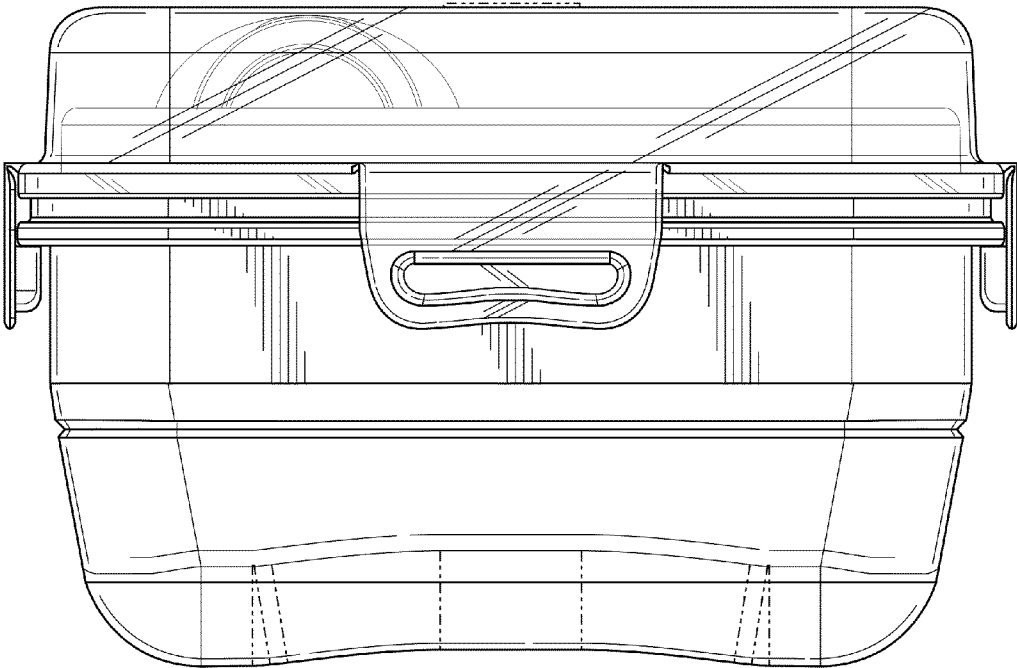


FIG. 3

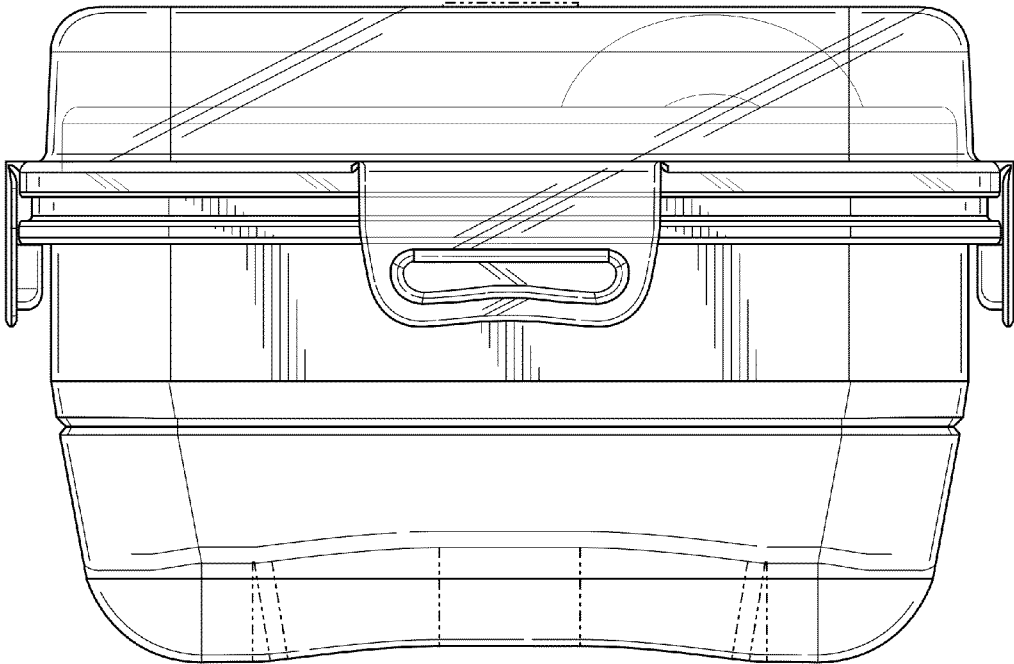


FIG. 4

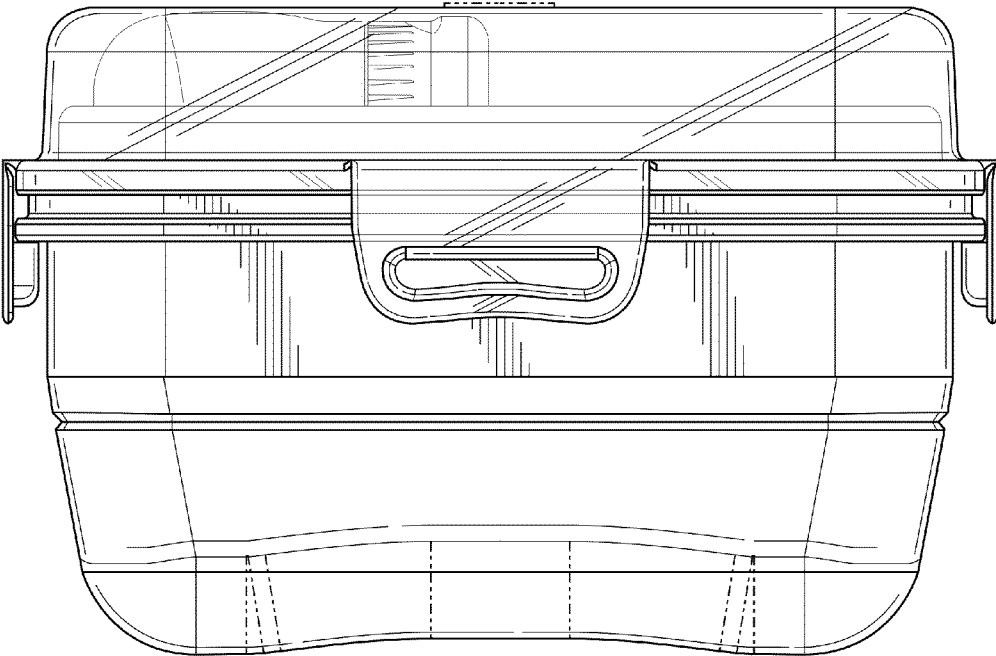


FIG. 5

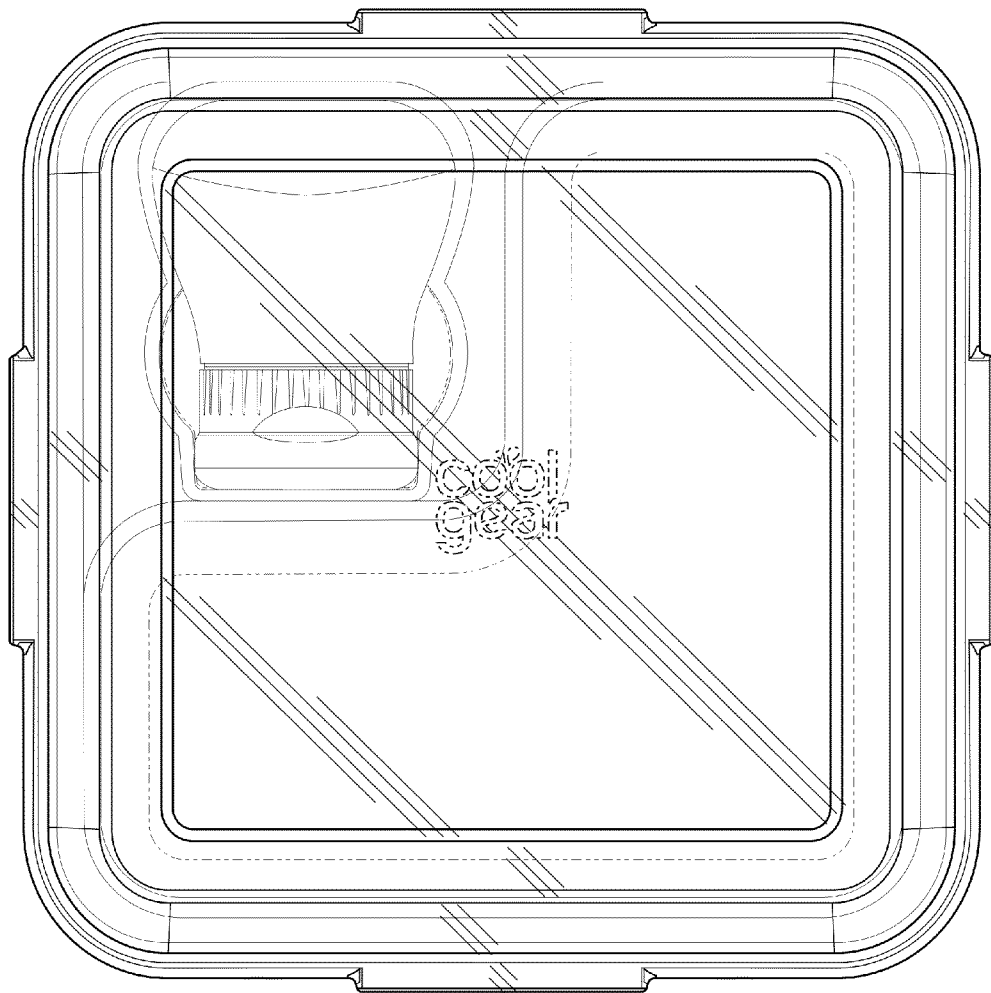


FIG. 6



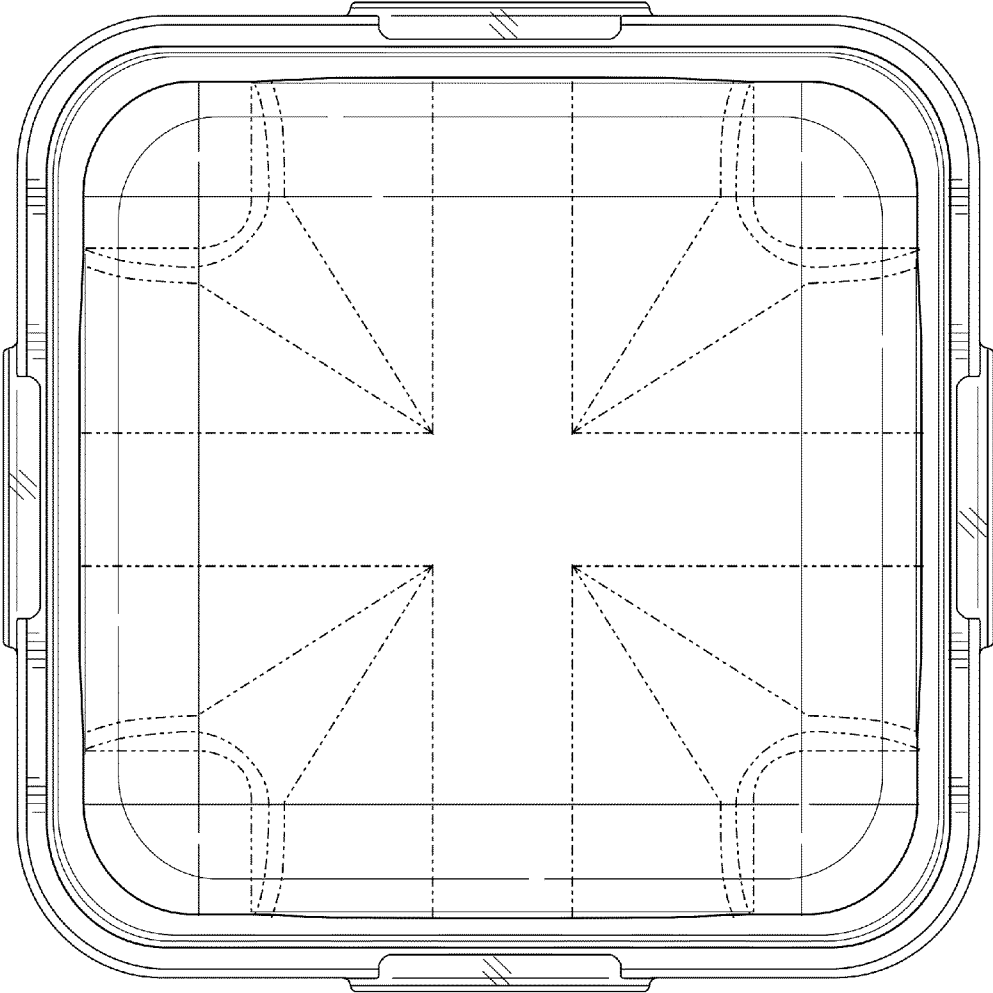


FIG. 7