

(19) World Intellectual Property Organization  
International Bureau



(43) International Publication Date  
22 January 2009 (22.01.2009)

PCT

(10) International Publication Number  
WO 2009/011859 A3

- (51) International Patent Classification:  
B66C 13/22 (2006.01)
- (21) International Application Number:  
PCT/US2008/008667
- (22) International Filing Date: 16 July 2008 (16.07.2008)
- (25) Filing Language: English
- (26) Publication Language: English
- (30) Priority Data:  
60/961,075 17 July 2007 (17.07.2007) US
- (71) Applicant and  
(72) Inventor: DEVOS, Ryan [US/US]; 20049 Coyote Trail,  
Macomb Township, MI 48043 (US).
- (74) Agent: BENEFIEL, John, R.; 525 Lewis Street, Birm-  
ingham, MI 48009 (US).
- (81) Designated States (unless otherwise indicated, for every  
kind of national protection available): AE, AG, AL, AM,  
AO, AT, AU, AZ, BA, BB, BG, BH, BR, BW, BY, BZ, CA,  
CH, CN, CO, CR, CU, CZ, DE, DK, DM, DO, DZ, EC, EE,

EG, ES, FI, GB, GD, GE, GH, GM, GT, HN, HR, HU, ID,  
IL, IN, IS, JP, KE, KG, KM, KN, KP, KR, KZ, LA, LC, LK,  
LR, LS, LT, LU, LY, MA, MD, ME, MG, MK, MN, MW,  
MX, MY, MZ, NA, NG, NI, NO, NZ, OM, PG, PH, PL, PT,  
RO, RS, RU, SC, SD, SE, SG, SK, SL, SM, ST, SV, SY, TJ,  
TM, TN, TR, TT, TZ, UA, UG, US, UZ, VC, VN, ZA, ZM,  
ZW.

(84) Designated States (unless otherwise indicated, for every  
kind of regional protection available): ARIPO (BW, GH,  
GM, KE, LS, MW, MZ, NA, SD, SL, SZ, TZ, UG, ZM,  
ZW), Eurasian (AM, AZ, BY, KG, KZ, MD, RU, TJ, TM),  
European (AT, BE, BG, CH, CY, CZ, DE, DK, EE, ES, FI,  
FR, GB, GR, HR, HU, IE, IS, IT, LT, LU, LV, MC, MT, NL,  
NO, PL, PT, RO, SE, SI, SK, TR), OAPI (BF, BJ, CF, CG,  
CI, CM, GA, GN, GQ, GW, ML, MR, NE, SN, TD, TG).

Published:  
— with international search report  
— before the expiration of the time limit for amending the  
claims and to be republished in the event of receipt of  
amendments

(88) Date of publication of the international search report:  
12 March 2009

(54) Title: HOIST CONTROLS WITH COMPENSATION FOR DYNAMIC EFFECTS

(57) Abstract: A servo motor driven hoist includes a float mode in  
which a load is raised lowered in response to manually applied forces  
on the load exerted by an operator in which forces applied to the load  
as a result of accelerations of the load generated by hoist movement  
of said load are compensated for by sensing the accelerations and com-  
puting the forces resulting therefrom, and subtracting those forces from  
the sensed total magnitude of forces acting on the load to eliminate the  
effects of dynamically generated forces when in the float mode.

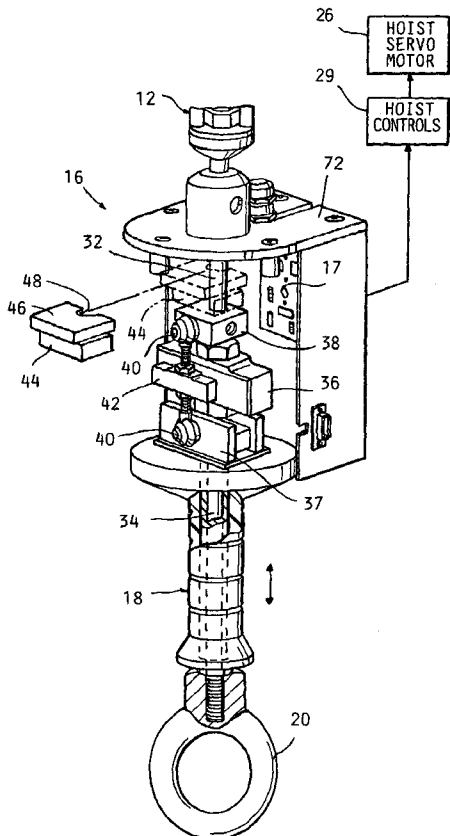


FIG. 3

WO 2009/011859 A3

**A. CLASSIFICATION OF SUBJECT MATTER***B66C 13/22(2006.01)i*

According to International Patent Classification (IPC) or to both national classification and IPC

**B. FIELDS SEARCHED**

Minimum documentation searched (classification system followed by classification symbols)

IPC B66C 13/22, B66C 1/10

Documentation searched other than minimum documentation to the extent that such documents are included in the fields searched

Korean utility models and applications for utility models since 1975

Japanese utility models and applications for utility models since 1975

Electronic data base consulted during the international search (name of data base and, where practicable, search terms used)

eKIPASS (KIPO internal) &amp; Keywords: hoist, servo motor, float mode, and load cell,

**C. DOCUMENTS CONSIDERED TO BE RELEVANT**

Category*	Citation of document, with indication, where appropriate, of the relevant passages	Relevant to claim No.
A	US 5513886 A1 (SCOTT M. CYR) 7 MAY 1996 See abstract and Figure 1.	1-4
A	US 4516645 A1 (DONALD C. WETZEL) 14 MAY 1985 See abstract and Figures 1, 2.	1-4
A	JP 06083690 U (KABUSIKIKAISYA MEIDENSYA) 29 NOVEMBER 1994 See claim 1 and Figures 1, 2.	1-4
A	JP 2001031369 A (ISHIKAWAJIMA HARIMA HEAVY IND CO LTD) 6 FEBRUARY 2001 See abstract and Figures 1-3..	1-4

 Further documents are listed in the continuation of Box C. See patent family annex.

\* Special categories of cited documents:

"A" document defining the general state of the art which is not considered to be of particular relevance

"E" earlier application or patent but published on or after the international filing date

"L" document which may throw doubts on priority claim(s) or which is cited to establish the publication date of citation or other special reason (as specified)

"O" document referring to an oral disclosure, use, exhibition or other means

"P" document published prior to the international filing date but later than the priority date claimed

"T" later document published after the international filing date or priority date and not in conflict with the application but cited to understand the principle or theory underlying the invention

"X" document of particular relevance; the claimed invention cannot be considered novel or cannot be considered to involve an inventive step when the document is taken alone

"Y" document of particular relevance; the claimed invention cannot be considered to involve an inventive step when the document is combined with one or more other such documents, such combination being obvious to a person skilled in the art

"&amp;" document member of the same patent family

Date of the actual completion of the international search

23 JANUARY 2009 (23.01.2009)

Date of mailing of the international search report

**28 JANUARY 2009 (28.01.2009)**

Name and mailing address of the ISA/KR

Korean Intellectual Property Office  
Government Complex-Daejeon, 139 Seonsa-ro, Seo-gu,  
Daejeon 302-701, Republic of Korea

Facsimile No. 82-42-472-7140

Authorized officer

CHUNG, Suk Hyun

Telephone No. 82-42-481-8285



**INTERNATIONAL SEARCH REPORT**

Information on patent family members

International application No.

**PCT/US2008/008667**

Patent document cited in search report	Publication date	Patent family member(s)	Publication date
US 5513886 A1	07. 05. 1996	AU 1091195 A AU 680073 B2 EP 0677009 A1 EP 0677009 A4 WO 95-13211 A1	29.05. 1995 17.07. 1997 18. 10. 1995 03.04. 1996 18.05. 1995
US 4516645 A1	14. 05. 1985	CA 1188328 A1	04.06. 1985
JP 06083690 U	29. 11. 1994	NONE	
JP 2001031369 A	06. 02. 2001	NONE	