



US00D475901S

(12) **United States Design Patent**
Makino et al.

(10) **Patent No.:** **US D475,901 S**

(45) **Date of Patent:** **** Jun. 17, 2003**

(54) **FUNNEL**

(76) Inventors: **Hideya Makino**, 2169-1, Matukura-cho, Takayama-city, Gifu 506-0034 (JP);
Daisuke Makino, 2169-1, Matukura-cho, Takayama-city, Gifu 506-0034 (JP)

(**) Term: **14 Years**

(21) Appl. No.: **29/156,277**

(22) Filed: **Feb. 27, 2002**

(30) **Foreign Application Priority Data**

Aug. 30, 2001 (JP) 2001-025411

(51) **LOC (7) Cl.** **07-99**

(52) **U.S. Cl.** **D7/700**

(58) **Field of Search** D7/700; D9/305, D9/306; D23/200; 141/199-205, 297-300, 331-345; 229/116; D15/150

(56) **References Cited**

U.S. PATENT DOCUMENTS

2,629,377 A * 2/1953 Parks 141/337 X
4,751,751 A * 6/1988 Reno 141/337 X
D340,468 S * 10/1993 Pollak et al. D7/700 X
D383,949 S * 9/1997 Lown D7/700

5,742,948 A * 4/1998 Cicio 141/337 X
6,202,225 B1 * 3/2001 Beck et al. 141/337 X

* cited by examiner

Primary Examiner—Ted Shooman

(74) *Attorney, Agent, or Firm*—Finnegan, Henderson, Farabow, Garrett & Dunner. L.L.P.

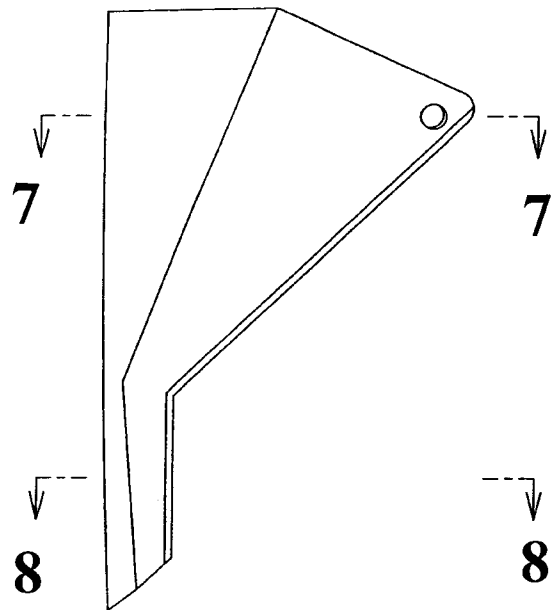
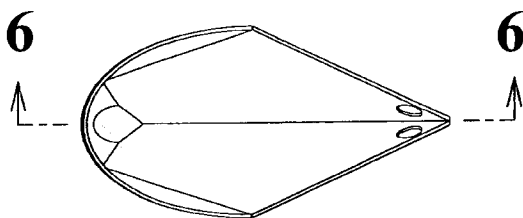
(57) **CLAIM**

The ornamental design for a funnel, as shown and described.

DESCRIPTION

FIG. 1 is a top plan view of a funnel of the design; FIG. 2 is a front view of the design of FIG. 1, the rear view being a mirror image of the front view; FIG. 3 is a bottom view of the design of FIG. 1; FIG. 4 is a right-side elevational view of the design of FIG. 1; FIG. 5 is a left-side elevational view of the design of FIG. 1; FIG. 6 is a front cross-section view thereof, taken along line 6—6 of FIG. 1; FIG. 7 is a top cross-section view thereof taken along line 7—7 of 2; and, FIG. 8 is a top cross-section view thereof taken along line 8—8 of FIG. 2.

1 Claim, 8 Drawing Sheets



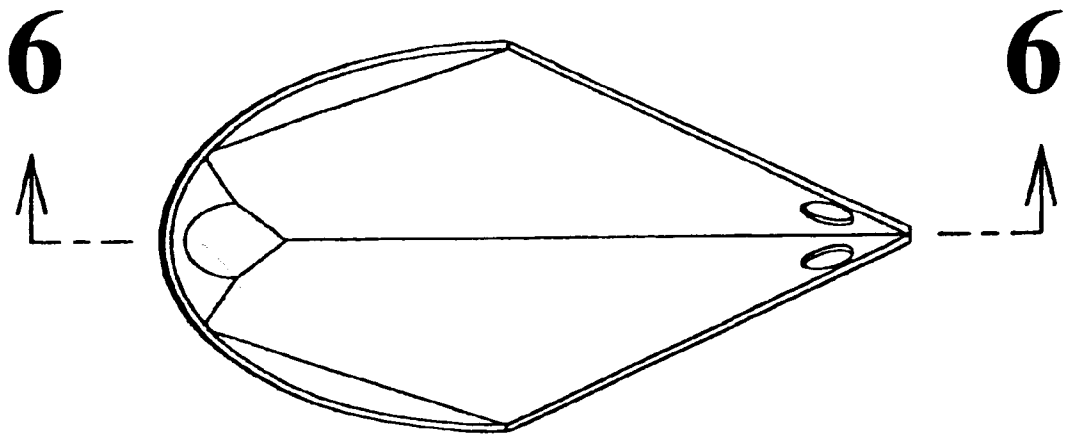


Fig. 1

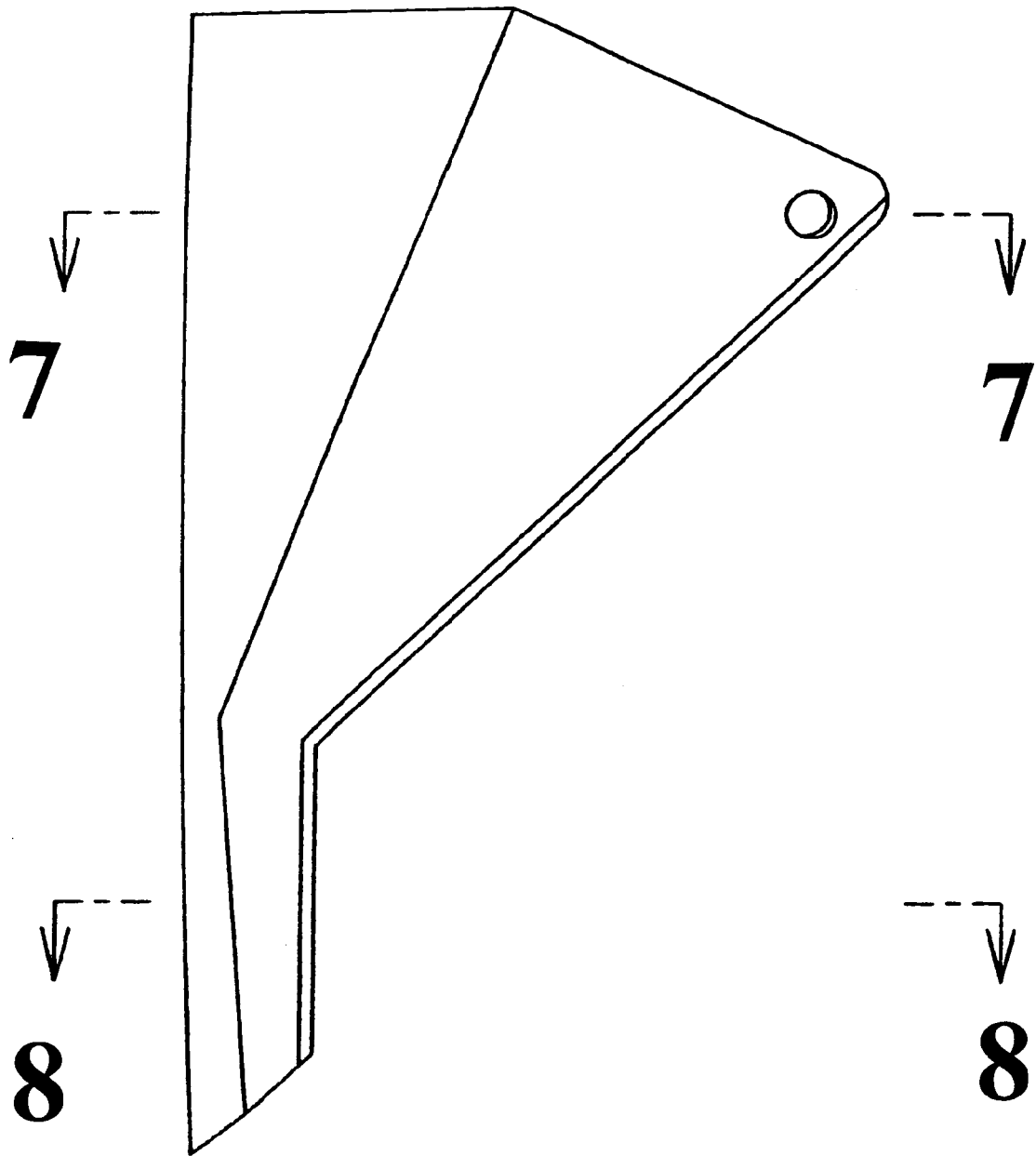


Fig. 2

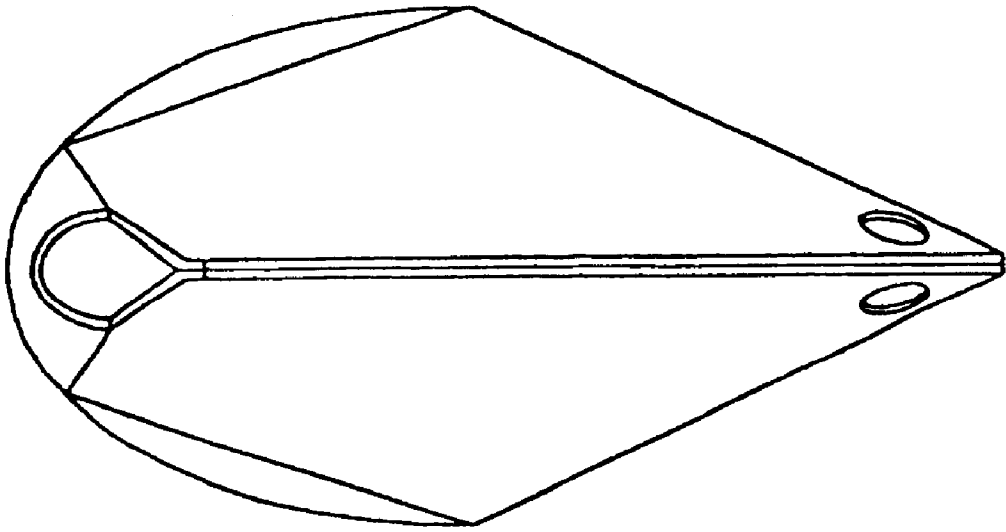


Fig. 3

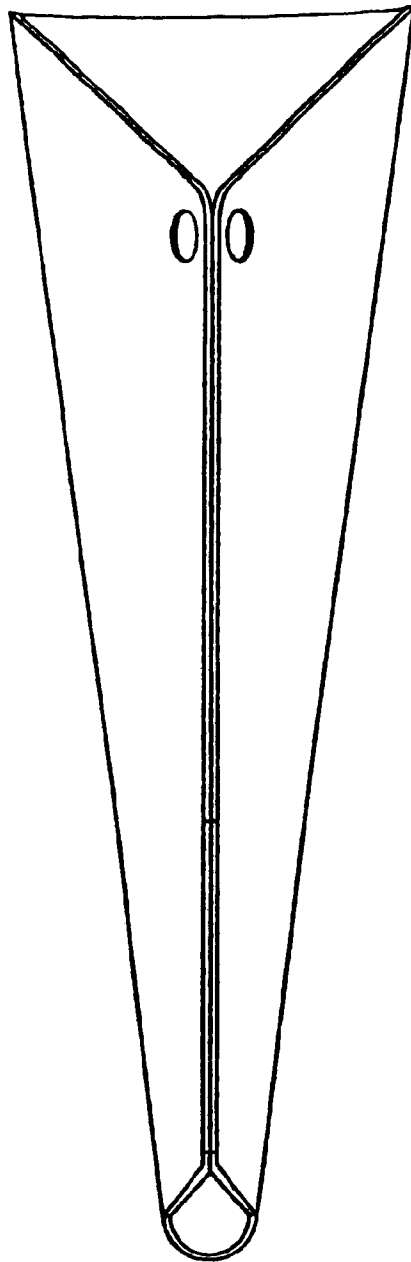


Fig. 4

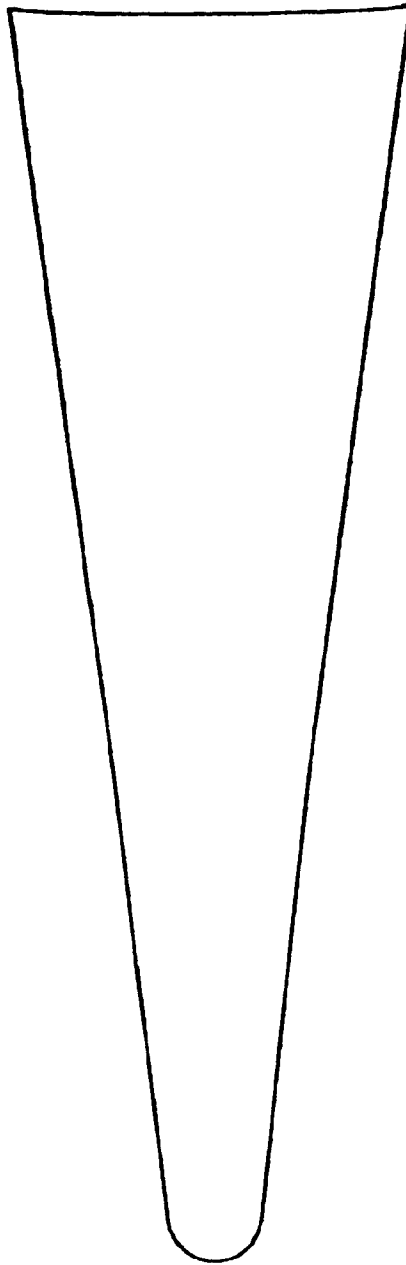


Fig. 5

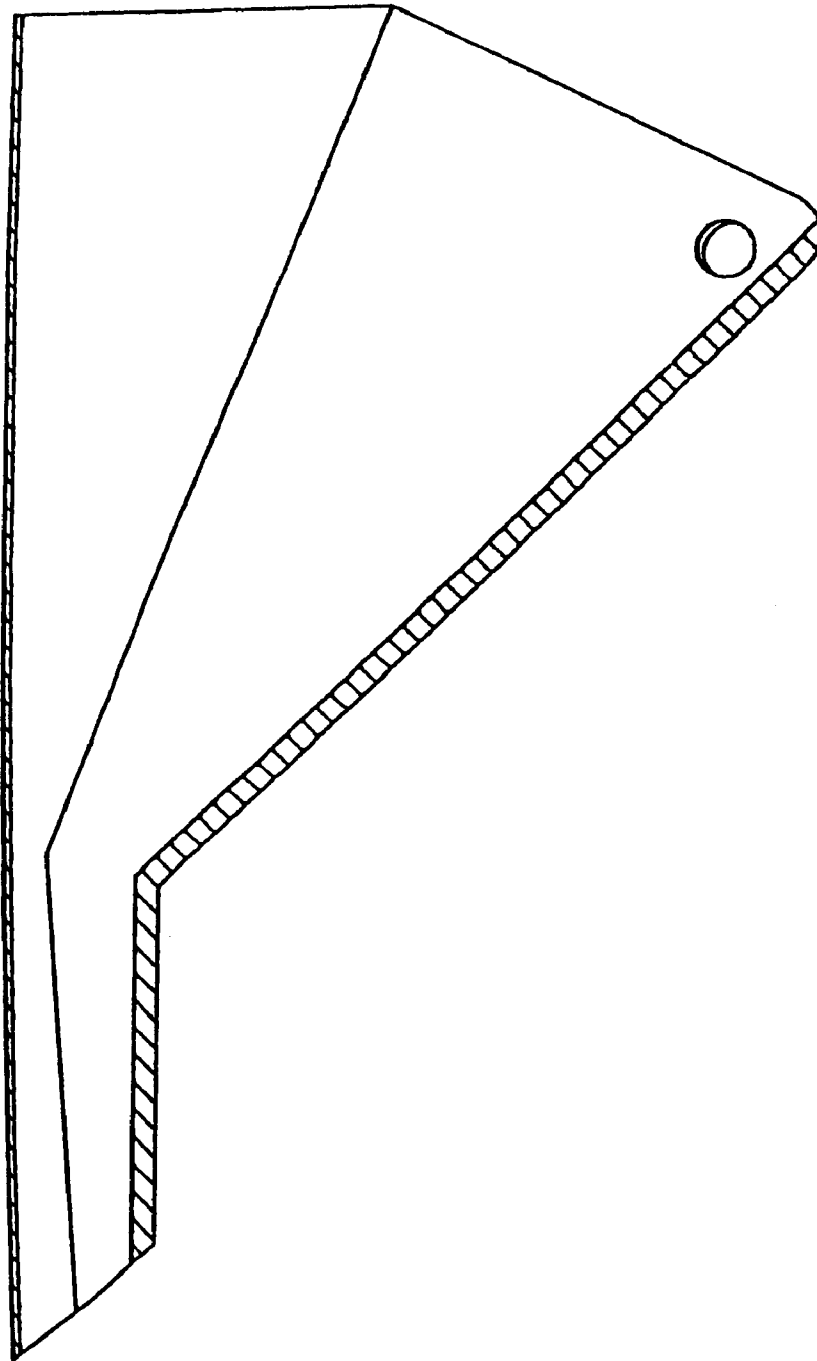


Fig. 6

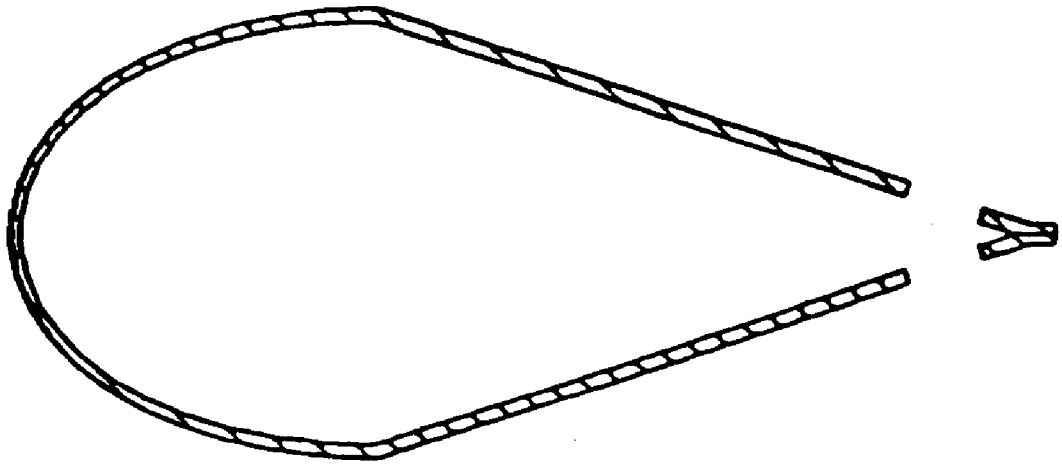


Fig. 7

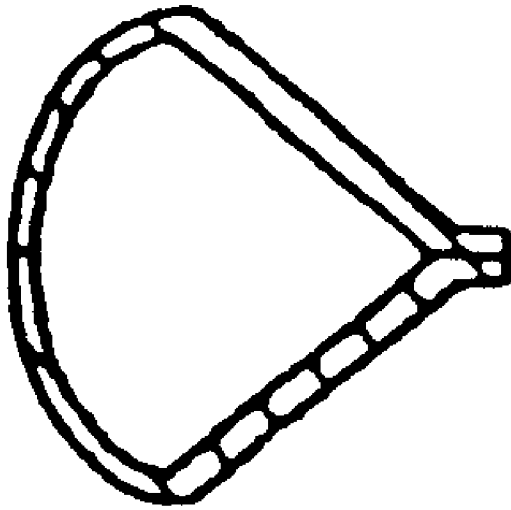


Fig. 8