



- (51) **International Patent Classification:**  
*H01R 12/77* (2011.01)
- (21) **International Application Number:**  
PCT/US2011/023206
- (22) **International Filing Date:**  
31 January 2011 (31.01.2011)
- (25) **Filing Language:** English
- (26) **Publication Language:** English
- (30) **Priority Data:**  
2010-018790 29 January 2010 (29.01.2010) JP
- (71) **Applicant (for all designated States except US):**  
**MOLEX INCORPORATED** [US/US]; 2222 Wellington Court, Lisle, Illinois 60532-1682 (US).
- (72) **Inventors; and**
- (75) **Inventors/Applicants (for US only):** **SATO, Kuniyoshi** [JP/JP]; Molex Incorporated, 2222 Wellington Court, Lisle, Illinois 60532 1682 (US). **KAWAI, Atsushi** [JP/JP]; Molex Incorporated, 2222 Wellington Court, Lisle, Illinois 60532 1682 (US).
- (74) **Agents:** **MORELLA, Timothy** et al.; Molex Incorporated, 2222 Wellington Court, Lisle, Illinois 60532-1682 (US).
- (81) **Designated States (unless otherwise indicated, for every kind of national protection available):** AE, AG, AL, AM,

AO, AT, AU, AZ, BA, BB, BG, BH, BR, BW, BY, BZ, CA, CH, CL, CN, CO, CR, CU, CZ, DE, DK, DM, DO, DZ, EC, EE, EG, ES, FI, GB, GD, GE, GH, GM, GT, HN, HR, HU, ID, IL, IN, IS, KE, KG, KM, KN, KP, KR, KZ, LA, LC, LK, LR, LS, LT, LU, LY, MA, MD, ME, MG, MK, MN, MW, MX, MY, MZ, NA, NG, NI, NO, NZ, OM, PE, PG, PH, PL, PT, RO, RS, RU, SC, SD, SE, SG, SK, SL, SM, ST, SV, SY, TH, TJ, TM, TN, TR, TT, TZ, UA, UG, US, UZ, VC, VN, ZA, ZM, ZW.

- (84) **Designated States (unless otherwise indicated, for every kind of regional protection available):** ARIPO (BW, GH, GM, KE, LR, LS, MW, MZ, NA, SD, SL, SZ, TZ, UG, ZM, ZW), Eurasian (AM, AZ, BY, KG, KZ, MD, RU, TJ, TM), European (AL, AT, BE, BG, CH, CY, CZ, DE, DK, EE, ES, FI, FR, GB, GR, HR, HU, IE, IS, IT, LT, LU, LV, MC, MK, MT, NL, NO, PL, PT, RO, RS, SE, SI, SK, SM, TR), OAPI (BF, BJ, CF, CG, CI, CM, GA, GN, GQ, GW, ML, MR, NE, SN, TD, TG).

**Published:**

- with international search report (Art. 21(3))
- before the expiration of the time limit for amending the claims and to be republished in the event of receipt of amendments (Rule 48.2(h))

- (88) **Date of publication of the international search report:**  
17 November 2011

(54) **Title:** CONNECTOR

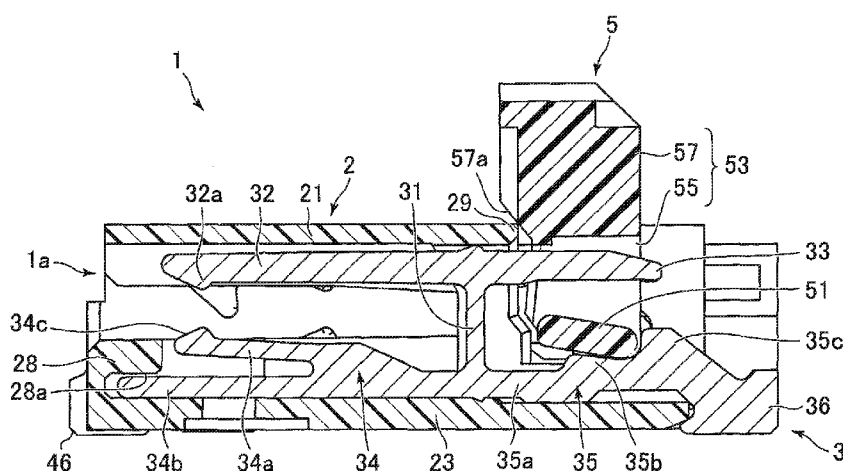


FIG. 2A

(57) **Abstract:** In a connector, a first stopper formed in a case is positioned above an upper front beam and to the front of a lever portion, and a second stopper formed in a lower rear beam of a first terminal is positioned to the rear of a cam portion. When the lever portion abuts the first stopper, the cam portion abuts the second stopper.

WO 2011/094701 A3

## INTERNATIONAL SEARCH REPORT

International application No.  
**PCT/US2011/023206****A. CLASSIFICATION OF SUBJECT MATTER****H01R 12/77(2011.01)i**

According to International Patent Classification (IPC) or to both national classification and IPC

**B. FIELDS SEARCHED**

Minimum documentation searched (classification system followed by classification symbols)

H01R 12/77; H01R 9/09; H01R 24/00; H01R 13/62

Documentation searched other than minimum documentation to the extent that such documents are included in the fields searched

Korean utility models and applications for utility models

Japanese utility models and applications for utility models

Electronic data base consulted during the international search (name of data base and, where practicable, search terms used)

eKOMPASS(KIPO internal) &amp; Keywords:connector,actuator,cam

**C. DOCUMENTS CONSIDERED TO BE RELEVANT**

Category*	Citation of document, with indication, where appropriate, of the relevant passages	Relevant to claim No.
A	US 05622505A A (HASHIGUCHI; OSAMU et al.) 22 April 1997 See column 3, line 56 - column 5, line 28 and figures 1-3.	1-10
A	US 2009-0269986 A1 (SATO TOMOYUKI et al.) 29 October 2009 See paragraph [0040] - paragraph [0051] and figures 1-5.	1-10
A	US 2005-0003689 A1 (NISHIDE SATORU) 06 January 2005 See paragraph [0033] - paragraph [0044] and figures 1-5.	1-10

 Further documents are listed in the continuation of Box C. See patent family annex.

\* Special categories of cited documents:

"A" document defining the general state of the art which is not considered to be of particular relevance

"E" earlier application or patent but published on or after the international filing date

"L" document which may throw doubts on priority claim(s) or which is cited to establish the publication date of citation or other special reason (as specified)

"O" document referring to an oral disclosure, use, exhibition or other means

"P" document published prior to the international filing date but later than the priority date claimed

"T" later document published after the international filing date or priority date and not in conflict with the application but cited to understand the principle or theory underlying the invention

"X" document of particular relevance; the claimed invention cannot be considered novel or cannot be considered to involve an inventive step when the document is taken alone

"Y" document of particular relevance; the claimed invention cannot be considered to involve an inventive step when the document is combined with one or more other such documents, such combination being obvious to a person skilled in the art

"&amp;" document member of the same patent family

Date of the actual completion of the international search

28 SEPTEMBER 2011 (28.09.2011)

Date of mailing of the international search report

**28 SEPTEMBER 2011 (28.09.2011)**

Name and mailing address of the ISA/KR

Korean Intellectual Property Office  
Government Complex-Daejeon, 189 Cheongsa-ro,  
Seo-gu, Daejeon 302-701, Republic of Korea

Facsimile No. 82-42-472-7140

Authorized officer

KIM, Sung Hee

Telephone No. 82-42-481-5889



**INTERNATIONAL SEARCH REPORT**

Information on patent family members

International application No.

**PCT/US2011/023206**

Patent document cited in search report	Publication date	Patent family member(s)	Publication date
US 05622505A A	22.04.1997	EP 0708502 A2	24.04.1996
		EP 0708502 A3	13.11.1996
		EP 0708502 B1	22.03.2000
		JP 02-717393 B2	14.11.1997
		JP 08-171965 A	02.07.1996
		JP 2717393 B2	18.02.1998
		US 2009-0269986 A1	29.10.2009
US 2005-0003689 A1	06.01.2005	JP 2009-266457 A	12.11.2009
		KR 10-0992833 B1	08.11.2010
		US 7828571 B2	09.11.2010
		EP 1443611 A1	04.08.2004
US 2005-0003689 A1	06.01.2005	JP 2004-214106 A	29.07.2004
		US 6887089 B2	03.05.2005