

(19) World Intellectual Property Organization
International Bureau



(43) International Publication Date
29 November 2001 (29.11.2001)

PCT

(10) International Publication Number
WO 01/90661 A3

(51) International Patent Classification⁷: **F24J 2/10**

CZ, DE, DK, DM, DZ, EC, EE, ES, FI, GB, GD, GE, GH, GM, HR, HU, ID, IL, IN, IS, JP, KE, KG, KP, KR, KZ, LC, LK, LR, LS, LT, LU, LV, MA, MD, MG, MK, MN, MW, MX, MZ, NO, NZ, PL, PT, RO, RU, SD, SE, SG, SI, SK, SL, TJ, TM, TR, TT, TZ, UA, UG, UZ, VN, YU, ZA, ZW.

(21) International Application Number: PCT/US01/15588

(22) International Filing Date: 15 May 2001 (15.05.2001)

(25) Filing Language: English

(84) Designated States (regional): ARIPO patent (GH, GM, KE, LS, MW, MZ, SD, SL, SZ, TZ, UG, ZW), Eurasian patent (AM, AZ, BY, KG, KZ, MD, RU, TJ, TM), European patent (AT, BE, CH, CY, DE, DK, ES, FI, FR, GB, GR, IE, IT, LU, MC, NL, PT, SE, TR), OAPI patent (BF, BJ, CF, CG, CI, CM, GA, GN, GW, ML, MR, NE, SN, TD, TG).

(26) Publication Language: English

(30) Priority Data:
09/579,537 24 May 2000 (24.05.2000) US

(71) Applicant and
(72) Inventor: FRAZIER, Scott [US/US]; 10617 Robin Creek Lane, Frisco, TX 75035 (US).

Published:
— with international search report

(74) Agent: GREENFIELD, Steven, R.; Jenkins & Gilchrist, P.C., Suite 3200, 1445 Ross Avenue, Dallas, TX 75202 (US).

(88) Date of publication of the international search report:
30 May 2002

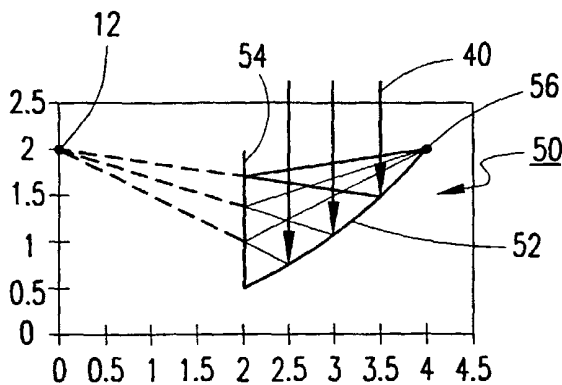
(81) Designated States (national): AE, AG, AL, AM, AT, AU, AZ, BA, BB, BG, BR, BY, BZ, CA, CH, CN, CO, CR, CU,

For two-letter codes and other abbreviations, refer to the "Guidance Notes on Codes and Abbreviations" appearing at the beginning of each regular issue of the PCT Gazette.



WO 01/90661 A3

(54) Title: DOUBLE REFLECTING SOLAR CONCENTRATOR



Reflecting plane changes the focal point

(57) Abstract: A double reflecting solar concentrator (50) utilizing a primary parabolic reflective surface (52) which reflects incident light (40) toward a secondary surface (54). The incident light (40) reflects off the secondary surface (54) away from the primary parabolic surface's (52) natural focus point (12) toward a secondary focal point (56) positioned on or substantially near the surface of the primary parabolic reflective surface (52).

INTERNATIONAL SEARCH REPORT

International Application No
PCT/US 01/15588

A. CLASSIFICATION OF SUBJECT MATTER IPC 7 F24J2/10				
According to International Patent Classification (IPC) or to both national classification and IPC				
B. FIELDS SEARCHED				
Minimum documentation searched (classification system followed by classification symbols) IPC 7 F24J H01L				
Documentation searched other than minimum documentation to the extent that such documents are included in the fields searched				
Electronic data base consulted during the international search (name of data base and, where practical, search terms used) EPO-Internal, WPI Data, PAJ				
C. DOCUMENTS CONSIDERED TO BE RELEVANT				
Category °	Citation of document, with indication, where appropriate, of the relevant passages	Relevant to claim No.		
Y	EP 0 785 400 A (IZUMI HISAO) 23 July 1997 (1997-07-23) column 6, paragraph 3; figure 5 ---	1,2, 9-11,15, 16,18		
Y	US 4 784 700 A (STERN THEODORE G ET AL) 15 November 1988 (1988-11-15) column 3, line 11 - line 35; figures 2B,2C ---	1,2, 9-11,15, 16,18		
A	US 4 365 616 A (VANDENBERG LEONARD B) 28 December 1982 (1982-12-28) column 10, line 15 - line 49; figures 15,16 ---	6,7,17		
A	WO 97 13104 A (PAK HWA RANG) 10 April 1997 (1997-04-10) abstract; figures -----	1,11		
<input type="checkbox"/> Further documents are listed in the continuation of box C. <input checked="" type="checkbox"/> Patent family members are listed in annex.				
° Special categories of cited documents : <table style="width:100%; border:none;"> <tr> <td style="width:50%; vertical-align: top;"> *A* document defining the general state of the art which is not considered to be of particular relevance *E* earlier document but published on or after the international filing date *L* document which may throw doubts on priority claim(s) or which is cited to establish the publication date of another citation or other special reason (as specified) *O* document referring to an oral disclosure, use, exhibition or other means *P* document published prior to the international filing date but later than the priority date claimed </td> <td style="width:50%; vertical-align: top;"> *T* later document published after the international filing date or priority date and not in conflict with the application but cited to understand the principle or theory underlying the invention *X* document of particular relevance; the claimed invention cannot be considered novel or cannot be considered to involve an inventive step when the document is taken alone *Y* document of particular relevance; the claimed invention cannot be considered to involve an inventive step when the document is combined with one or more other such documents, such combination being obvious to a person skilled in the art. *&* document member of the same patent family </td> </tr> </table>			*A* document defining the general state of the art which is not considered to be of particular relevance *E* earlier document but published on or after the international filing date *L* document which may throw doubts on priority claim(s) or which is cited to establish the publication date of another citation or other special reason (as specified) *O* document referring to an oral disclosure, use, exhibition or other means *P* document published prior to the international filing date but later than the priority date claimed	*T* later document published after the international filing date or priority date and not in conflict with the application but cited to understand the principle or theory underlying the invention *X* document of particular relevance; the claimed invention cannot be considered novel or cannot be considered to involve an inventive step when the document is taken alone *Y* document of particular relevance; the claimed invention cannot be considered to involve an inventive step when the document is combined with one or more other such documents, such combination being obvious to a person skilled in the art. *&* document member of the same patent family
A document defining the general state of the art which is not considered to be of particular relevance *E* earlier document but published on or after the international filing date *L* document which may throw doubts on priority claim(s) or which is cited to establish the publication date of another citation or other special reason (as specified) *O* document referring to an oral disclosure, use, exhibition or other means *P* document published prior to the international filing date but later than the priority date claimed	*T* later document published after the international filing date or priority date and not in conflict with the application but cited to understand the principle or theory underlying the invention *X* document of particular relevance; the claimed invention cannot be considered novel or cannot be considered to involve an inventive step when the document is taken alone *Y* document of particular relevance; the claimed invention cannot be considered to involve an inventive step when the document is combined with one or more other such documents, such combination being obvious to a person skilled in the art. *&* document member of the same patent family			
Date of the actual completion of the international search 18 December 2001		Date of mailing of the international search report 03/01/2002		
Name and mailing address of the ISA European Patent Office, P.B. 5818 Patentlaan 2 NL - 2280 HV Rijswijk Tel. (+31-70) 340-2040, Tx. 31 651 epo nl, Fax: (+31-70) 340-3016		Authorized officer Van Dooren, M		

INTERNATIONAL SEARCH REPORT

Information on patent family members

International Application No

PCT/US 01/15588

Patent document cited in search report	A	Publication date	Patent family member(s)	Publication date
EP 0785400	A	23-07-1997	JP 8110100 A	30-04-1996
			JP 8296904 A	12-11-1996
			JP 8306218 A	22-11-1996
			AU 707630 B2	15-07-1999
			AU 3578895 A	02-05-1996
			BR 9509220 A	27-01-1998
			EP 0785400 A1	23-07-1997
			KR 252687 B1	15-04-2000
			US 6057504 A	02-05-2000
			CA 2201733 A1	18-04-1996
			CN 1160441 A	24-09-1997
			WO 9611364 A1	18-04-1996
<hr style="border-top: 1px dashed black;"/>				
US 4784700	A	15-11-1988	NONE	
<hr style="border-top: 1px dashed black;"/>				
US 4365616	A	28-12-1982	NONE	
<hr style="border-top: 1px dashed black;"/>				
WO 9713104	A	10-04-1997	AU 7098296 A	28-04-1997
			WO 9713104 A1	10-04-1997
<hr style="border-top: 1px dashed black;"/>				