

(19) World Intellectual Property Organization
International Bureau



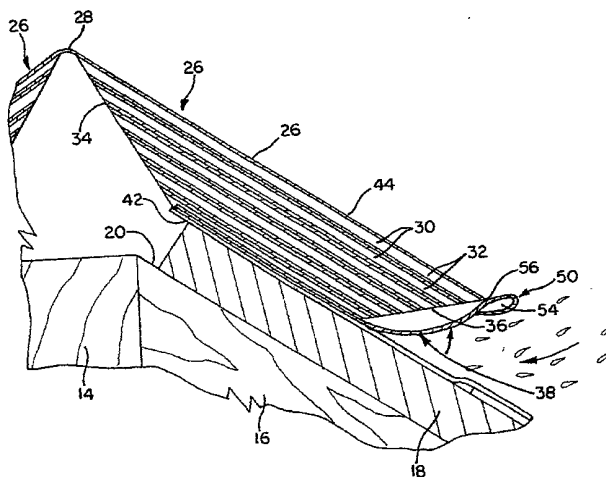
(43) International Publication Date
18 January 2001 (18.01.2001)

PCT

(10) International Publication Number
WO 01/04546 A3

- (51) International Patent Classification⁷: F24F 7/02, E04D 3/16
- (21) International Application Number: PCT/US00/18969
- (22) International Filing Date: 12 July 2000 (12.07.2000)
- (25) Filing Language: English
- (26) Publication Language: English
- (30) Priority Data:
09/351,021 12 July 1999 (12.07.1999) US
- (81) Designated States (*national*): AE, AG, AL, AM, AT, AU, AZ, BA, BB, BG, BR, BY, CA, CH, CN, CR, CU, CZ, DE, DK, DM, DZ, EE, ES, FI, GB, GD, GE, GH, GM, HR, HU, ID, IL, IN, IS, JP, KE, KG, KP, KR, KZ, LC, LK, LR, LS, LT, LU, LV, MA, MD, MG, MK, MN, MW, MX, MZ, NO, NZ, PL, PT, RO, RU, SD, SE, SG, SI, SK, SL, TJ, TM, TR, TT, TZ, UA, UG, UZ, VN, YU, ZA, ZW.
- (84) Designated States (*regional*): ARIPO patent (GH, GM, KE, LS, MW, MZ, SD, SL, SZ, TZ, UG, ZW), Eurasian patent (AM, AZ, BY, KG, KZ, MD, RU, TJ, TM), European patent (AT, BE, CH, CY, DE, DK, ES, FI, FR, GB, GR, IE, IT, LU, MC, NL, PT, SE), OAPI patent (BF, BJ, CF, CG, CI, CM, GA, GN, GW, ML, MR, NE, SN, TD, TG).
- (71) Applicant: COR-A-VENT, INC. [US/US]; 2529 Lincolnway West, P.O. Box 428, Mishawaka, IN 46546 (US). **Published:**
— With international search report.
- (72) Inventor: SELLS, Gary, L.; 61375 Hawthorne Trail, South Bend, IN 46614 (US). **(88) Date of publication of the international search report:**
25 May 2001
- (74) Agent: TYCHONIEVICH, Daniel; Baker & Daniels, Suite 250, 205 W. Jefferson Boulevard, South Bend, IN 46601 (US). *For two-letter codes and other abbreviations, refer to the "Guidance Notes on Codes and Abbreviations" appearing at the beginning of each regular issue of the PCT Gazette.*

(54) Title: ROOF VENTILATOR WITH MOVABLE MEMBER TO PREVENT ENTRY OF MOISTURE



(57) Abstract: A ridge vent assembly (10) extends along the ridge of a roof (12) of a building structure and is provided with multiple plies (30) of corrugated material (26, 110). The corrugations of the plies define small diameter passages (32) that communicate a vent opening (20) cut along the ridge of the roof with ambient atmosphere. A baffle (38, 100, 114, 138) provides a means to close the vent to prevent moisture from entering the building through the vent opening. In the preferred embodiment, the baffle terminates into one or more flexible bubbles (54, 102, 104, 118, 128, 140). When wind speed increases above a predetermined wind speed, the baffle moves into a position that seals the vent opening from external moisture. When wind speed is below the predetermined level, gravity allows the baffle to go to an open position, wherein exhaust from the building may escape from the vent opening and through the vent assembly. A similar cloth strip and bubble can be used to weatherstrip windows, doors, and other building openings by securing the movable member to the window or door frame.

WO 01/04546 A3



INTERNATIONAL SEARCH REPORT

International Application No:
PCT/US 00/18969

A. CLASSIFICATION OF SUBJECT MATTER

F24F7/02,E04D3/16

According to International Patent Classification (IPC) or to both national classification and IPC⁷

B. FIELDS SEARCHED

Minimum documentation searched (classification system followed by classification symbols)

F24F,E04D

Documentation searched other than minimum documentation to the extent that such documents are included in the fields searched

Electronic data base consulted during the international search (name of data base and, where practical, search terms used)

C. DOCUMENTS CONSIDERED TO BE RELEVANT

Category*	Citation of document, with indication, where appropriate, of the relevant passages	Relevant to claim No.
A	US 5738581 A (RICKERT et al.) 14 April 1998, the whole document. --	1-39
A	US 5603657 A (SELLS) 18 February 1997, the whole document. --	1-39
A	EP 0838561 A (RICKERT, H.) 29 April 1998, the whole document. ----	1-39

Further documents are listed in the continuation of box C.

Patent family members are listed in annex.

* Special categories of cited documents:

- "A" document defining the general state of the art which is not considered to be of particular relevance
- "E" earlier document but published on or after the international filing date
- "L" document which may throw doubts on priority claim(s) or which is cited to establish the publication date of another citation or other special reason (as specified)
- "O" document referring to an oral disclosure, use, exhibition or other means
- "P" document published prior to the international filing date but later than the priority date claimed

- "T" later document published after the international filing date or priority date and not in conflict with the application but cited to understand the principle or theory underlying the invention
- "X" document of particular relevance; the claimed invention cannot be considered novel or cannot be considered to involve an inventive step when the document is taken alone
- "Y" document of particular relevance; the claimed invention cannot be considered to involve an inventive step when the document is combined with one or more other such documents, such combination being obvious to a person skilled in the art.
- "&" document member of the same patent family

Date of the actual completion of the international search
20 September 2000

Date of mailing of the international search report
10.03.01

Name and mailing address of the ISA
European Patent Office, P.B. 5818 Patentlaan 2
NL - 2280 HV Rijswijk
Tel. (+31-70) 340-2040, Tx. 31 651 epo nl,
Fax: (+31-70) 340-3016

Authorized officer
LOSENICKY

ANHANG

Zum internationalen Recherchenbericht über die internationale Patentanmeldung Nr.

In diesem Anhang sind die Mitglieder der Patentfamilien der im obengenannten internationalen Recherchenbericht angeführten Patentdokumente angegeben. Diese Angaben dienen nur zur Unterrichtung und erfolgen ohne Gewähr.

ANNEX

To the International Search Report to the international Patent Application No.

PCT/US 00/18969 SAE 292422

This annex lists the patent family members relating to the patent documents cited in the above-mentioned search report. The European Patent Office is in no way liable for these particulars which are merely given for the purpose of information.

ANNEXE

Au rapport de recherche international relatif à la demande de brevet international n°

La présente annexe indique les membres de la famille de brevets relatifs aux documents de brevets cités dans le rapport de recherche international visée ci-dessus. Les renseignements fournis sont donnés à titre indicatif et n'engagent pas la responsabilité de l'Office.

Im Recherchenbericht angeführte Patentdokumente Patent document cited in search report Document de brevet cité dans le rapport de recherche	Datum der Veröffentlichung Publication date Date de publication	Mitglied(er) der Patentfamilie Patent family member(s) Membre(s) de la famille de brevets	Datum der Veröffentlichung Publication date Date de publication
US A 5738581	14-04-1998	EP A1 786568	30-07-1997
		AU A1 12309/97	31-07-1997
		AU B2 718162	06-04-2000
		CA AA 2195792	28-07-1997
		NO A0 965270	10-12-1996
		NO A 965270	28-07-1997
		DE C1 19602979	17-04-1997
US A 5603657	18-02-1997	US A 5921863	13-07-1999
EP A2 838561	29-04-1998	DE A1 19643591	23-04-1998
EP A3 838561	27-01-1999		