



(12) **United States Design Patent**
Qu et al.

(10) **Patent No.:** **US D999,853 S**
(45) **Date of Patent:** **** Sep. 26, 2023**

(54) **SLIDE BOARD**

FOREIGN PATENT DOCUMENTS

(71) Applicant: **Zhejiang Feier Intelligent Technology Co., Ltd., Zhejiang (CN)**

EM 009169626-0001 * 9/2022
GB 6230006 * 10/2022

(72) Inventors: **Lanyi Qu, Zhejiang (CN); Xiaolong Lu, Zhejiang (CN)**

OTHER PUBLICATIONS

(73) Assignee: **Zhejiang Feier Intelligent Technology Co., Ltd., Zhejiang (CN)**

American Lifetime, available on amazon.com, date first available Nov. 29, 2016, oldest customer review with photo Jan. 14, 2017, [site visited Dec. 22, 2022], URL: <https://www.amazon.com/American-Lifetime-Slide-Board-Training/dp/B07CN53KDQ> (Year: 2016).*

(**) Term: **15 Years**

(Continued)

(21) Appl. No.: **29/852,893**

Primary Examiner — Dana K Weiland
Assistant Examiner — Emily Anna Saunders

(22) Filed: **Sep. 9, 2022**

(74) *Attorney, Agent, or Firm* — ScienBizIP, P.C.

(51) **LOC (14) Cl.** **21-02**

(57) **CLAIM**

(52) **U.S. Cl.**
USPC **D21/686**

The ornamental design for a slide board, as shown and described.

(58) **Field of Classification Search**

DESCRIPTION

USPC D21/662, 671, 676, 686, 687, 690, 694, D21/695, 801, 803; D6/406.1, 574, D6/582-588, 592, 575-581; D7/500, D7/550.1, 552.1, 552.2, 553.1, 553.2, D7/554.3; D32/55-57; D12/203; D8/353
CPC A63B 2071/027; A47G 27/02; A47G 27/0206; A47G 27/0212; A47G 27/0217; A47G 27/0225; A47G 27/0237; A47G 27/0243; A47G 27/0293; A47G 9/06; A47G 9/062; A47L 23/20; A47L 23/26; A47L 23/266; E04F 19/10

FIG. 1 is a front, right and top perspective view of a slide board, showing our design.
FIG. 2 is a rear, left and bottom perspective view thereof.
FIG. 3 is a front elevation view thereof.
FIG. 4 is a rear elevation view thereof.
FIG. 5 is a left side elevation view thereof.
FIG. 6 is a right side elevation view thereof.
FIG. 7 is a top plan view thereof.
FIG. 8 is a bottom plan view thereof.
FIG. 9 is an enlarged view of the area labeled 9 in FIG. 2; and,
FIG. 10 is an enlarged view of the area labeled 10 in FIG. 2.

See application file for complete search history.

The broken lines shown in the drawings are included for the purpose of illustrating portions of the slide board that form no part of the claimed design. The dot-dash broken lines in FIGS. 2, 9, and 10 depict the boundaries of the enlargements that form no part of the claimed design.

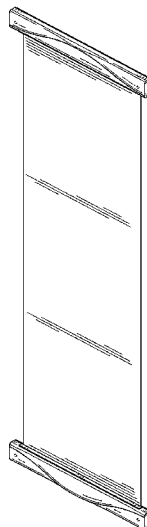
(56) **References Cited**

U.S. PATENT DOCUMENTS

4,779,862 A * 10/1988 Keppler A63B 69/0022 482/51
4,940,226 A * 7/1990 Carra A63B 69/0022 434/253

(Continued)

1 Claim, 10 Drawing Sheets



(56)

References Cited

U.S. PATENT DOCUMENTS

5,114,387 A * 5/1992 Keppler A63B 69/0022
482/148
D330,922 S * 11/1992 Novakoski D21/686
D336,671 S * 6/1993 Novakoski D21/686
D349,139 S * 7/1994 Markland D21/686
D351,876 S * 10/1994 Koblick D21/686
D355,001 S * 1/1995 Koblick D21/686
5,509,870 A * 4/1996 Lloyd A63B 21/4037
482/13
D630,876 S * 1/2011 Olesen D6/575
D633,158 S * 2/2011 Brusckke D21/662
D636,452 S * 4/2011 Majors D21/803
D954,863 S 6/2022 Rice
D958,563 S * 7/2022 Bouroullec D6/575
D961,957 S * 8/2022 Bouroullec D6/575
2003/0104910 A1 * 6/2003 McCoy A47G 27/0418
482/142
2011/0186246 A1 * 8/2011 Lin E06B 9/56
160/309
2012/0010051 A1 * 1/2012 Brusckke A63B 22/20
482/51
2012/0211180 A1 * 8/2012 Lin E06B 9/326
160/368.1
2018/0043205 A1 * 2/2018 Duffly A63B 21/4037

OTHER PUBLICATIONS

SPRI Slide Board, available on amazon.com, date first available Sep. 1, 2018, oldest customer review with photo Dec. 29, 2019, [site visited Dec. 22, 2022], URL: <https://www.amazon.com/dp/B07H1M945D/> (Year: 2018).*

Slide Board, available on amazon.com, date first available Oct. 7, 2022, [site visited Dec. 22, 2022], URL: <https://www.amazon.com/dp/B0BHL15X5G/> (Year: 2022).*

Pro SourceFit, available on prosourcefit.com, oldest customer review Nov. 17, 2018, [site visited Dec. 22, 2022], URL: <https://www.prosourcefit.com/collections/agility-and-performance/products/slide-board> (Year: 2018).*

Slide Board Pro SourceFit, available on walmart.com, oldest customer review Oct. 31, 2018, [site visited Dec. 22, 2022], URL: <https://www.walmart.com/ip/Slide-Board-Pro/800891817> (Year: 2018).*

Balance 1 Slide, available on amazon.com, date first available Jan. 6, 2016, [site visited Dec. 22, 2022], URL: <https://www.amazon.com/Balance-Slide-Board-70-Smooth-Booties/dp/B01A8AX5CG> (Year: 2016).*

H&Yo Sliding Board, available on amazon.co.jp, date first available Mar. 25, 2018, [site visited Dec. 22, 2022], URL: <https://www.amazon.co.jp/-en/Sliding-Versatile-Included-Efficient-Cardio/dp/B07BR3SY9/> (Year: 2018).*

Balance 1, available on amazon.co.jp, date first available May 19, 2020, oldest customer review Jul. 30, 2018, [site visited Dec. 22, 2022], URL: <https://www.amazon.co.jp/-en/Ultra-luxurious-Strengthening-Training-Non-Slip-Integrated/dp/B07BQ2G9X6/> (Year: 2018).*

Inventors', Lanyi Qu and Xiaolong Lu, publication on Douyin.com dated May 9, 2022. Please refer to <https://v.douyin.com/6P7W2mA/>, Declaration, Sales Authorization Certificate, Business License and its translation in English, Proof of Identity of Legal Representative, and Trademark Registration Certificate of "FED" and its translation in English.

Inventors', Lanyi Qu and Xiaolong Lu, publication on Tmall.com dated May 16, 2022. Please refer to <https://detail.tmall.com/item.htm?abbucket=9&iid=674863502099&rn=835916e31fb15694524a496ff320db9b&spm=a1z10.3-b-s.w4011-21628801834.79.39c534390vt5nF>, Declaration, Sales Authorization Certificate, Business License and English translation, Proof of Identity of Legal Representative, and trademark Registration Certificates and English translation.

Inventors', Lanyi Qu and Xiaolong Lu, publication on JD.com dated May 14, 2022. Please refer to <https://item.jd.com/100039612242.html#crumb-wrap>, Declaration, Sales Authorization Certificate, Business License and its translation in English, Proof of Identity of Legal Representative, Trademark Registration Certificate of "Feierdun" and its Renewal Registration Certificate, Trademark Registration Certificate and its Renewal Registration Certificate, and their translation in English.

* cited by examiner

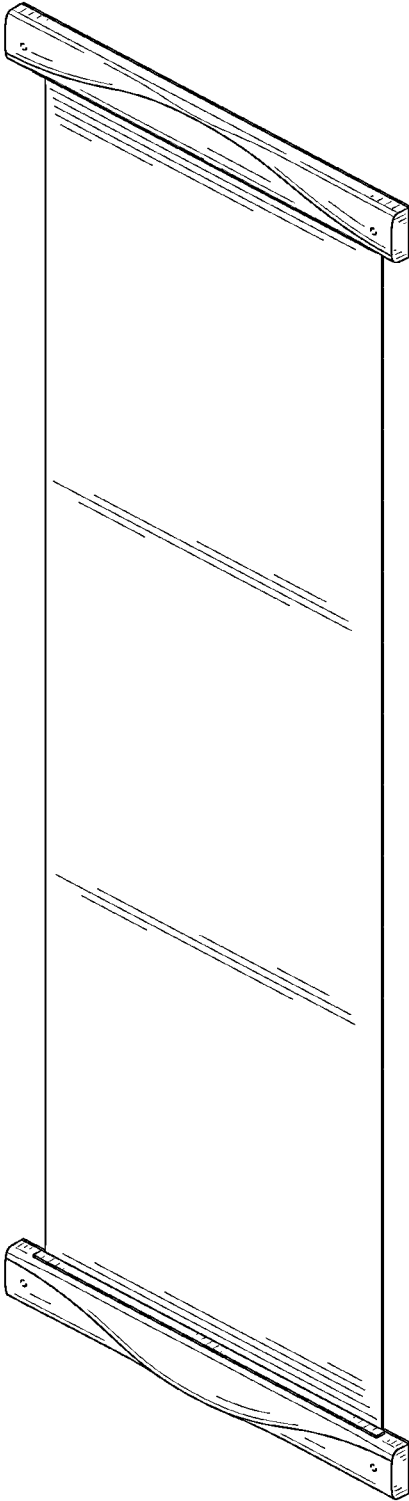


FIG. 1

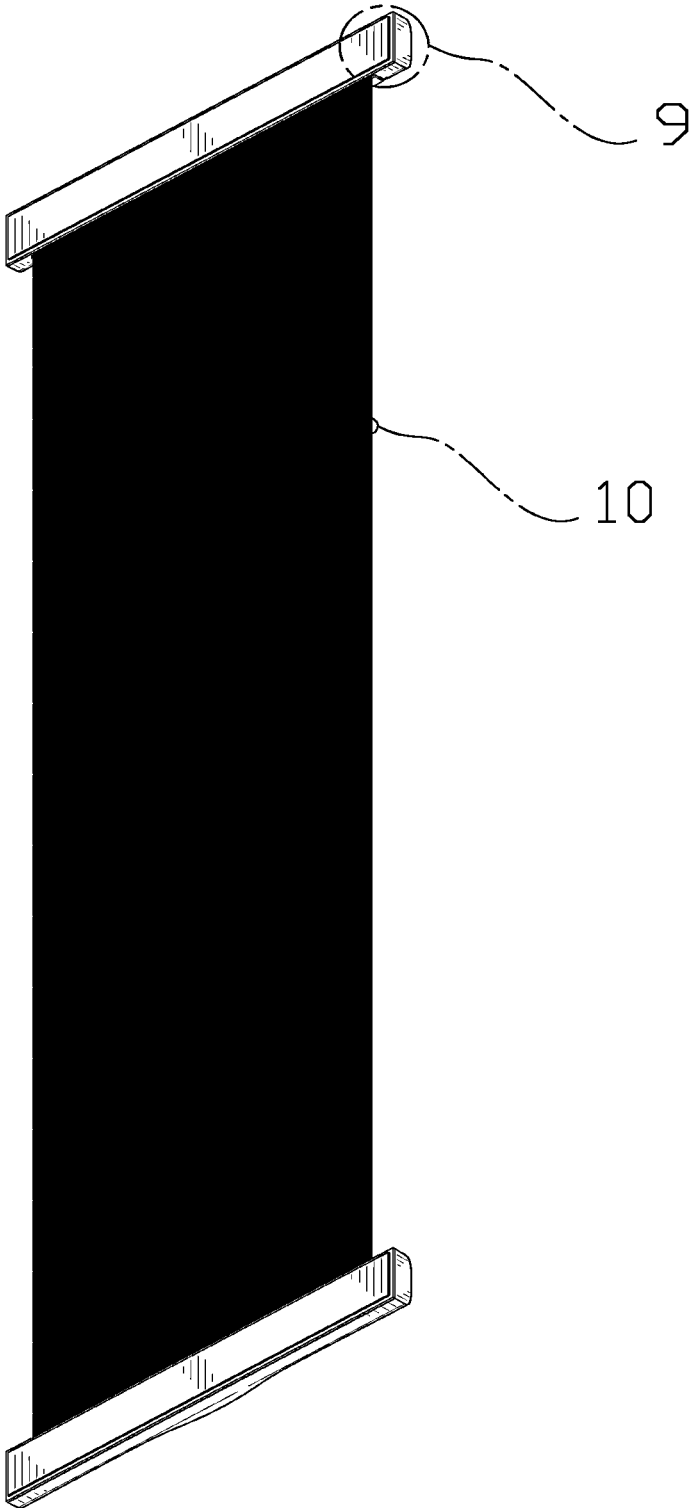


FIG. 2

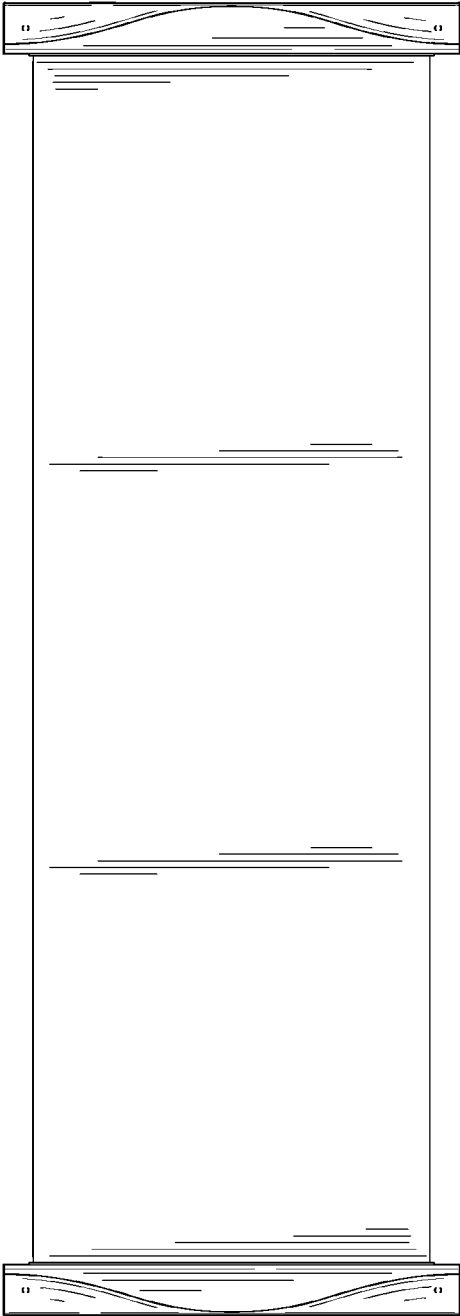


FIG. 3



FIG. 4



FIG. 5



FIG. 6



FIG. 7



FIG. 8

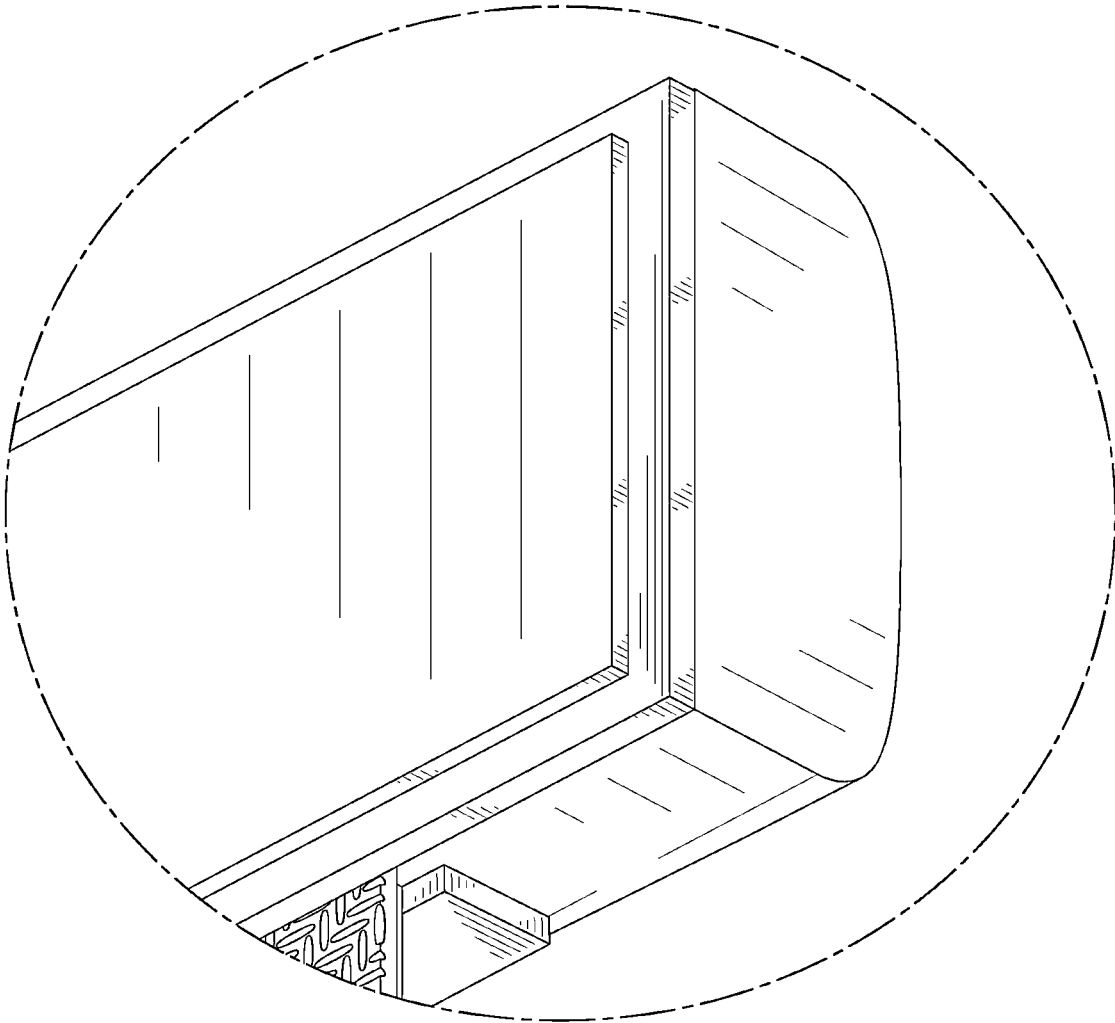


FIG. 9

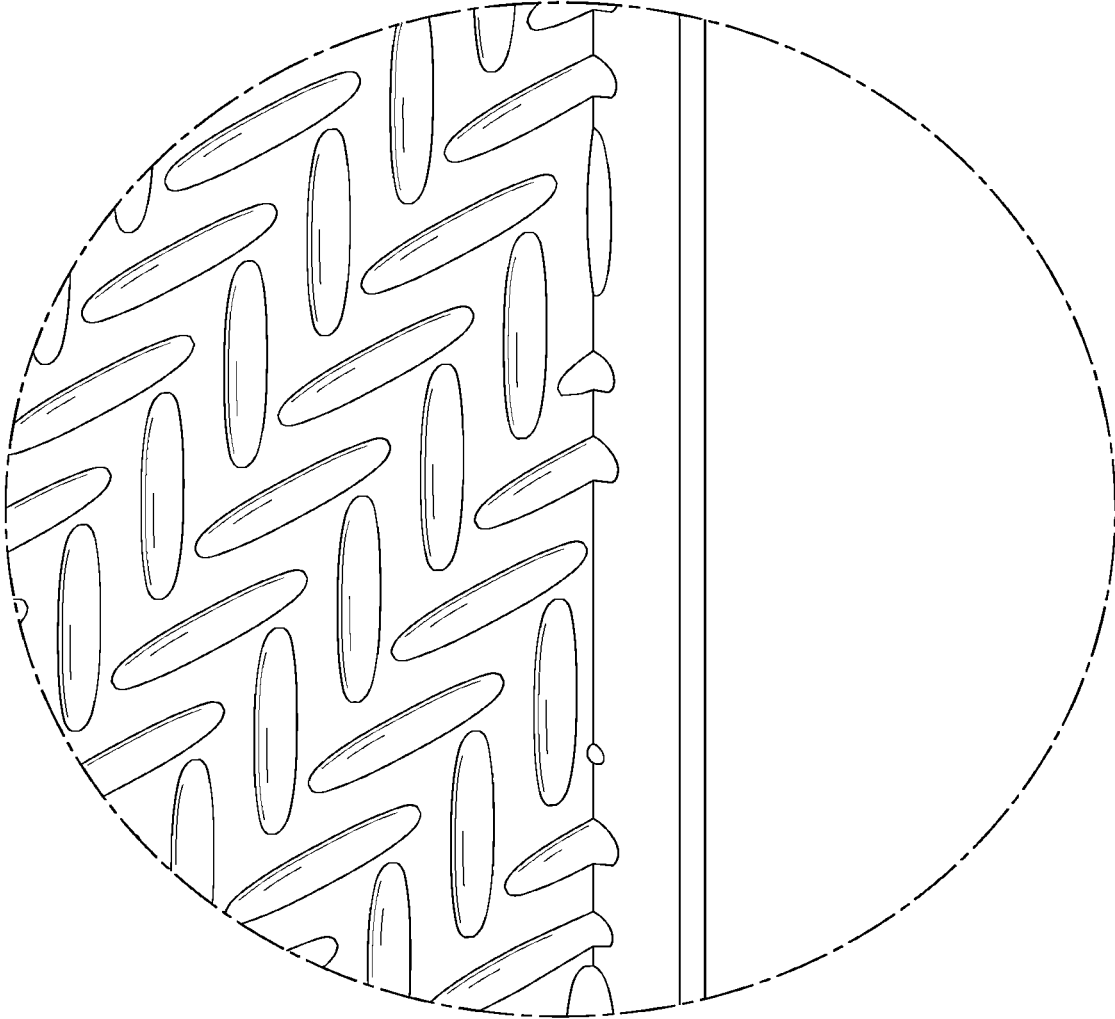


FIG. 10