



US00D487296S

(12) **United States Design Patent** (10) **Patent No.:** **US D487,296 S**
Lister (45) **Date of Patent:** **** Mar. 2, 2004**

(54) **AIMING DEVICE FOR IMPROVING GOLF PUTTING AND CHIPPING**

(76) Inventor: **Roger E. Lister**, 5370 Myrtle Dr., Concord, CA (US) 94521

(**) Term: **14 Years**

(21) Appl. No.: **29/168,757**

(22) Filed: **Oct. 7, 2002**

Related U.S. Application Data

(63) Continuation of application No. 09/862,276, filed on May 21, 2001.

(51) **LOC (7) Cl.** **21-02**

(52) **U.S. Cl.** **D21/791**

(58) **Field of Search** D21/789-791;
473/251, 278, 266, 131, 180-183, 176,
150, 151, 160, 173

(56) **References Cited**

U.S. PATENT DOCUMENTS

1,417,458 A	*	5/1922	Cory	473/189
D385,610 S	*	10/1997	McDonald	D21/790
D400,631 S	*	11/1998	Moore	D21/791
D409,704 S	*	5/1999	Nunes	D21/791
D411,601 S	*	6/1999	Fong	D21/791
D460,798 S	*	7/2002	Tamanaha	D21/791

* cited by examiner

Primary Examiner—Mitchell Siegel
(74) *Attorney, Agent, or Firm*—Adams Law Office; Sharon J. Adams

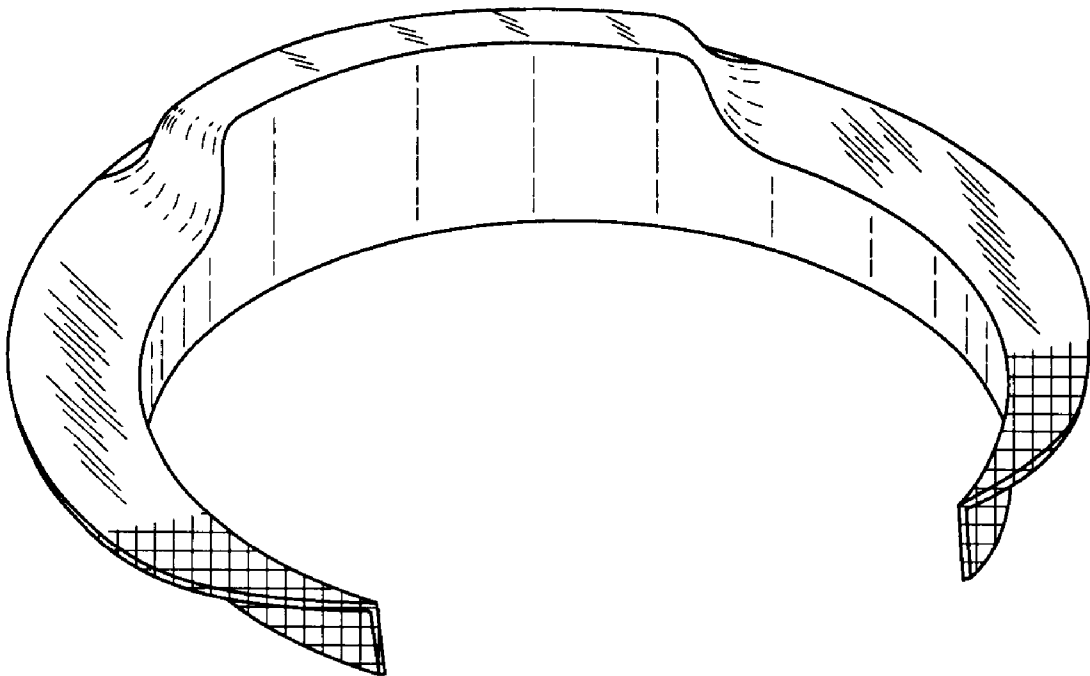
(57) **CLAIM**

The ornamental design for an aiming device for improving golf putting and chipping, as shown and described.

DESCRIPTION

FIG. 1 is a perspective view of my new design for an aiming device for improving golf putting and chipping; FIG. 2 is side elevational view thereof; FIG. 3 is a rear elevational view thereof; FIG. 4 is a front elevational view thereof; FIG. 5 is a top view thereof; FIG. 6 is a bottom view thereof; FIG. 7 is a perspective view of a second embodiment of an aiming device for improving golf putting and chipping as disclosed in FIG. 1, wherein the broken-line golf tee illustrated in this figure is not part of the design sought to be patented, and wherein the cross-hatching indicates color; FIG. 8 is a front elevational view of the aiming device for improving golf putting and chipping of FIG. 7, wherein the cross-hatching indicates color; FIG. 9 is a top view of the aiming device for improving golf putting and chipping of FIG. 7, wherein the cross-hatching indicates color; and, FIG. 10 is a bottom view of the aiming device for improving golf putting and chipping of FIG. 7, wherein the cross-hatching indicates color.

1 Claim, 6 Drawing Sheets



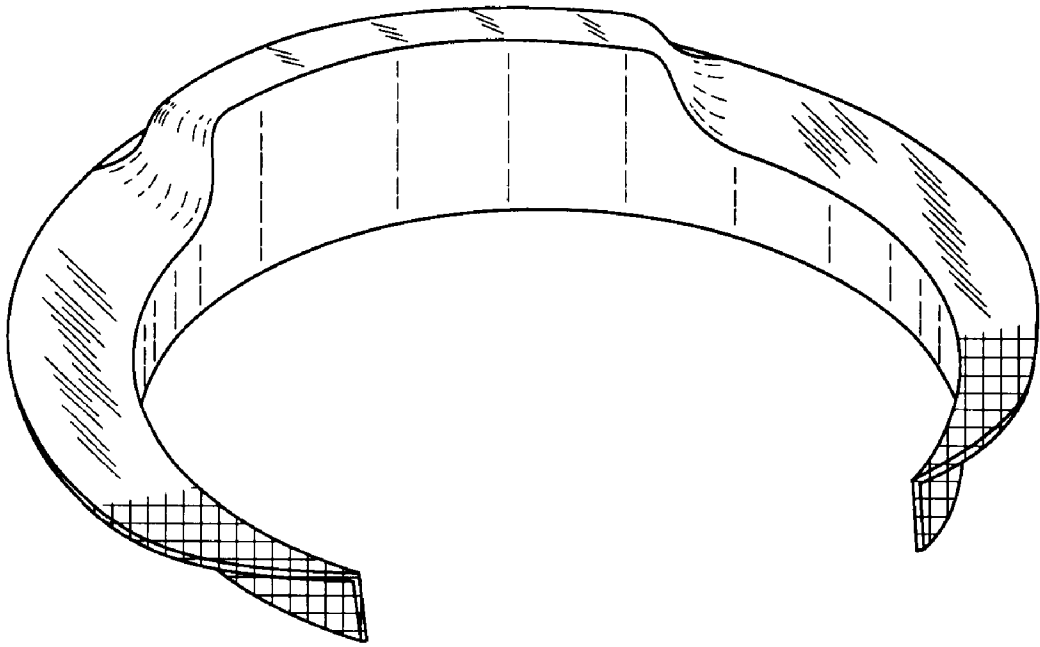


FIG. 1



FIG. 2

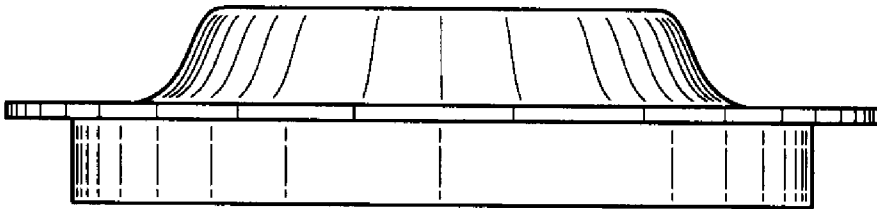


FIG. 3

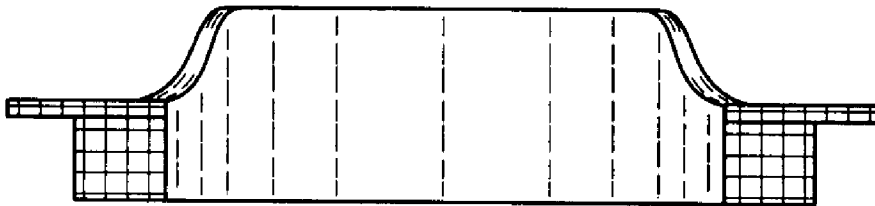


FIG. 4

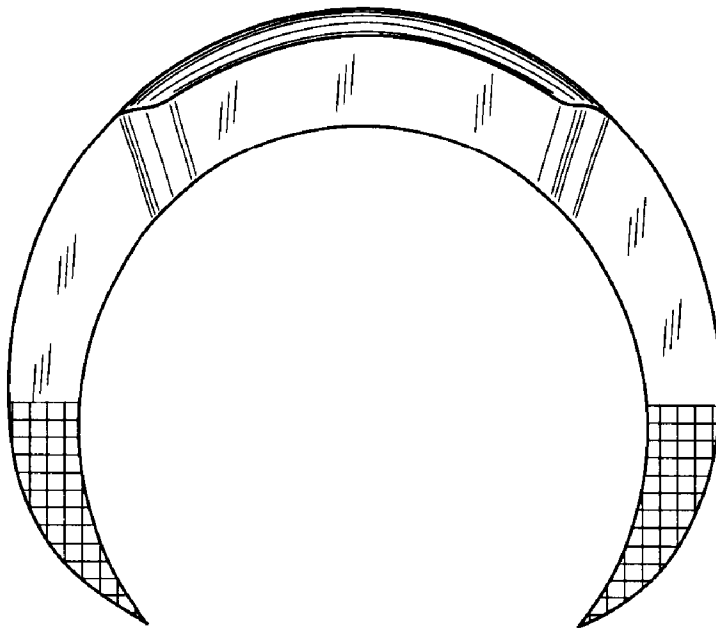


FIG. 5

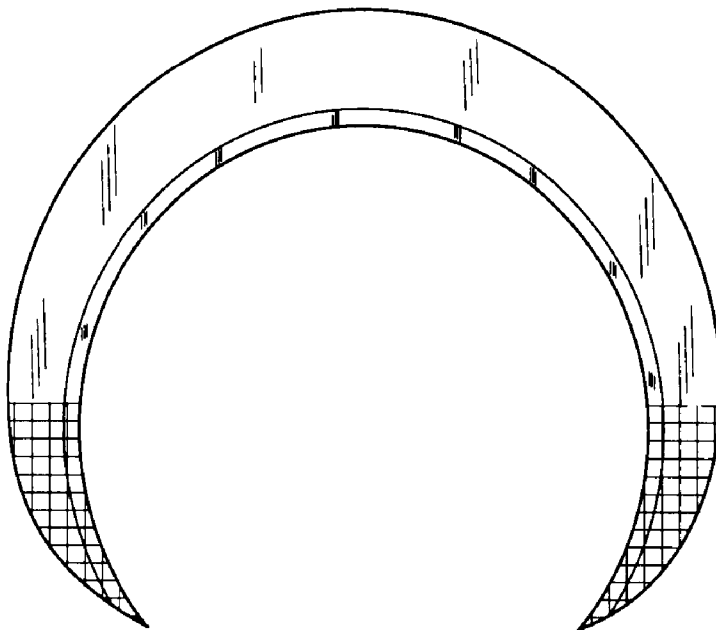


FIG. 6

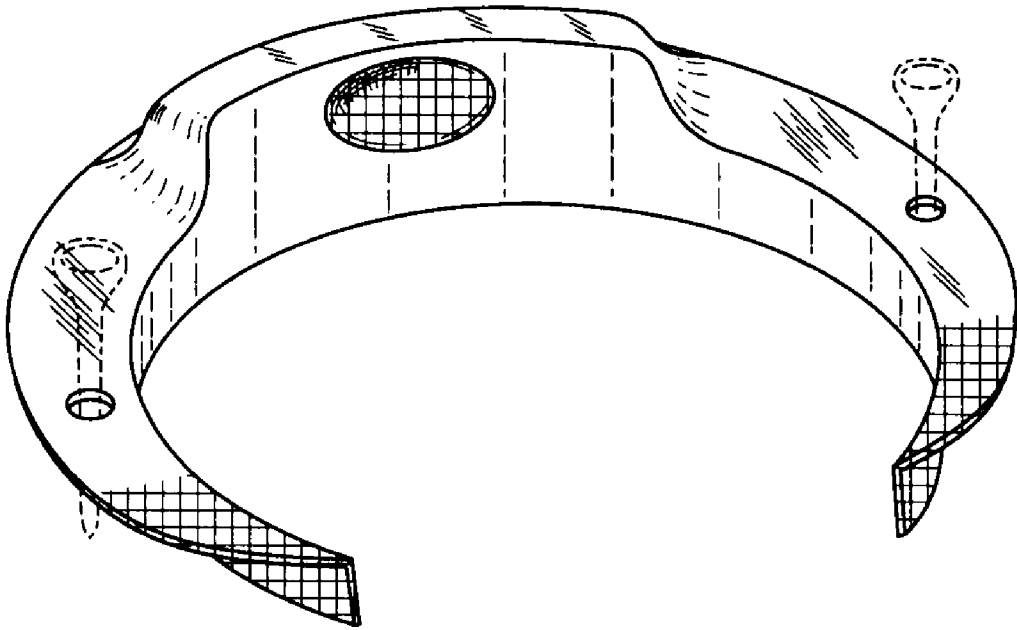


FIG. 7

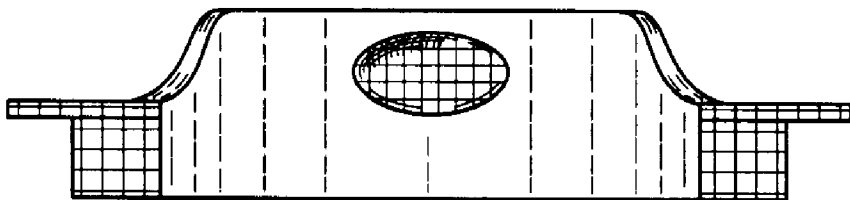


FIG. 8

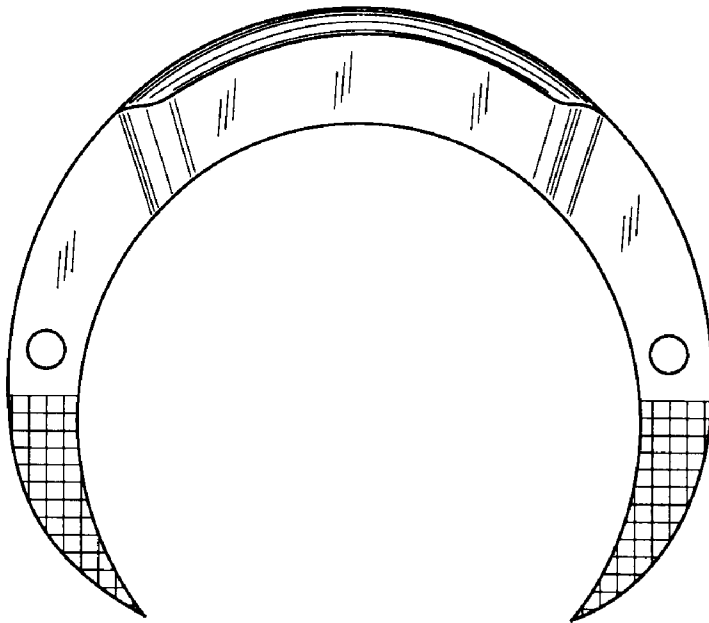


FIG. 9

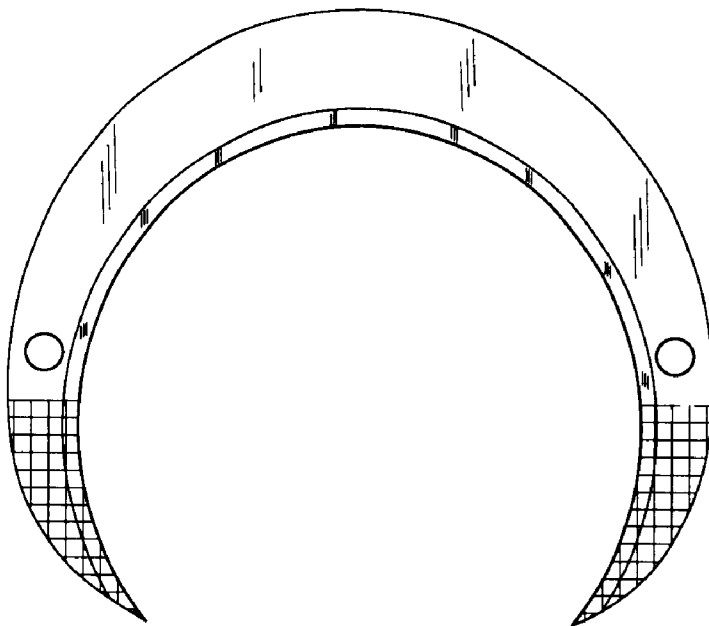


FIG. 10

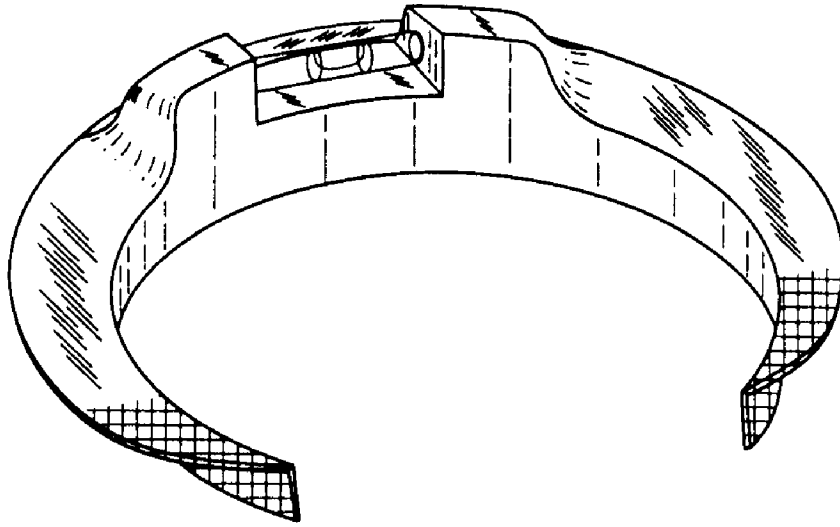


FIG. 11

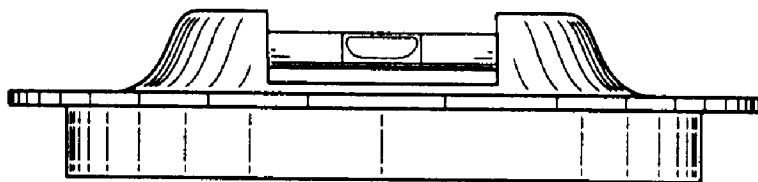


FIG. 12

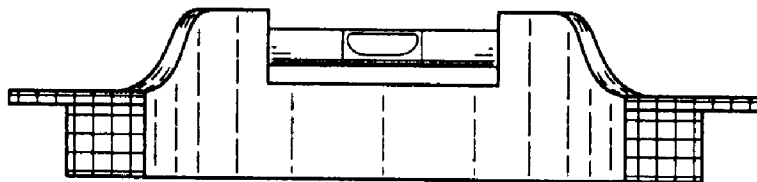


FIG. 13