



US00D719235S

(12) **United States Design Patent**  
**Mikroulis**

(10) **Patent No.:** **US D719,235 S**

(45) **Date of Patent:** **\*\* Dec. 9, 2014**

(54) **UNIVERSAL KALASHNIKOV TYPE BOLT**  
**HOLD OPEN FOLLOWER**

(71) Applicant: **Dimitri Mikroulis**, Idyllwild, CA (US)

(72) Inventor: **Dimitri Mikroulis**, Idyllwild, CA (US)

(\*\*) Term: **14 Years**

(21) Appl. No.: **29/462,959**

(22) Filed: **Aug. 10, 2013**

(51) **LOC (10) Cl.** ..... **22-01**

(52) **U.S. Cl.**

USPC ..... **D22/108**

(58) **Field of Classification Search**

CPC ..... F41A 9/61; F41A 9/62; F41A 9/63;  
F41A 9/64; F41A 9/65; F41A 9/68; F41A  
9/69; F41A 9/73; F41A 9/74; F41A 9/75;  
F41A 9/79; F41A 9/86

USPC ..... D22/103, 108; D21/572-573;  
124/66-67, 74; 42/51, 71.01, 75.01,  
42/75.02, 90, 94; 362/110; 89/40.06,  
89/37.04, 33.04, 191.01

See application file for complete search history.

(56) **References Cited**

**U.S. PATENT DOCUMENTS**

3,676,946	A *	7/1972	Sibilia	.....	42/50
D244,285	S *	5/1977	Sofinowski	.....	D22/108
4,069,608	A	1/1978	Jurek		
4,139,959	A *	2/1979	Howard et al.	.....	42/50
4,888,900	A	12/1989	Howard		
6,606,811	B1	8/2003	Olson		
7,261,029	B1	8/2007	Davis		
7,621,063	B2 *	11/2009	Fitzpatrick et al.	.....	42/50
D615,143	S *	5/2010	Fitzpatrick et al.	.....	D22/108

7,730,654	B2 *	6/2010	Kim	.....	42/1.02
8,006,423	B1 *	8/2011	Alzamora et al.	.....	42/49.01
8,166,692	B2 *	5/2012	Fitzpatrick et al.	.....	42/50
2005/0000138	A1	1/2005	Kiss		
2009/0107022	A1 *	4/2009	Fitzpatrick et al.	.....	42/50
2010/0126053	A1 *	5/2010	Fitzpatrick et al.	.....	42/50
2011/0167694	A1 *	7/2011	Bigley et al.	.....	42/50
2013/0014416	A1	1/2013	Sisgold		
2014/0075810	A1 *	3/2014	Mikroulis	.....	42/50

**FOREIGN PATENT DOCUMENTS**

WO WO 99/05467 2/1999

\* cited by examiner

*Primary Examiner* — Michael A Pratt

(74) *Attorney, Agent, or Firm* — The Compton Law Firm, P.C.; Scott D. Compton

(57) **CLAIM**

The ornamental design for a universal Kalashnikov type bolt hold open follower, as shown and described.

**DESCRIPTION**

FIG. 1 is a front perspective view of a follower showing my new design;

FIG. 2 is a front elevation view of the same;

FIG. 3 is a back elevation view of the same;

FIG. 4 is a right side view of the same;

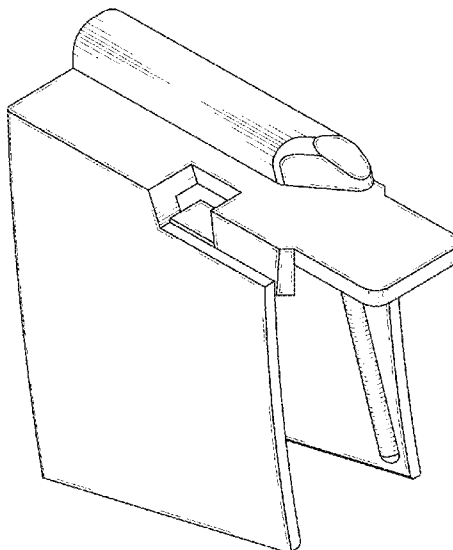
FIG. 5 is a left side view of the same;

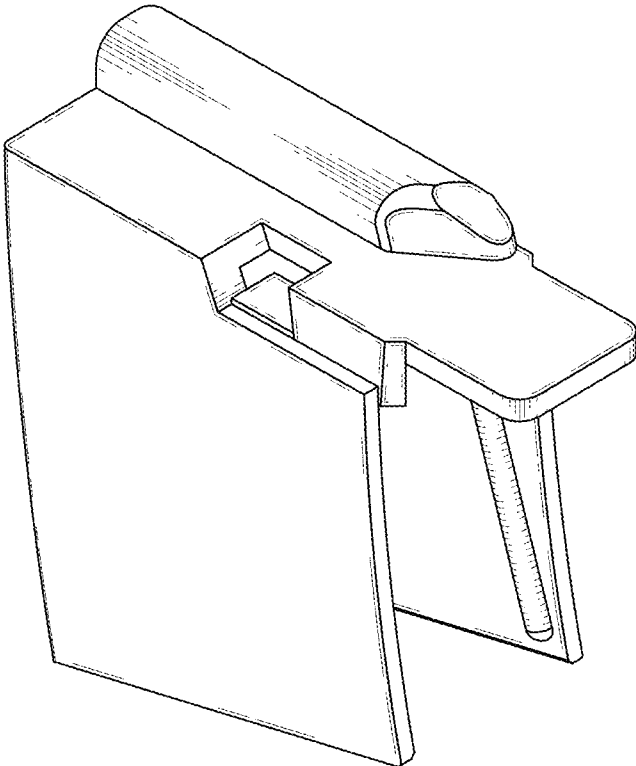
FIG. 6 is a top view of the same;

FIG. 7 is a bottom view of the same; and,

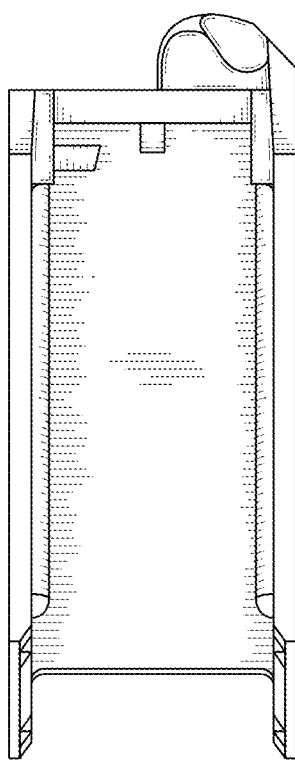
FIG. 8 is a right side view of the same wherein the broken lines of the Kalashnikov type firearm magazine is shown for environmental purposes only and forms no part of the claimed design, the term "Kalashnikov" being understood by persons of ordinary skill in the art of firearms.

**1 Claim, 5 Drawing Sheets**

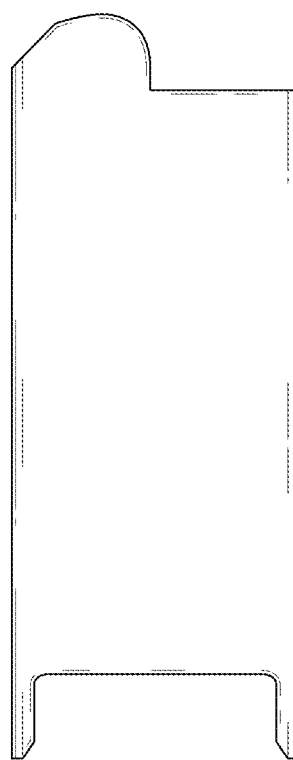




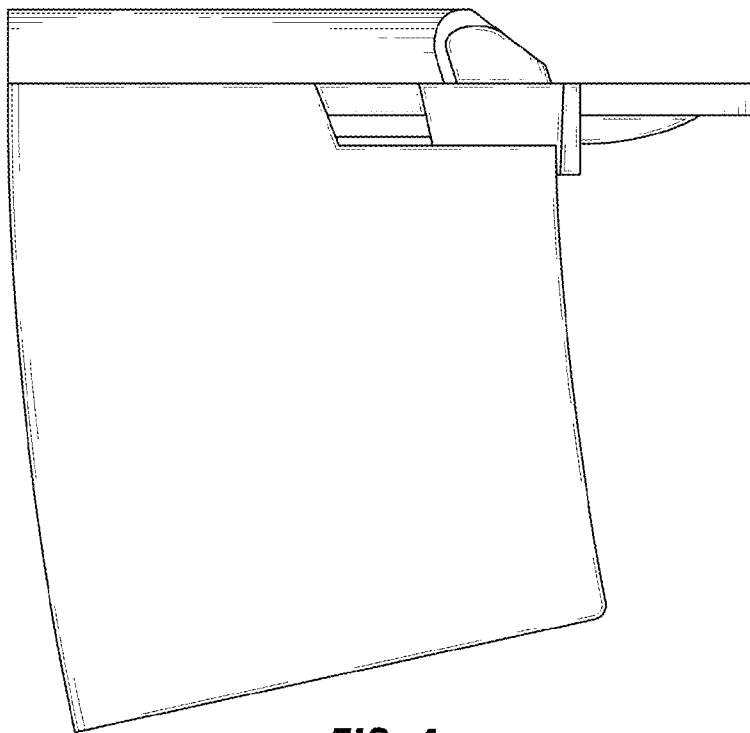
**FIG. 1**



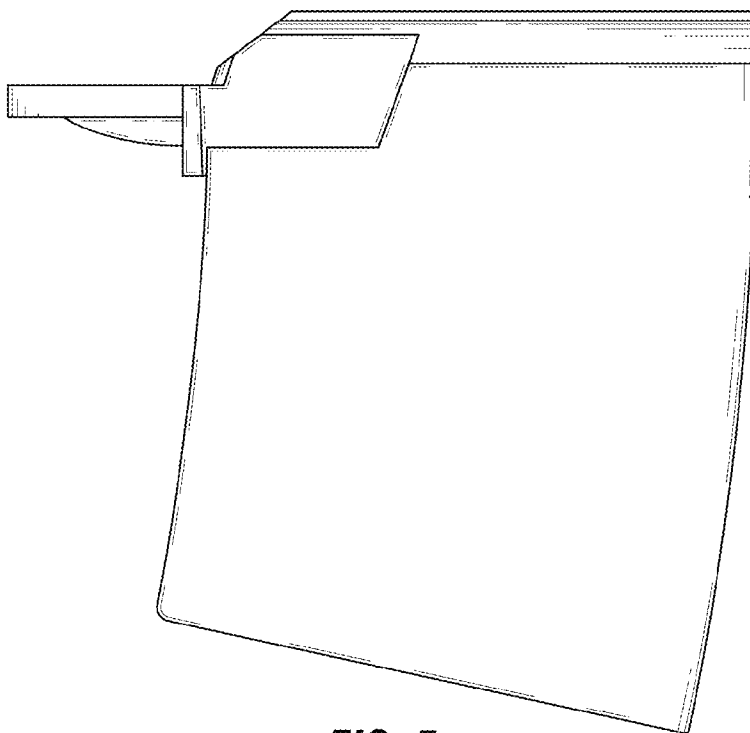
**FIG. 2**



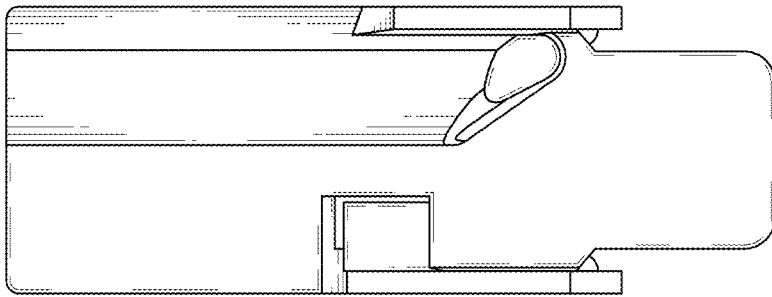
**FIG. 3**



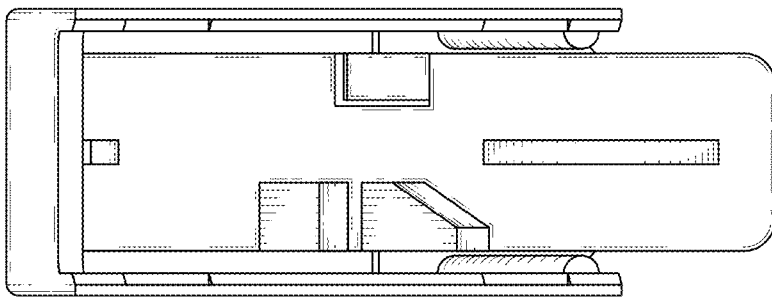
**FIG. 4**



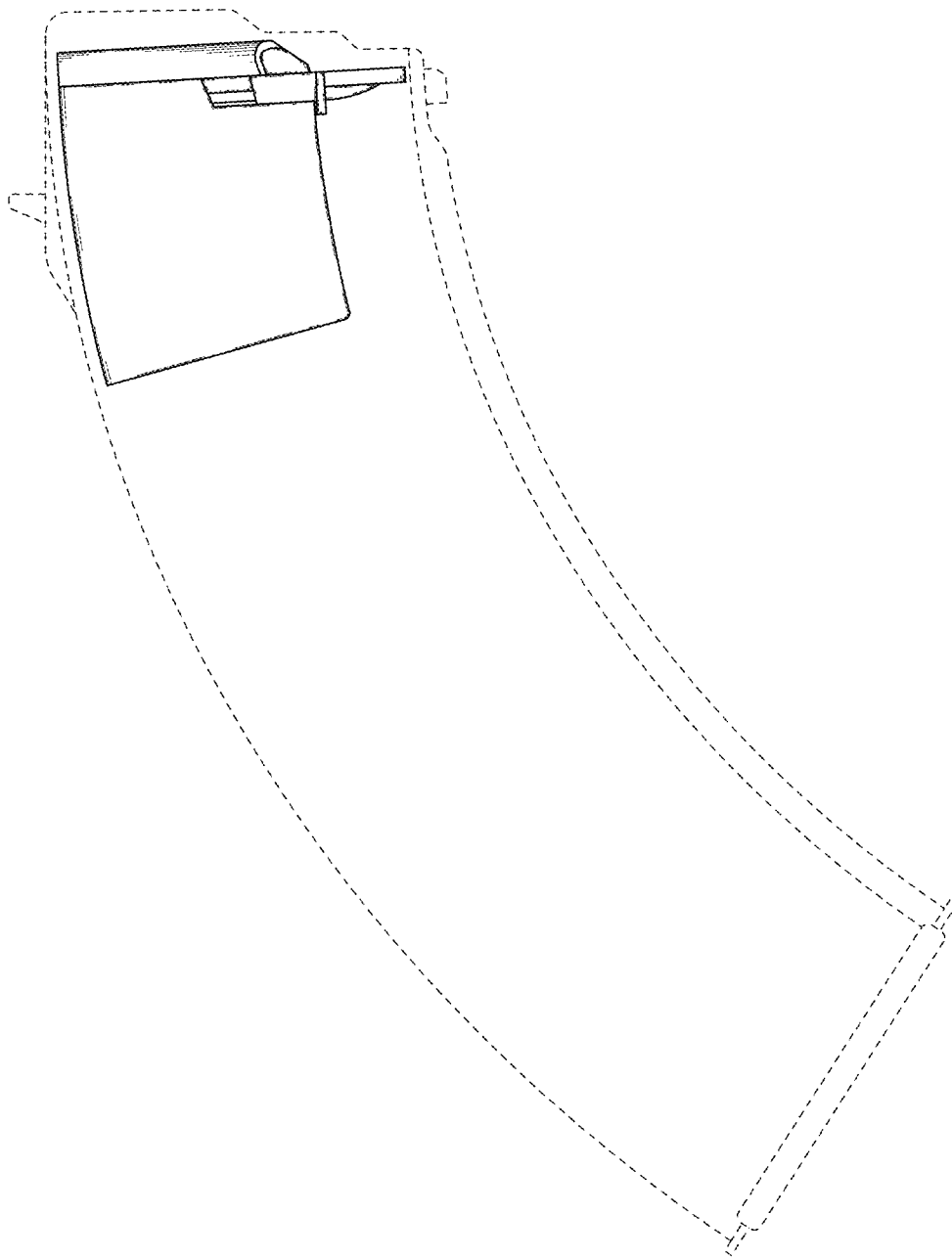
**FIG. 5**



**FIG. 6**



**FIG. 7**



**FIG. 8**