



(22) Date de dépôt/Filing Date: 1997/11/13

(41) Mise à la disp. pub./Open to Public Insp.: 1999/05/13

(45) Date de délivrance/Issue Date: 2001/09/04

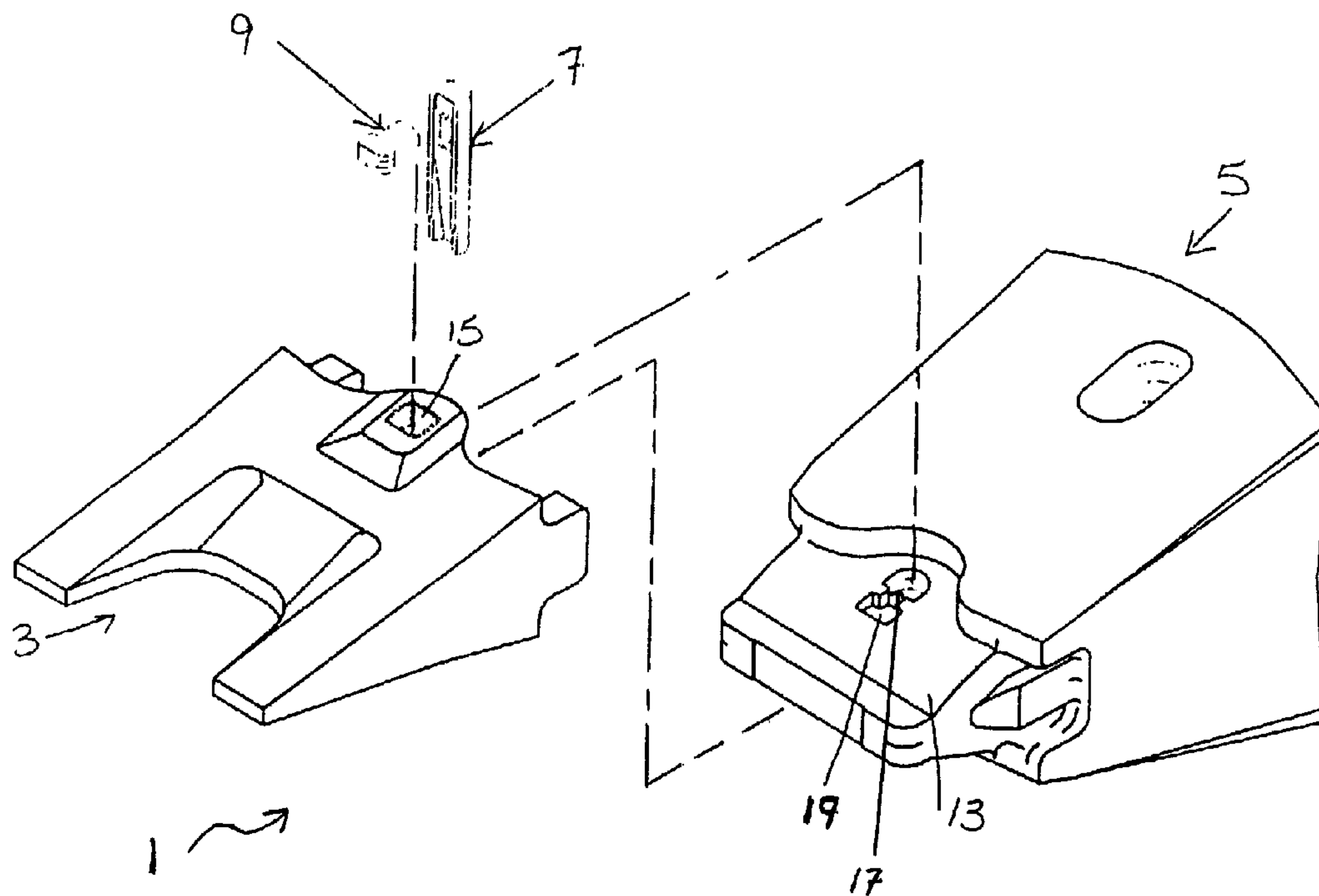
(51) Cl.Int.⁶/Int.Cl.⁶ E02F 9/28, E02F 3/36

(72) Inventeur/Inventor:
ADAMIC, Dwight, CA

(73) Propriétaire/Owner:
QUALITY STEEL FOUNDRIES LTD., CA

(74) Agent: BORDEN LADNER GERVAIS LLP

(54) Titre : DISPOSITIF DE COUPLAGE POUR VERROUILLER UNE DENT DE CREUSAGE SUR UN ADAPTATEUR
(54) Title: COUPLING DEVICE FOR LOCKING AN EXCAVATION TOOTH ONTO AN ADAPTOR



(57) Abrégé/Abstract:

The present invention is a coupling device for locking an excavation tooth onto an adaptor. The adaptor and tooth have a passage extending therethrough. The device includes a pin and retainer. The pin is shaped in such a manner as to improve its resiliency and its ability to be disengaged from the retainer to remove the tooth from the adaptor. The retainer is inserted into the adaptor. The pin includes a retainer seat for engaging the retainer. The retainer seat has a front wall perpendicular to the longitudinal axis of the passage and a back wall which slopes away from the front wall. As the pin is inserted into the passage, the retainer engages the pin until it enters the seat. The front wall then prevents the pin from being retracted from the passage. To remove the pin, force is applied to the driven end of the pin. The pin will continue through the passage while the retainer slides along the sloped back wall of the retainer seat. This arrangement allows for the easy insertion and removal of the pin with a relatively small amount of force.

ABSTRACT

The present invention is a coupling device for locking an excavation tooth onto an adaptor. The adaptor and tooth have a passage extending therethrough. The device includes a pin and retainer. The pin is shaped in such a manner as to improve its resiliency and its ability to be disengaged from the retainer to remove the tooth from the adaptor. The retainer is inserted into the adaptor. The pin includes a retainer seat for engaging the retainer. The retainer seat has a front wall perpendicular to the longitudinal axis of the passage and a back wall which slopes away from the front wall. As the pin is inserted into the passage, the retainer engages the pin until it enters the seat. The front wall then prevents the pin from being retracted from the passage. To remove the pin, force is applied to the driven end of the pin. The pin will continue through the passage while the retainer slides along the sloped back wall of the retainer seat. This arrangement allows for the easy insertion and removal of the pin with a relatively small amount of force.

**COUPLING DEVICE FOR LOCKING AN
EXCAVATION TOOTH ONTO AN ADAPTOR**

FIELD OF THE INVENTION

5 The present invention relates to the field of excavating teeth and in particular to assemblies for attaching a ground engaging tooth to an adaptor on an excavating tool.

10 **BACKGROUND OF THE INVENTION**

 At approximately the turn of the 20th century, excavating tools employed excavating teeth with replaceable ground engaging tips known as points. The points were connected to an adaptor attached to the shovel dipper,
15 drag-line bucket or similar tool. An example is disclosed in U.S. Patent No. 564,664. As the two part assembly became established practice, a number of methods evolved for joining the point to the adaptor. Depending on the conditions, a given adaptor would be re-equipped with 5 to
20 30 teeth or points to maintain a sharp penetrating edge during excavation. The ease of replacement of the point became important because it minimized the amount of wasted throw-away metal and also minimized the down time of the tool.

25 The assemblies used to attach a point to the adaptor consisted mainly of two designs, the wedge design and the pin design. In the wedge design, the point is joined to the adaptor by wedges hammered in place. One disadvantage of this method is the wedges would often become dislodged
30 during use of the excavating tool. This design posed serious safety hazards to workers. To prevent this danger, the wedges were often tack-welded in place. However, removal of the wedges was then difficult and time consuming. Another disadvantage of this method is that the
35 removal of the wedge required the drag-line bucket to be turned up on its front end in order to gain access to the wedge.

U.S. Patent No. 3,256,622 describes a wedge pin assembly used to fasten a point to the adaptor. The wedge pin is received into an open-ended bore. The wedge pin is removed by being hammered through the slot with a specially designed hammer having a head size smaller than the bore size. The wedge pin is designed to cause interference in the bore but still be removable. One disadvantage of this arrangement is the tendency of the wedge to shatter or break during removal causing pieces to jam as well as endangering workers.

Another pin assembly is disclosed in Canadian Patent Application No. 2,121,993. This patent discloses a threaded pin and insert assembly to secure a point onto the adaptor. A threaded insert is placed into the adaptor pin opening. The point is then placed over the adaptor. A lock washer is concentrically placed over the pin opening on the point. The pin is screwed into the insert. Disadvantages of this assembly include the loosening of the pin from the insert while the point-adaptor assembly is in use, the cumbersome and relatively complex design, and the longer point replacement time as compared with more conventional teeth.

U.S. Patent No. 3,410,010 describes a dipper tooth having a detent and key assembly inserted into a passage in the tooth and adaptor. A resilient retaining member is received into the adaptor. The member has a recess on its lower edge for receiving a metallic insert. The resilient retaining member and insert extend into a passage extending through the adaptor and point. A key having a notch in its upper surface is inserted into the passage. As the key enters the passage, its front end engages a recess in the lower surface of the passage to allow the key to travel past the insert. The key forces the insert upward, compressing the resilient member, until the insert engages the key notch. This arrangement has the disadvantage that when the tooth and adaptor are in use, the key may be repeatedly jolted upward against the insert. This movement

may compress the resilient member allowing the insert to disengage the notch on the key. In this manner, the key may fall out of the passage allowing the tooth to come off the adaptor and possibly causing injury to nearby workers. Further, the resilient member has a limited life and, as it loses its resilience, it will not be able to adequately maintain the insert in the key notch.

Locking devices are designed to minimize the down time of the equipment and increase the life of the point and adaptor. With the increase in awareness of worker safety, another important requirement of the point-adaptor assembly is safe and easy installation. The prior art devices do not satisfy these requirements and there therefore is a need for a locking device which is easy, safe, and fast to install and remove.

SUMMARY OF THE INVENTION

It is therefore an object of the present invention to overcome the disadvantages of the prior art. It is a further object to provide an effective device for coupling an excavation tooth to an adaptor on an excavation tool which is easy to insert and remove and reliably retains the tooth on the adaptor during use.

There, therefore, is provided an apparatus for removably coupling an excavation tooth to an adaptor, wherein the excavation tooth and adaptor respectively have first and second passages which are co-extensive and form a common passage when the tooth is operatively coupled to the adaptor, the apparatus comprising: a pin insertable into the common passage and movable between a first position where said pin is partially inserted into the common passage to a second position where the pin is fully inserted into the common passage to a third position where the pin is at least partially removed from the common passage; locking means in the adaptor for retaining said pin in said second position and having at least a portion projecting into the common passage from the adaptor; said

pin adapted to be flexible for insertion into the common
passage around said projecting portion of said locking
means; said pin provided with lock receiving means for
receiving at least a portion of said locking means, said
5 lock receiving means adapted to prevent said pin from
moving from said second position to said first position and
with retaining means cooperating with said locking means
for preventing said pin from moving from said second to
said third position during use of the tooth while
10 uncooperating with said locking means when said pin is
forced to said third position by the application of
external force.

BRIEF DESCRIPTION OF THE DRAWINGS

15 Preferred embodiments of the present invention will
now be described and may be better understood when read in
conjunction with the following drawings in which:

Figure 1 is an exploded view of the elements of one
embodiment of the present coupling device.

20 Figure 2 is a perspective view of the retainer of the
device shown in Figure 1.

Figure 3 is a perspective view of the pin of the
device shown in Figure 1.

25 Figure 4 is a longitudinal cross-section through the
pin shown in Figure 3 illustrating the profile of the
retainer engaging surface.

Figure 5 is a transverse cross-section through the pin
shown in Figure 3 taken along line 5-5.

30 Figure 6 is a plan view of one end of the pin shown in
Figure 3.

Figure 7 is a cross-sectional view of the tooth and
adaptor assembled using the coupling device shown in Figure
1.

35 Figure 8 is a schematic diagram of the method of using
the coupling device shown in Figure 1 to attach a tooth and
adaptor.

DETAILED DESCRIPTION OF THE INVENTION

With reference to the Figures, there is provided a coupling device 1 for locking an excavation tooth onto an adaptor on an excavation tool. The device 1 comprises a pin 7 and a retainer 9. The pin 7 and retainer 9, inserted into the adaptor 5 and tooth 3, interact to releasably lock the tooth 3 onto the adaptor 5. The pin 7 can be inserted and removed without difficulty for replacing the tooth 3 as needed.

Looking at Figures 1 and 7, the excavation tooth 3 is positioned over the forward end of the adaptor 5 in a manner known in the art. A recess in the tooth defined by walls 11 fits over the forward end 13 of the adaptor 5. The tooth 3 has a through going passage extending between openings 15 in opposing surfaces of the tooth. Preferably, the openings 15 are positioned near the rearward edge of the tooth to allow for maximum wear of the tooth before replacement is necessary. The adaptor 5 is provided with a passage 17 extending through its width. When the tooth 3 is properly positioned on the adaptor 5, the passages in the tooth 3 and the adaptor 5 are coextensive.

The coupling device 1 includes a pin 7 for engaging the retainer 9 to maintain the tooth 3 on the adaptor 5. The pin 7 shown in detail in Figures 3-6 has a general elongated shape. Its main section tapers along its longitudinal axis to one end 21. It has a semi-circular transverse cross-section corresponding to the cross section of the passage 17 in the adaptor thereby reducing or eliminating rotation of the pin 7 in the passage 17. It has a sufficient length to extend between the opposing openings 15 in the tooth 3 to engage the tooth wall when it is fully inserted into the passage 17. The pin 7 may be of any suitable size and shape providing the passage 17 has a corresponding size and shape to allow the pin 7 to be inserted therein and preferably to prevent rotation of the pin 7 in the adaptor passage 17. The main section of the pin 7 is narrow at its insertion end 21 and gradually

widens out at the driven end 23 to a width slightly less than the width of the passage 17 to form a tapered shape. The pin includes side edges 25 around its main tapered section, as shown in Figure 3, for providing for a tight fit in the passage 17 and openings 15 and preventing rotation of the pin 7 as well as providing a channel along the upper surface of the pin 7. On the lower surface 27 of the pin 7 as shown in Figures 4 and 7, the middle portion of the pin 7 is indented to form a slight recess 29 extending for approximately one third of the length of the pin 7. This recess 29, along the tapered main section, allows the pin 7 to be somewhat flexible as it is driven into the passage 17. On the upper surface of the pin 7 near its driven end 23, there is a retainer seat 31 shown more clearly in Figures 3, 4, and 6. It consists of a recess cut into the upper surface of the pin 7 and has a straight front wall 33 positioned approximately perpendicular to the longitudinal axis of the passage 17. The bottom wall 35 is flat lying along the longitudinal axis of the passage 17 and the rear wall forms a sloping ramp 37, extending from the back edge of the bottom wall 35 of the seat 31 towards the driven end 23 of the pin 7. Along the sloping ramp 37, the side walls 25 taper outwardly to provide a wider channel therebetween.

A retainer 9 is provided for maintaining the pin 7 in position in the passage 17 during use of the tooth 3 and adaptor 5. The retainer 9 consists of an Ω -shaped block as shown in Figure 2. A portion of the outer wall 41 of the retainer 9 slopes at an angle corresponding to the angle of the inner wall 11 of the tooth 3. The lower portion 42 of the outer wall 41 of the retainer 9 projects away from the outer wall 41 and meets the bottom wall of the retainer 9 to form a generally rounded corner.

The adaptor 5 has a recess 19 located along its outer wall 13 at the upper edge of the passage 17. The recess 19 shown in Figures 1, 7 and 8 has a general Ω -shaped cross-section. This shape allows the retainer 9 to be inserted

into the recess 19 and retained in position while the tooth 3 is positioned over the upper end of the adaptor 5 and during insertion of the pin 7. The recess 19 also allows a portion of the retainer 9 to extend into the passage 19.

5 Alternative configurations may be used for receiving and retaining the retainer. Further, the adaptor may include a projection extending from its surface into the passage to act in a manner similar to the retainer. The projection may be an integral part of the adaptor rather than a separate
10 piece as is shown in the preferred embodiment in the Figures.

The present invention is also directed to a method of releasably locking a tooth onto an adaptor as is shown in Figure 8. The pin 7 is inserted into the passage 17 by
15 placing the insertion end 21 of the pin 7 into the passage opening 15 near the retainer 9. Force is applied to the driven end 23 of the pin 7 to drive the pin 7 into the passage 17 into a fully inserted position shown in Figures 7 and 8. The configuration and arrangement of the retainer
20 and pin requires that a relatively small amount of force need be used as compared to conventional devices, for example, a two to three pound hammer is sufficient to generate adequate force to drive the pin in the present invention into place. As the pin 7 travels through the
25 passage 17, the retainer 9 will engage the sloped, upper surface of the pin 7 between the side walls 25 until it reaches the retainer seat 31. Once the retainer 9 enters the retainer seat 31, the front wall 33 of the seat 31 prevents the retainer 9 from moving back down the sloped,
30 upper surface of the pin 7, restricting the pin 7 to unidirectional movement through the passage 17. The pin 7 can not then be retracted from the passage 17. Further, contact between the retainer 9 and the side walls 25 of the retainer seat 31 further prevents movement of the pin 7 in
35 the passage 17. At this point, the pin 7 is fully inserted in the passage 17 engaging both the tooth 3 and the adaptor 5, thereby locking the tooth 3 in place.

The pin 7 may be removed from the passage 17 by using a removing tool 45 and hammer 47 as shown in Figure 8. A removing tool 45 such as a tool having a handle at one end and, at a right angle to the axis of the handle, a
5 projecting member of a diameter and size less than that of the passage is placed on the driven end 23 of the pin 7. A hammer 47 is used on the outer end of the projecting member of the removing tool 45 to drive the member against the pin 7 and into the passage 17. This force causes the retainer 9
10 to disengage the retainer seat 31. As the pin 7 is driven through the passage 17, the retainer moves along the sloping ramp 37 at the back of the retainer seat 31. The side walls 25 of the pin 7 taper outward reducing contact with the retainer 9 allowing unobstructed movement of the
15 pin. The pin 7 may then be removed from the passage 17.

The above-described embodiments of the present invention are meant to be illustrative of preferred
embodiments of the present invention and are not intended to limit the scope of the present invention. Various
20 modifications, which would be readily apparent to one skilled in the art, are intended to be within the scope of the present invention. The only limitations to the scope of the present invention are set out in the following appended claims.

CLAIMS

1. Apparatus for removably coupling an excavation tooth to an adaptor, wherein the excavation tooth and adaptor respectively have first and second passages which are co-extensive and form a common passage when the tooth is operatively coupled to the adaptor, the apparatus comprising:

a pin insertable into the common passage and movable between a first position where said pin is partially inserted into the common passage to a second position where the pin is fully inserted into the common passage to a third position where the pin is at least partially removed from the common passage;

locking means in the adaptor for retaining said pin in said second position and having at least a portion projecting into the common passage from the adaptor;

said pin adapted to be flexible for insertion into the common passage around said projecting portion of said locking means; said pin provided with lock receiving means for receiving at least a portion of said locking means, said lock receiving means adapted to prevent said pin from moving from said second position to said first position and with retaining means cooperating with said locking means for preventing said pin from moving from said second to said third position during use of the tooth while uncooperating with said locking means when said pin is forced to said third position by the application of external force.

2. Apparatus according to claim 1 wherein said locking means comprises a locking tab extending from the adaptor into the passage.

3. Apparatus according to claim 2 wherein said locking tab is receivable in said adaptor.

4. Apparatus according to any of claims 1, 2 or 3 wherein said lock receiving means comprises a recess in said pin.

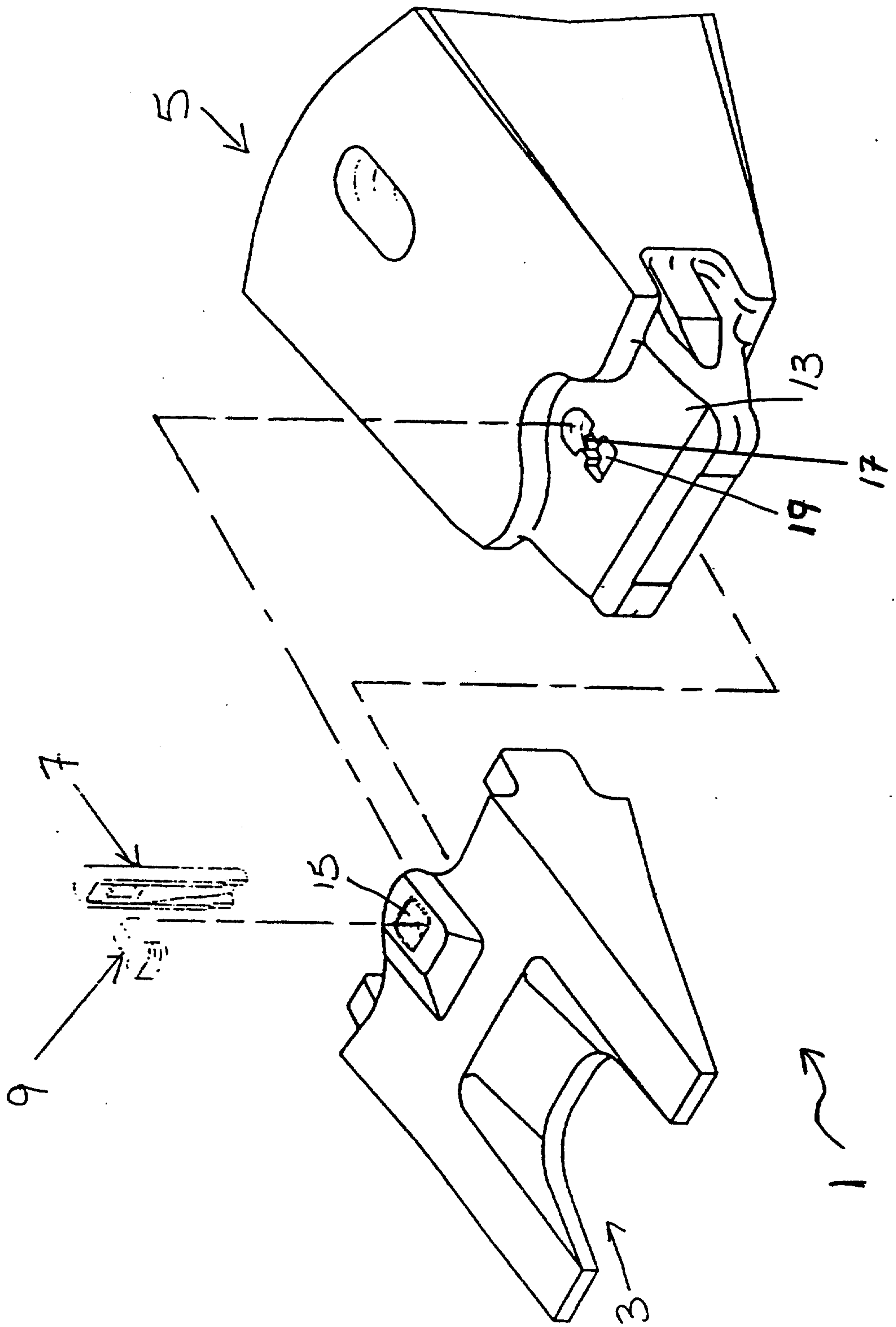
5. Apparatus according to claim 4 wherein said lock receiving means includes a front wall being positioned substantially perpendicular to the longitudinal axis of the common passage when said pin is in said second position.

6. Apparatus according to claim 5 wherein said lock receiving means includes a back wall sloping away from said front wall.

7. Apparatus according to any one of claims 2 to 5 wherein said pin comprises an elongated pin having a main section and side walls, said pin tapering in its main section to a first end and having a second end with said lock receiving means.

8. Apparatus according to any one of claims 1 to 7 wherein said pin and the common passage have a corresponding shape adapted to allow said pin to be fully inserted into the passage in only one orientation.

FIG. 1



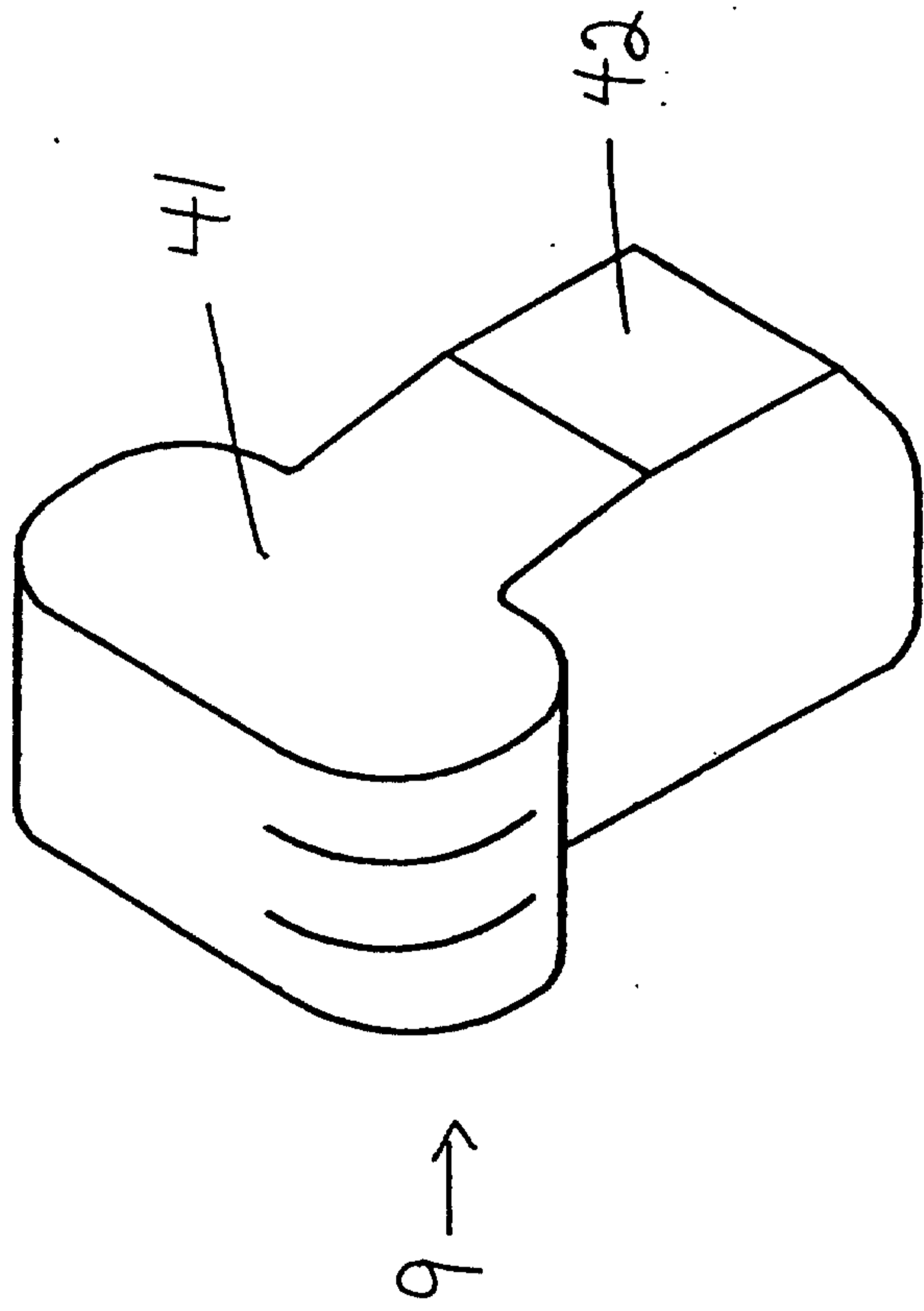


FIG. 2

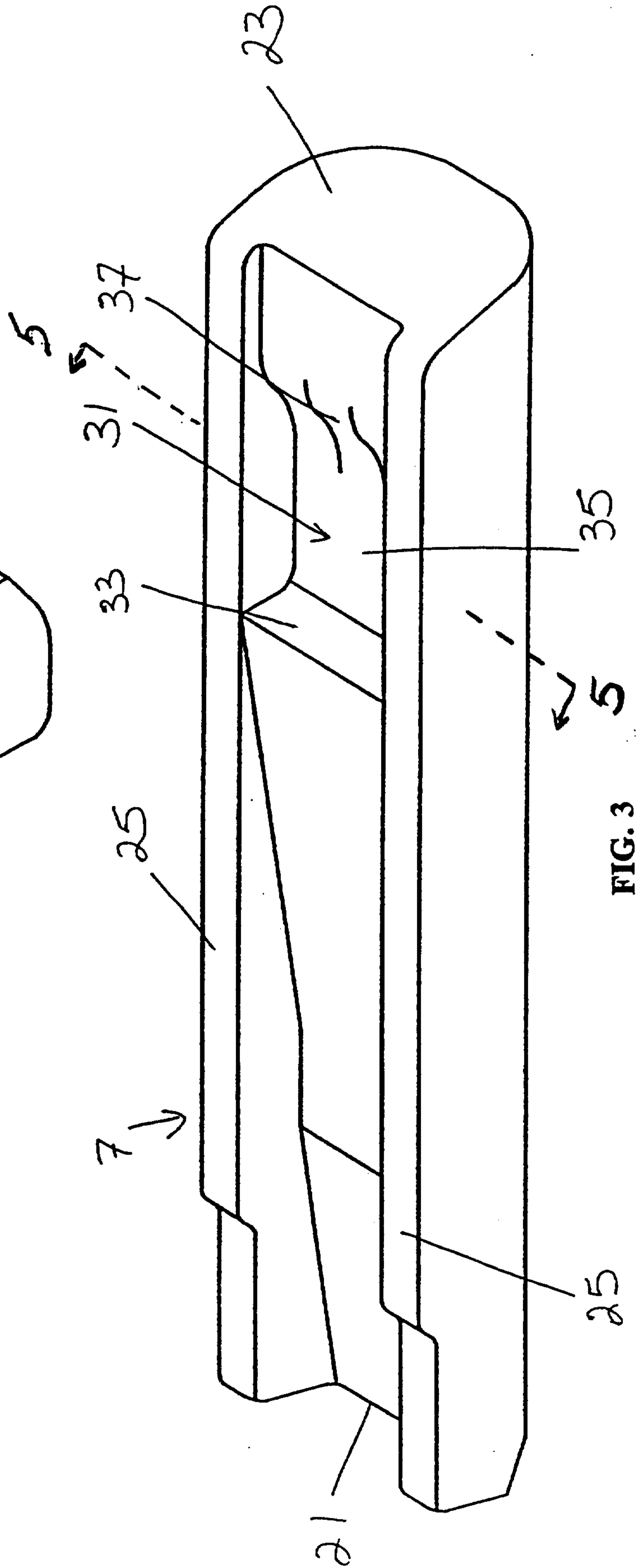
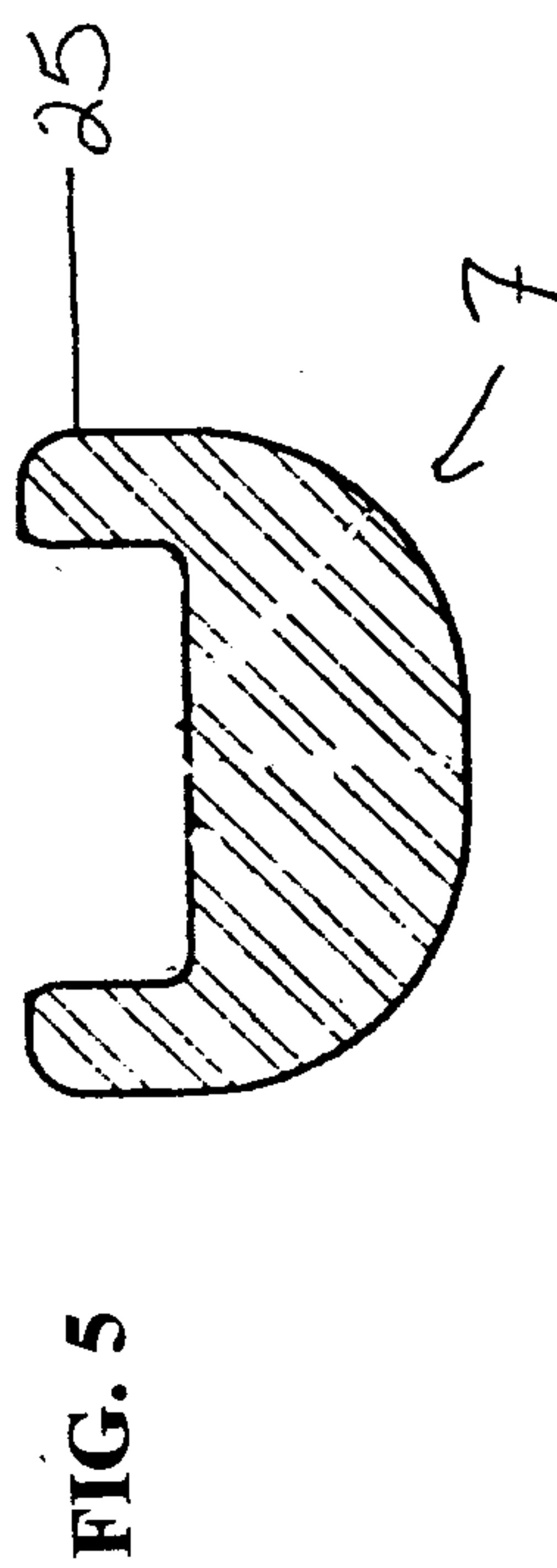
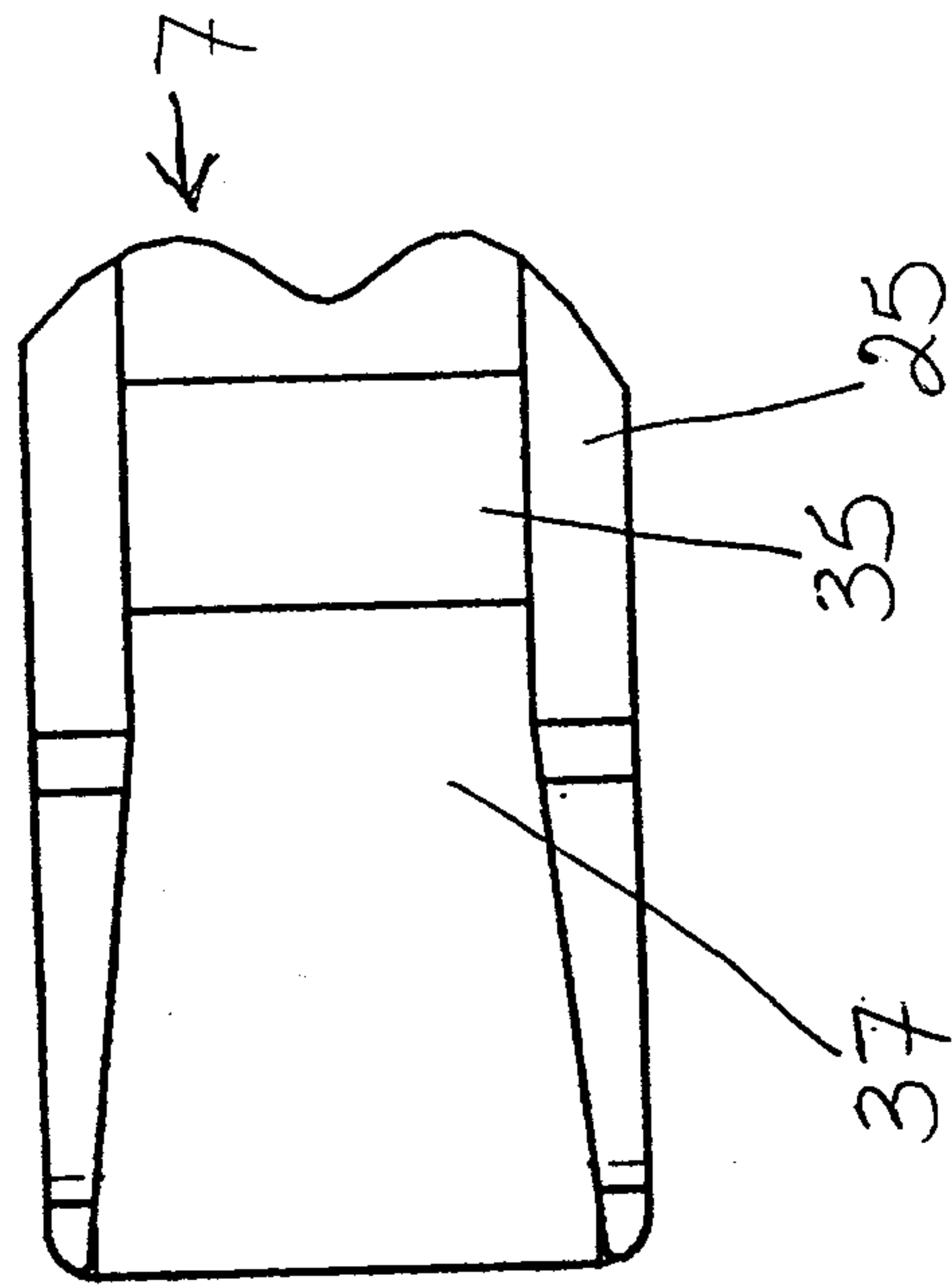
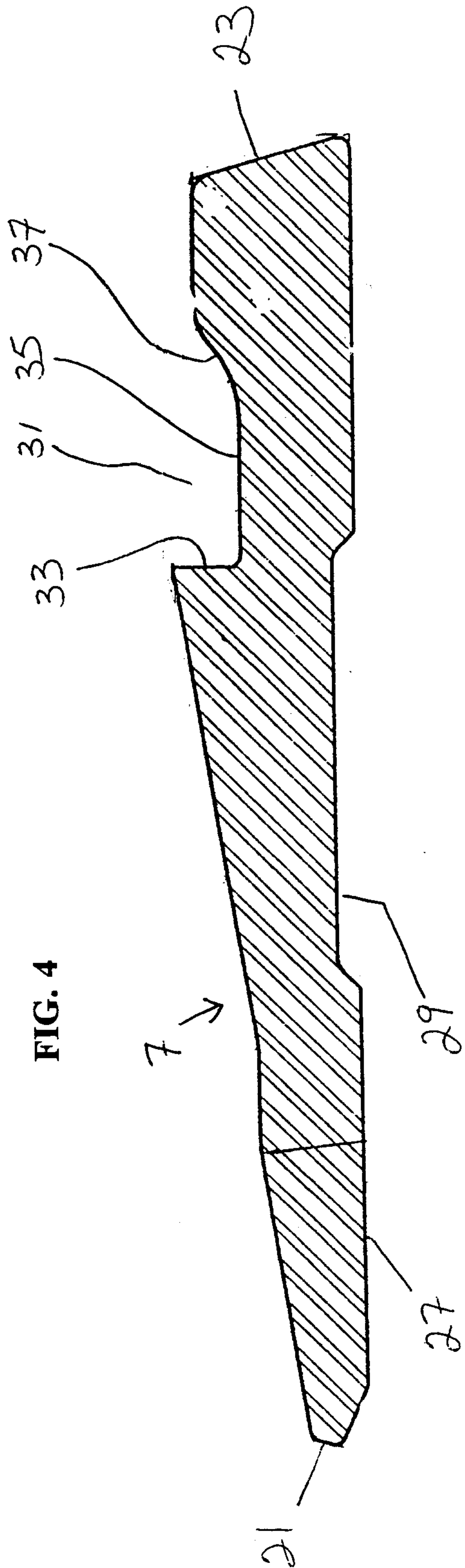


FIG. 3



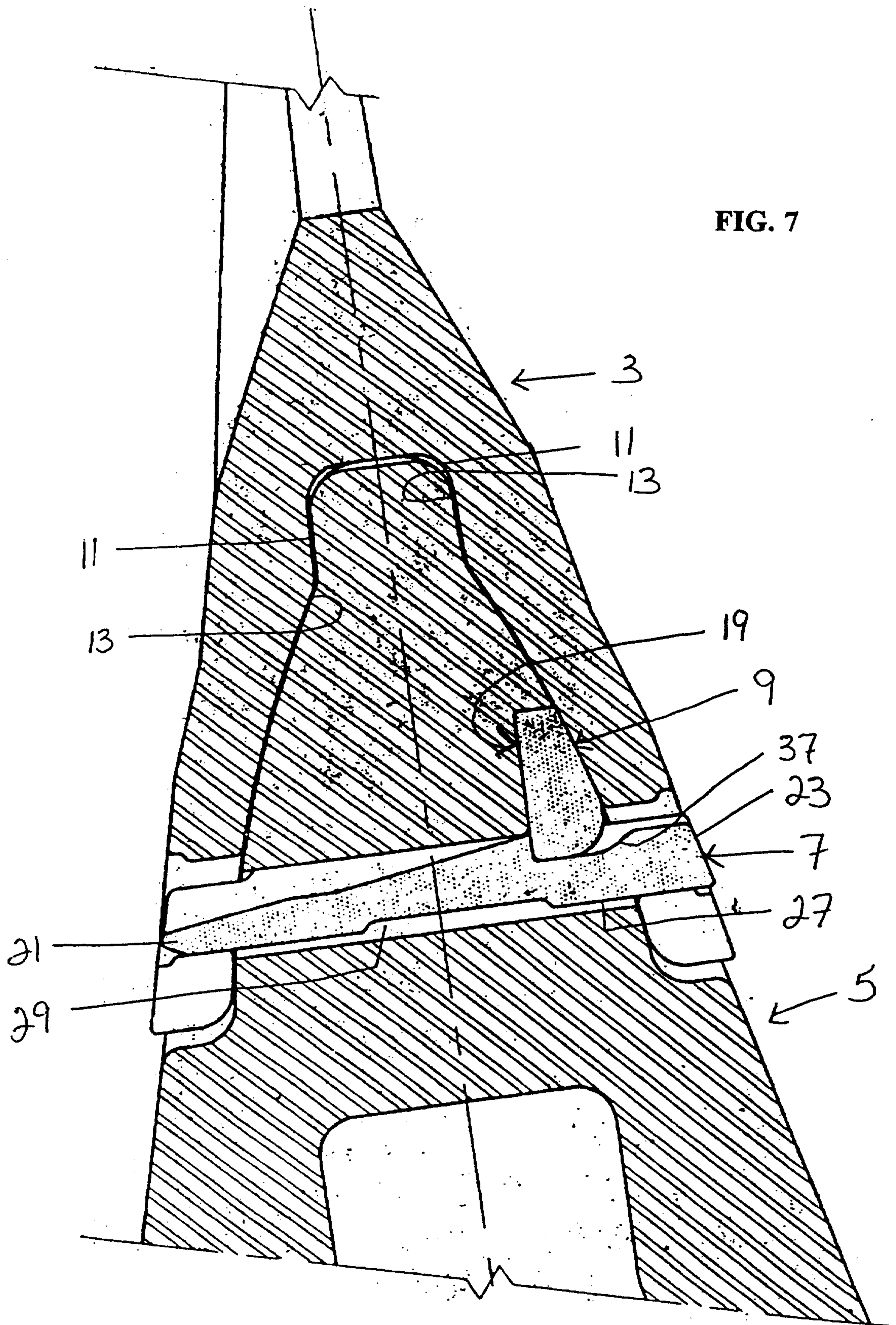
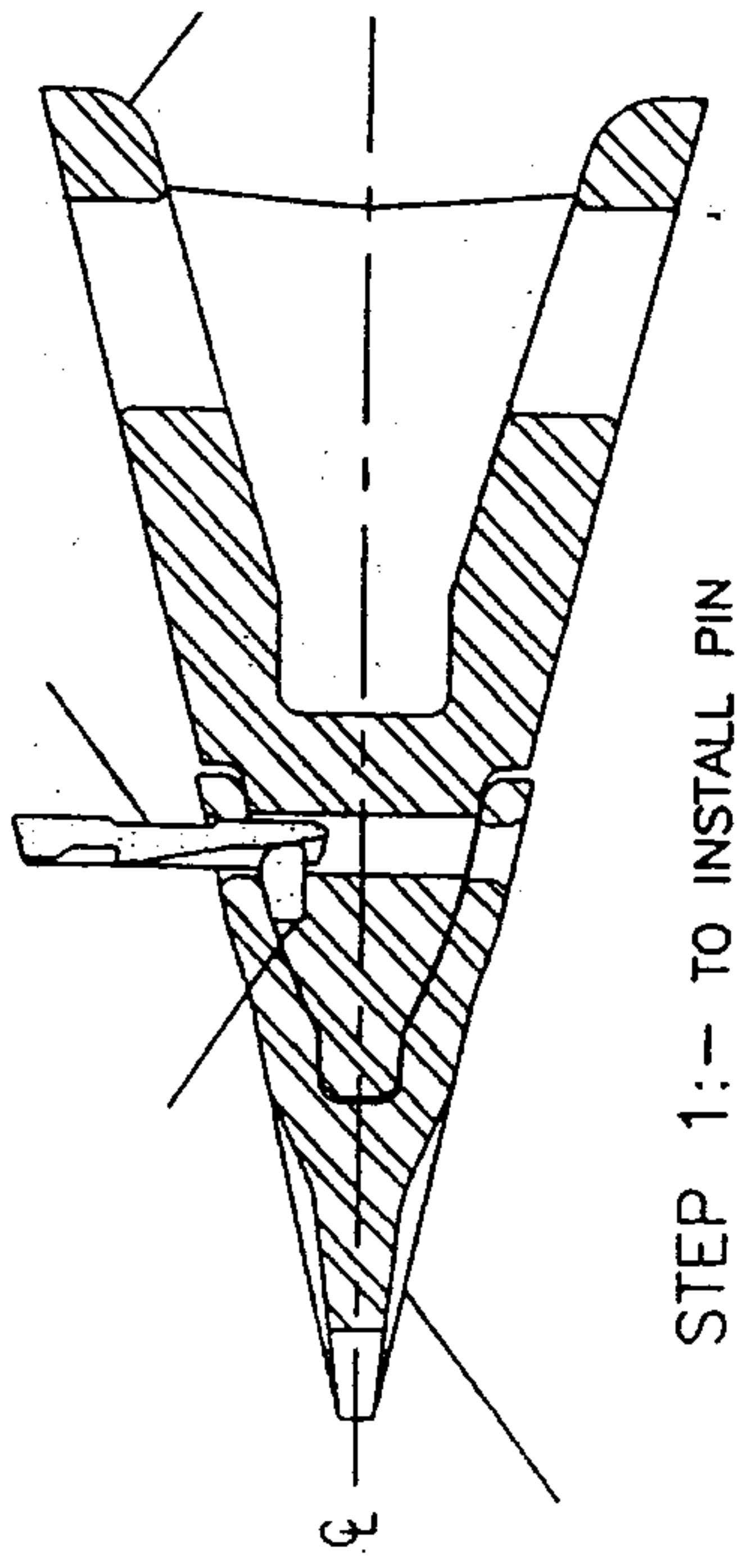
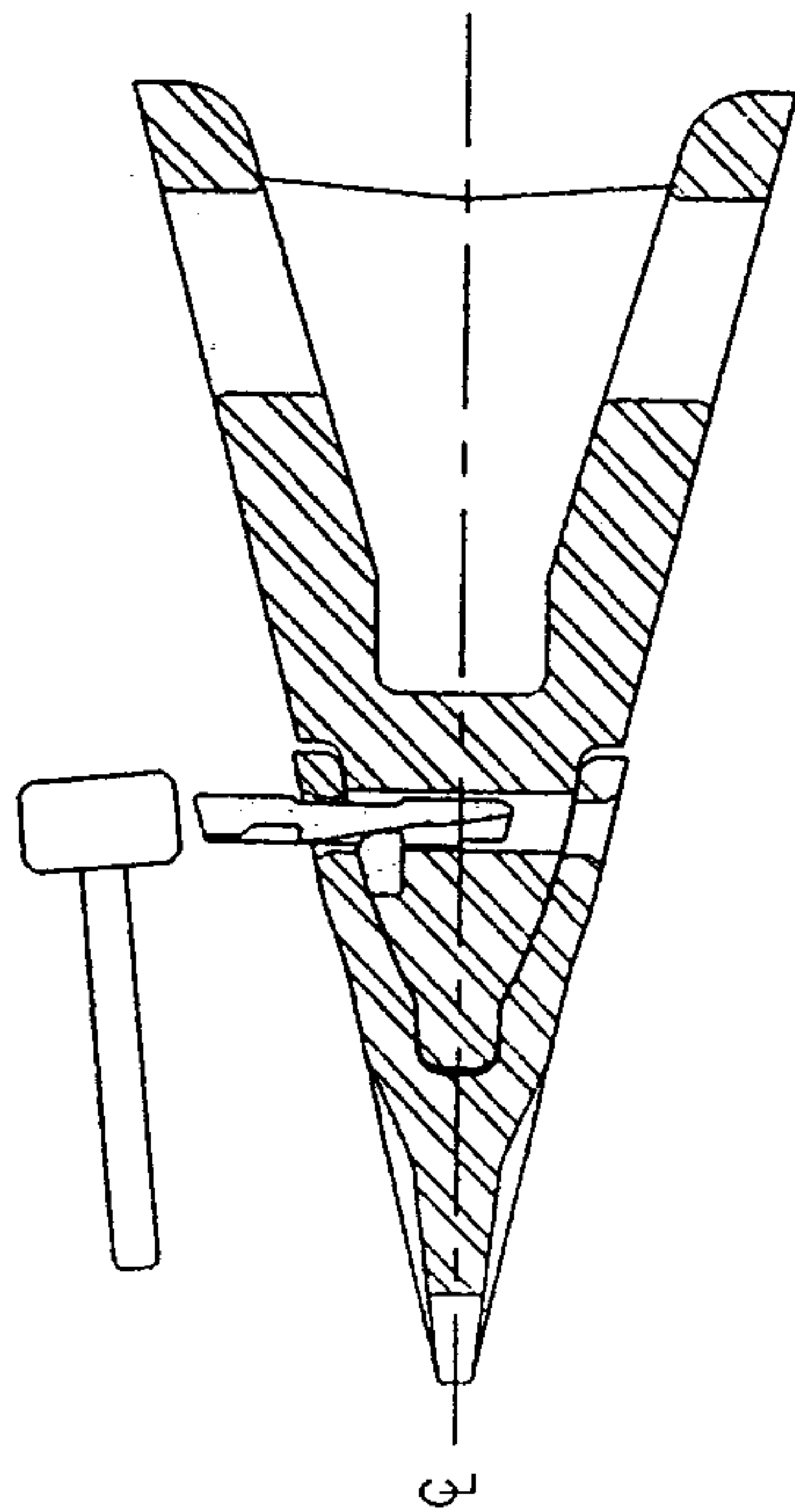


FIG. 7

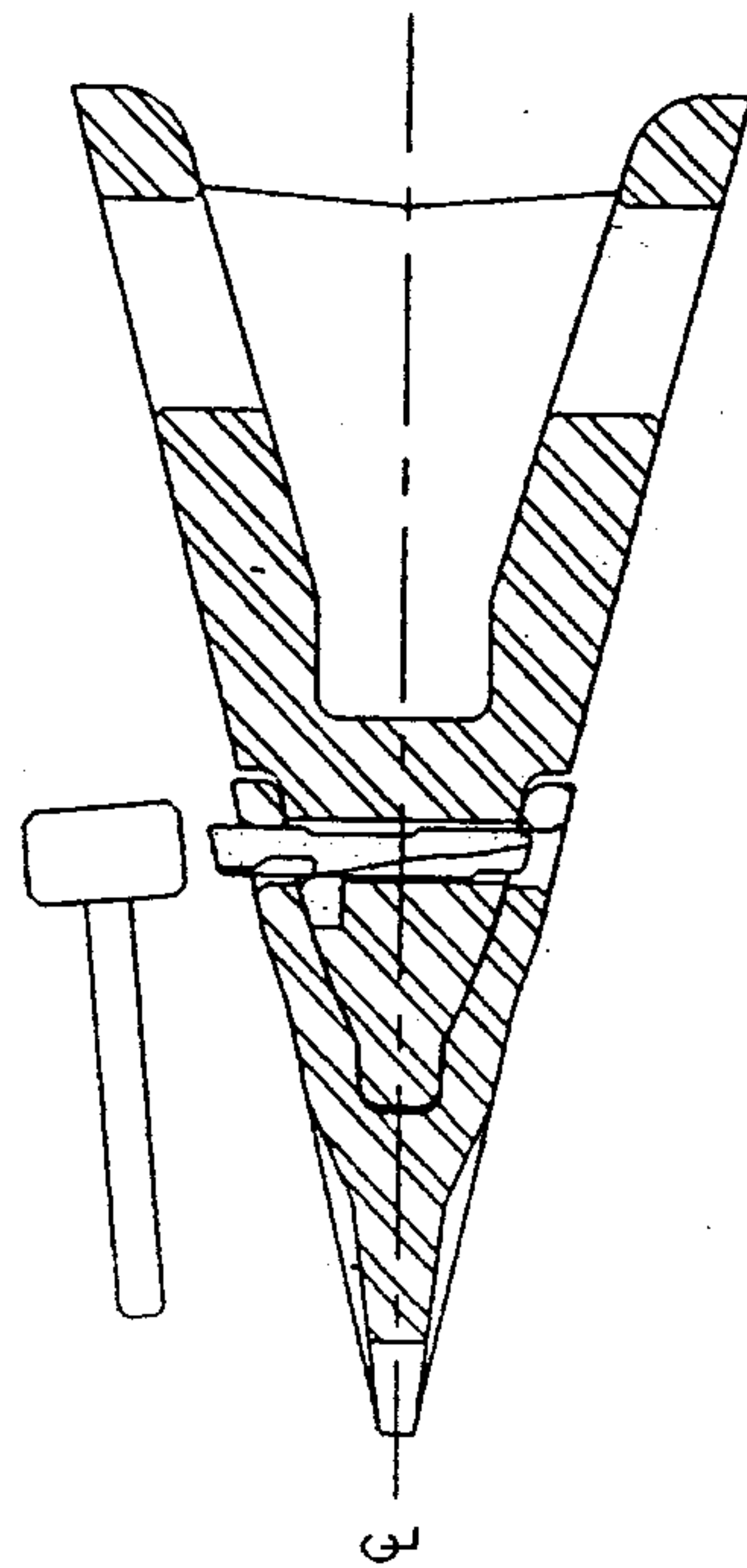
FIG. 8



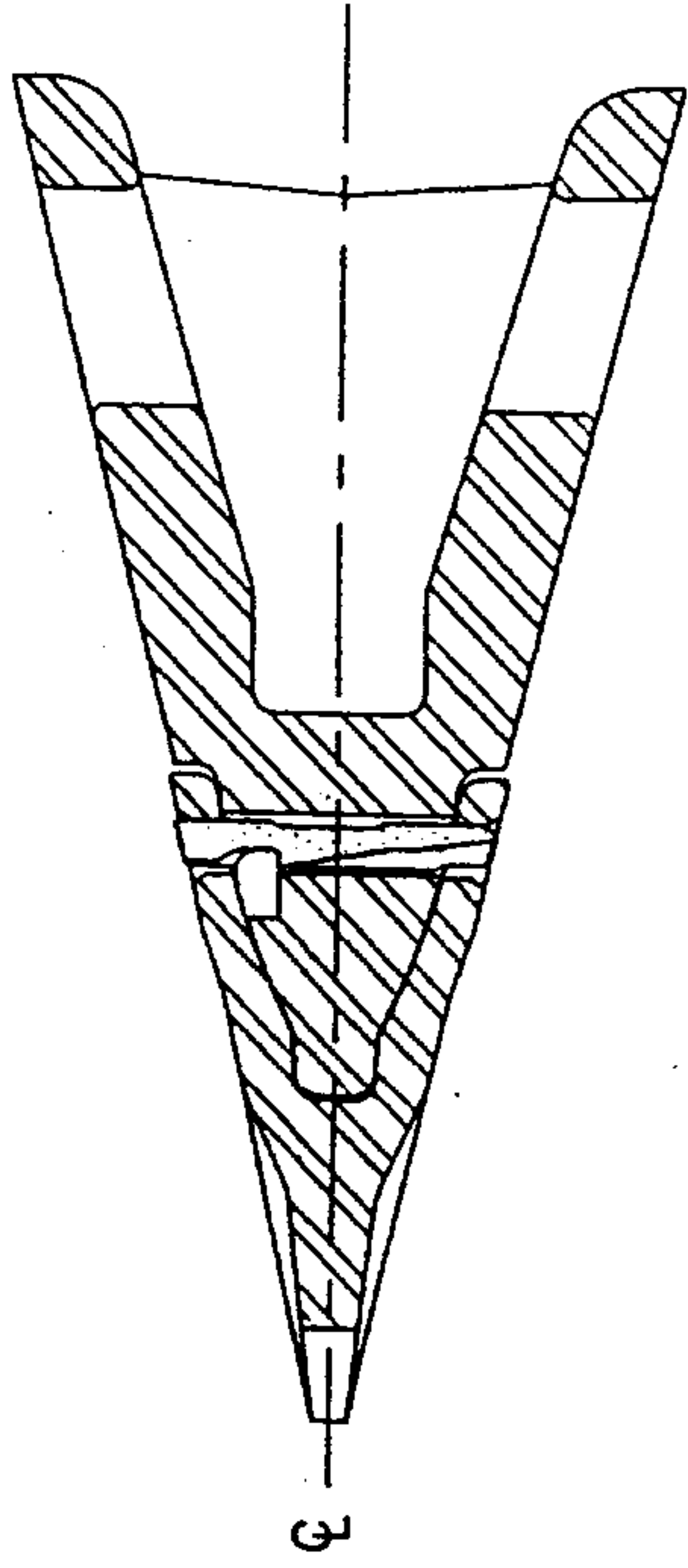
STEP 1:-- TO INSTALL PIN



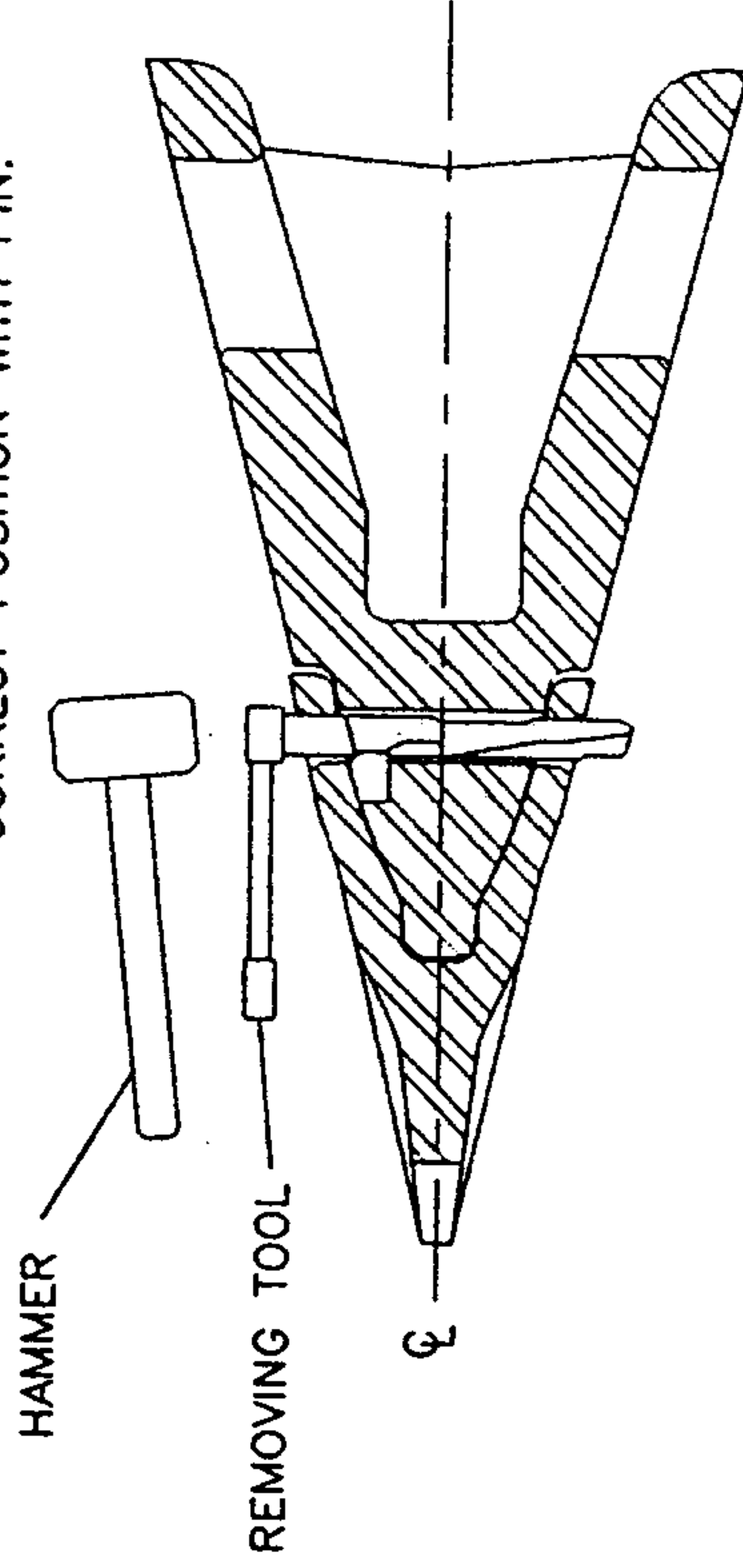
STEP 2:-- TAP PIN IN WITH HAMMER
PIN STARTS TO ENGAGED
WITH LOCK



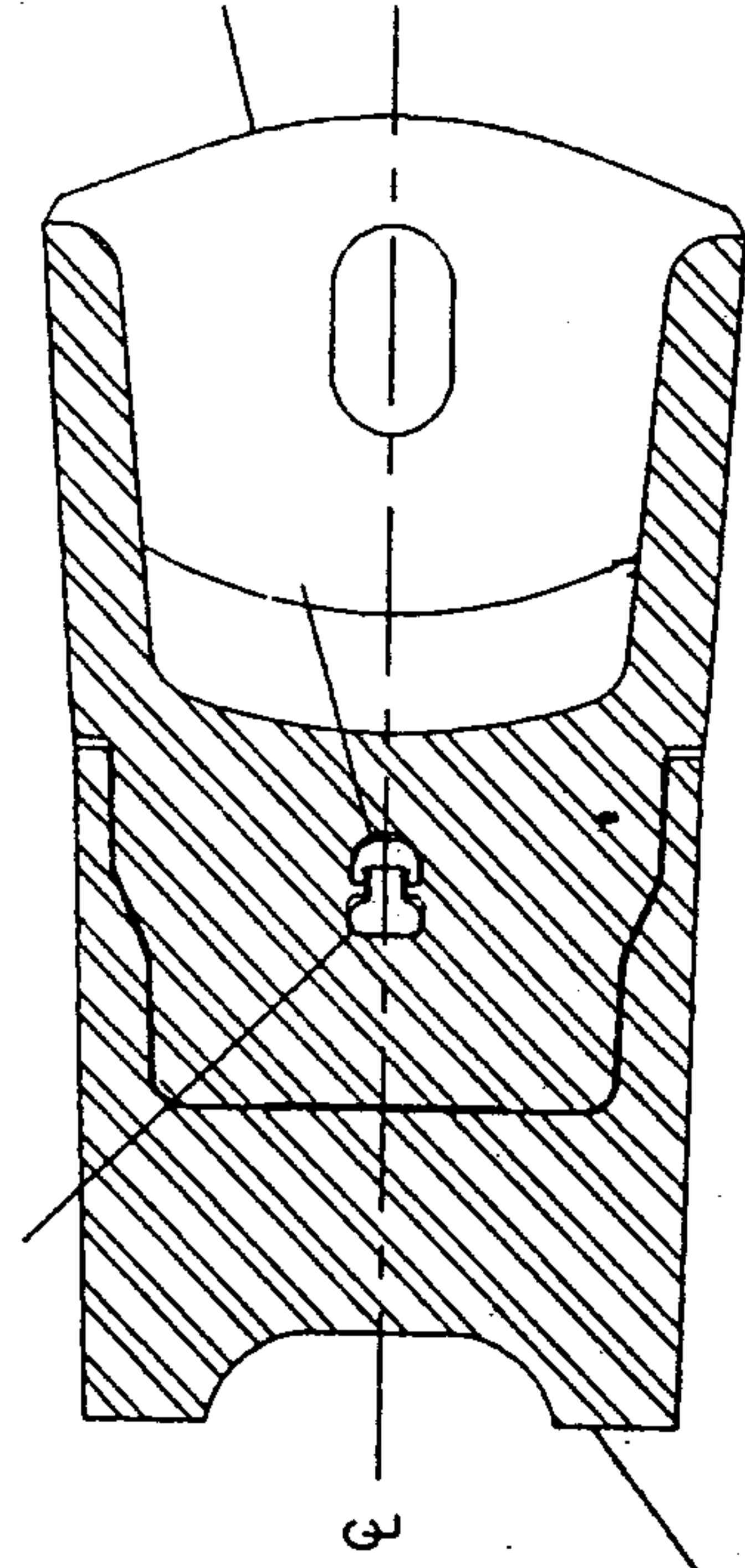
STEP 3:-- PIN ENGAGING FURTHER DOWN
THE PIN HOLE, UNTIL PIN IS
IN POSITION WITH LOCK.



STEP 4:-- LOCK IS FULLY ENGAGED IN THE
CORRECT POSITION WITH PIN.



STEP 5:-- USE PIN REMOVING TOOL TO
REMOVE PIN BY DRIVING PIN
DOWN WARD AND OUT.



TOP VIEW:-- LOCK AND PIN FULLY ENGAGED
SEE STEP 4

SIMPLEX 1:11 TOOTH
DWG. C0672

