



US00D855893S

(12) **United States Design Patent** (10) **Patent No.:** **US D855,893 S**  
**Bookris** (45) **Date of Patent:** **\*\* Aug. 6, 2019**

(54) **MODULAR BACK SUPPORT SYSTEM FOR BULLETPROOF VESTS, BACKPACKS AND THE LIKE**

(71) Applicant: **Lior Textile Industries Ltd., Shlomi (IL)**

(72) Inventor: **Matan Bookris, Nahariya (IL)**

(73) Assignee: **LIOR TEXTILE INDUSTRIES LTD., Shlomi (IL)**

(\*\*) Term: **15 Years**

(21) Appl. No.: **29/653,157**

(22) Filed: **Jun. 13, 2018**

(30) **Foreign Application Priority Data**

Dec. 13, 2017 (IL) ..... 61382

(51) **LOC (12) Cl.** ..... **29-02**

(52) **U.S. Cl.**  
USPC ..... **D29/101.4**

(58) **Field of Classification Search**

USPC ..... D29/100, 101, 101.2, 101.3, 101.4, 122, D29/124; D2/626, 829, 830, 860; 362/108; D21/805; 441/88, 106, 108, 441/111, 117; 182/3; 2/48, 51, 92, 102, 2/103, 105, 913, 914, 915

CPC ..... A41D 1/00; A45F 3/00  
See application file for complete search history.

(56) **References Cited**

U.S. PATENT DOCUMENTS

D631,611 S \* 1/2011 Sattler ..... D29/101.4  
8,353,065 B1 \* 1/2013 Crye ..... F41H 1/02  
2/102  
2012/0151656 A1\* 6/2012 Irwin ..... A63B 21/065  
2/102

\* cited by examiner

*Primary Examiner* — Randall H Gholson

(74) *Attorney, Agent, or Firm* — Mark M. Friedman

(57) **CLAIM**

The ornamental design for a modular back support system for bulletproof vests, backpacks and the like, as shown and described.

**DESCRIPTION**

FIG. 1 is a front view of a modular back support system for bulletproof vests, backpacks and the like, showing my design;

FIG. 2 is a rear view thereof;

FIG. 3 is a left side view thereof;

FIG. 4 is a right side view thereof;

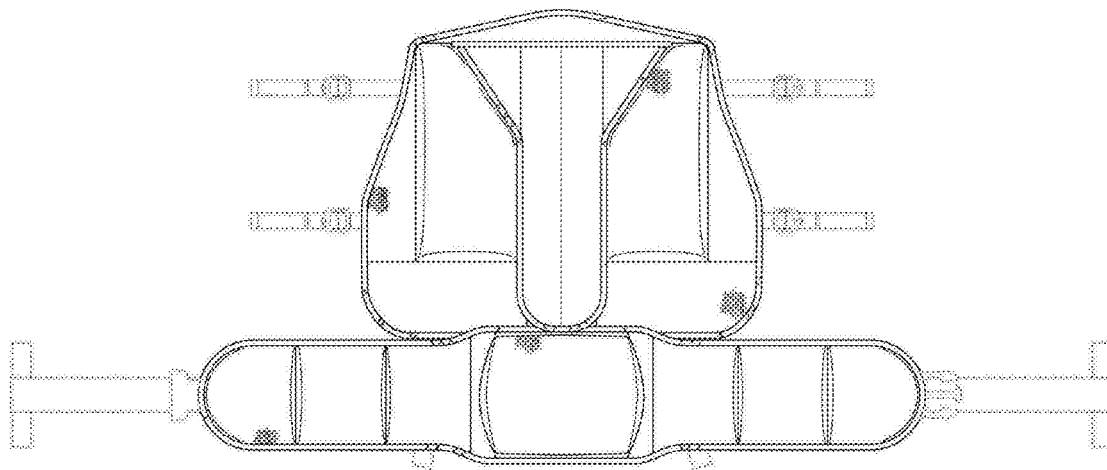
FIG. 5 is a top view thereof;

FIG. 6 is a bottom view thereof;

FIG. 7 is an exploded front perspective view thereof; and, FIG. 8 is a front perspective view of an alternate position thereof.

Any broken line illustration of environmental structure in the drawings is not part of the claimed design.

**1 Claim, 6 Drawing Sheets**



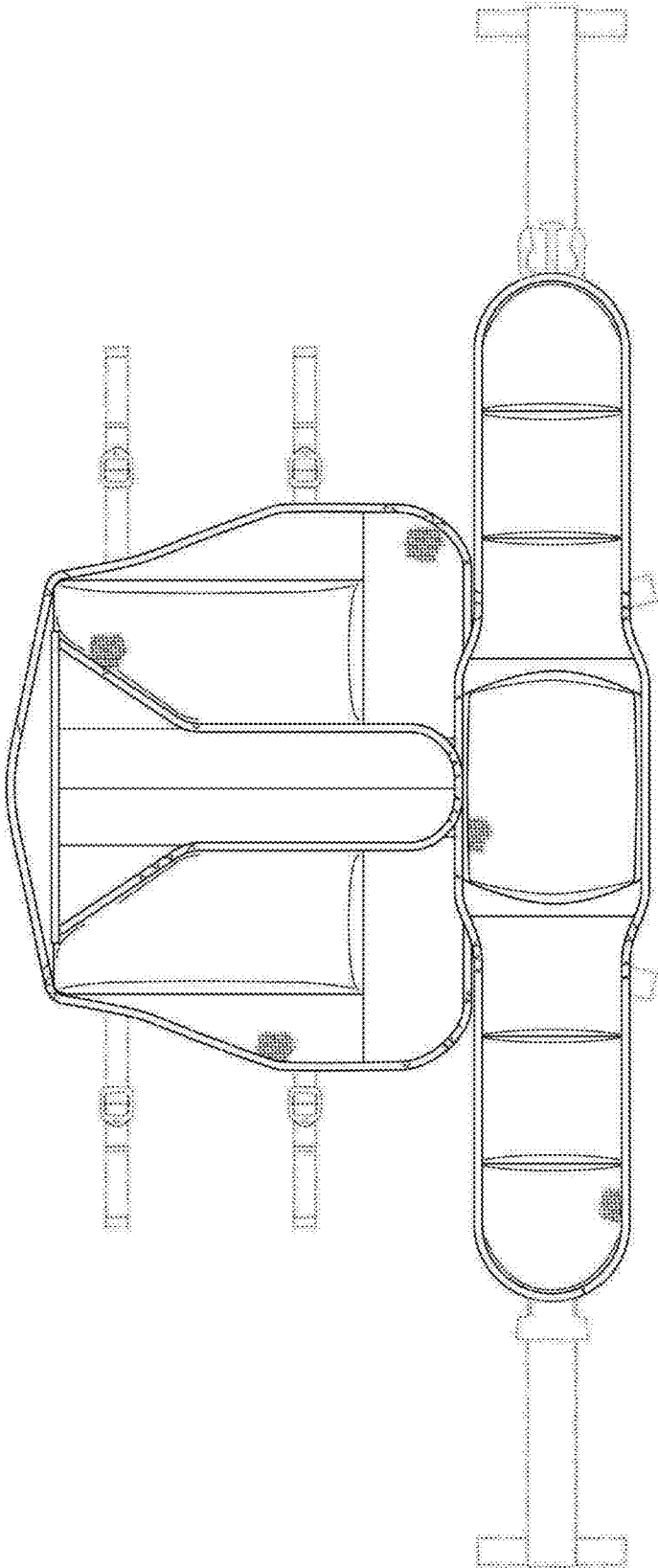


Fig. 1

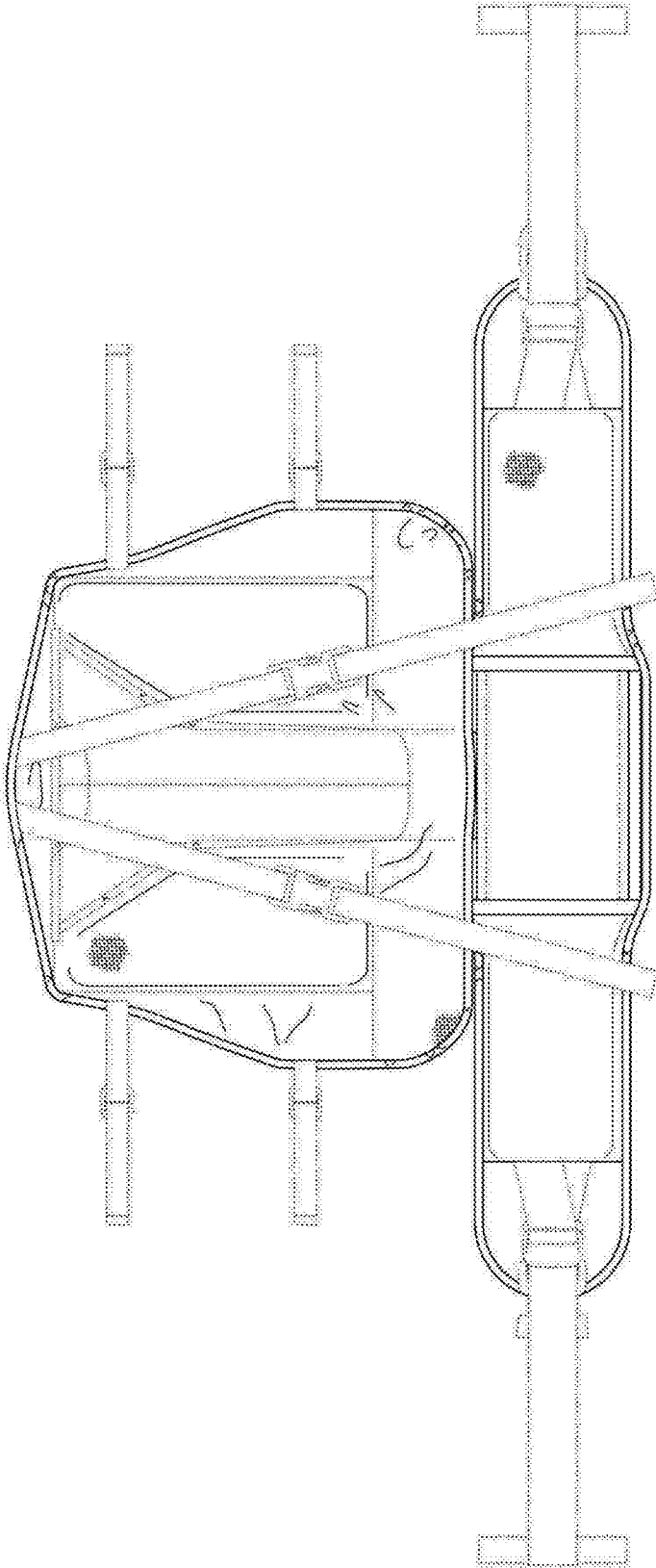


Fig. 2



Fig. 4



Fig. 3



Fig. 5



Fig. 6

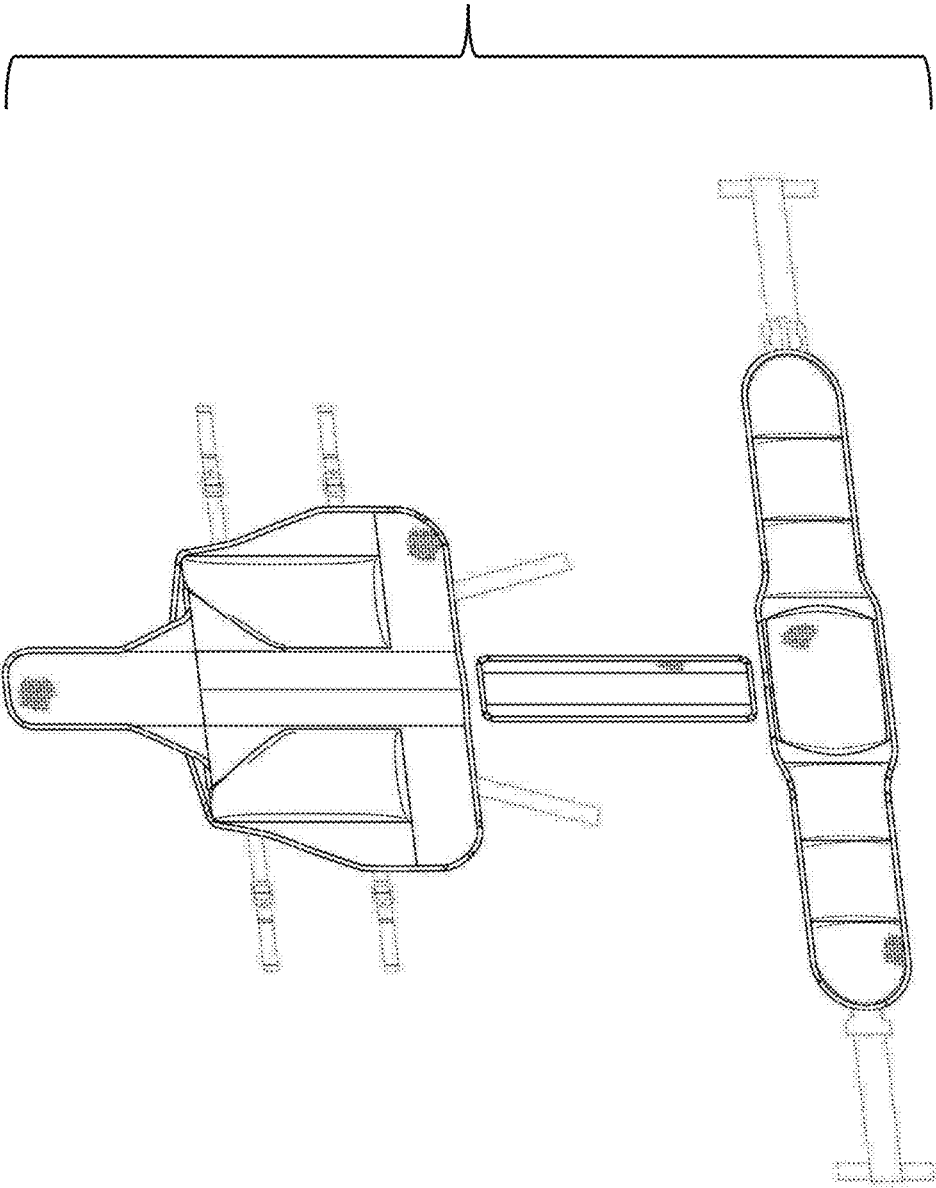


Fig. 7

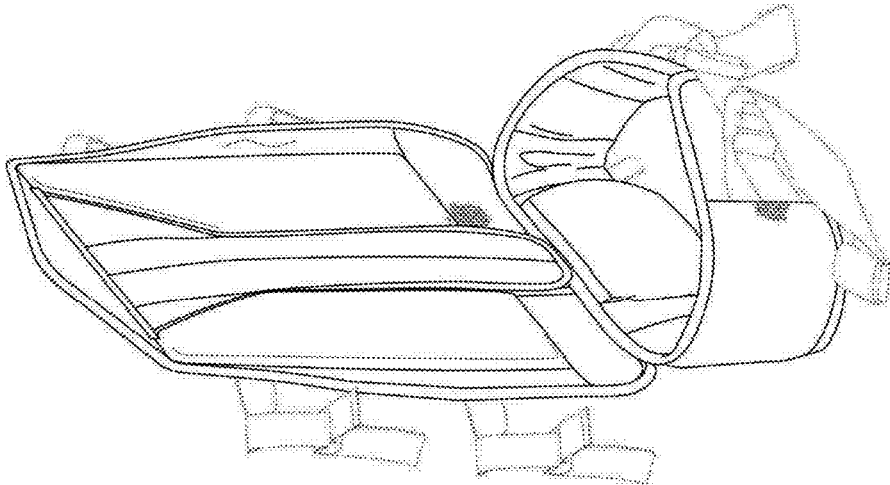


Fig. 8