

(19) World Intellectual Property Organization
International Bureau



(43) International Publication Date
3 March 2005 (03.03.2005)

PCT

(10) International Publication Number
WO 2005/019987 A3

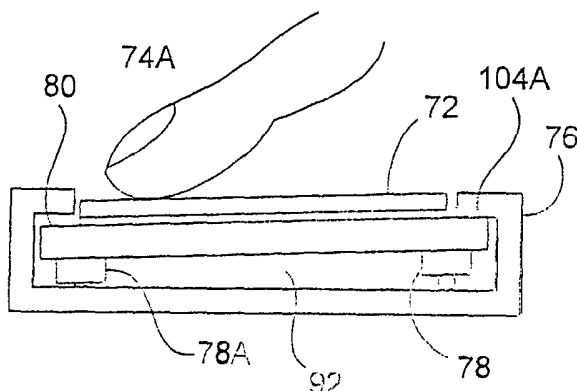
- (51) International Patent Classification:
G09G 5/00 (2006.01)
- (21) International Application Number:
PCT/US2004/025452
- (22) International Filing Date: 6 August 2004 (06.08.2004)
- (25) Filing Language: English
- (26) Publication Language: English
- (30) Priority Data:
10/643,256 18 August 2003 (18.08.2003) US
- (71) Applicant (for all designated States except US): **APPLE COMUTER, INC.** [US/US]; 1 Infinite Loop, Cupertino, CA 95014 (US).
- (72) Inventors; and
- (75) Inventors/Applicants (for US only): **ZADESKY, Stephen, Paul** [US/US]; 3366 Brittan Avenue #9, San Carlos, CA 94070 (US). **LYNCH, Stephen, Brian** [US/US]; 1620 Cervato Circle, Alamo, CA 94507 (US). **DEGNER, Brett, William** [US/US]; 845 Roble Avenue, #1, Menlo Park, CA 94025 (US).
- (74) Agent: **HOELLWARTH, Quin**; Beyer Weaver & Thomas, LLP, P.O. Box 70250, Oakland, CA 94612-0250 (US).

- (81) Designated States (unless otherwise indicated, for every kind of national protection available): AE, AG, AL, AM, AT, AU, AZ, BA, BB, BG, BR, BW, BY, BZ, CA, CH, CN, CO, CR, CU, CZ, DE, DK, DM, DZ, EC, EE, EG, ES, FI, GB, GD, GE, GH, GM, HR, HU, ID, IL, IN, IS, JP, KE, KG, KP, KR, KZ, LC, LK, LR, LS, LT, LU, LV, MA, MD, MG, MK, MN, MW, MX, MZ, NA, NI, NO, NZ, OM, PG, PH, PL, PT, RO, RU, SC, SD, SE, SG, SK, SL, SY, TJ, TM, TN, TR, TT, TZ, UA, UG, US, UZ, VC, VN, YU, ZA, ZM, ZW.
- (84) Designated States (unless otherwise indicated, for every kind of regional protection available): ARIPO (BW, GH, GM, KE, LS, MW, MZ, NA, SD, SL, SZ, TZ, UG, ZM, ZW), Eurasian (AM, AZ, BY, KG, KZ, MD, RU, TJ, TM), European (AT, BE, BG, CH, CY, CZ, DE, DK, EE, ES, FI, FR, GB, GR, HU, IE, IT, LU, MC, NL, PL, PT, RO, SE, SI, SK, TR), OAPI (BF, BJ, CF, CG, CI, CM, GA, GN, GQ, GW, ML, MR, NE, SN, TD, TG).

- Published:
— with international search report
— before the expiration of the time limit for amending the claims and to be republished in the event of receipt of amendments
- (88) Date of publication of the international search report:
10 August 2006

For two-letter codes and other abbreviations, refer to the "Guidance Notes on Codes and Abbreviations" appearing at the beginning of each regular issue of the PCT Gazette.

(54) Title: MOVABLE TOUCH PAD WITH ADDED FUNCTIONALITY



(57) Abstract: An input device is disclosed. The input device includes a movable touch pad (72) capable of detecting an object in close proximity thereto so as to generate a first control signal. The input device also includes a movement indicator (78) capable of detecting the movements of the movable touch pad so as to generate one or more distinct second control signals. The control signals being used to perform actions in an electronic device operatively coupled to the input device.

WO 2005/019987 A3

INTERNATIONAL SEARCH REPORT

International application No.

PCT/US04/25452

A. CLASSIFICATION OF SUBJECT MATTER

IPC: **G09G 5/00(2006.01)**

USPC: 345/173

According to International Patent Classification (IPC) or to both national classification and IPC

B. FIELDS SEARCHED

Minimum documentation searched (classification system followed by classification symbols)

U.S. : 345/173-177; 178/18.03-18.06

Documentation searched other than minimum documentation to the extent that such documents are included in the fields searched

Electronic data base consulted during the international search (name of data base and, where practicable, search terms used)
Please See Continuation Sheet

C. DOCUMENTS CONSIDERED TO BE RELEVANT

Category *	Citation of document, with indication, where appropriate, of the relevant passages	Relevant to claim No.
X	US 6,243,080 B1 (MOLNE) 05 June 2001 (05.06.2001), Figures 1, 2 and 6, column 1, line 65 through column 2, line 1, column 2, lines 5-36, column 3, line 15 through column 5, line 6, and column 6, line 46 through column 7, line 34.	1-31
X	US 6,429,846 B2 (ROSENBERG et al) 06 August 2002 (06.08.2002), Figures 1, 2, 6 and 7, column 2, lines 20-25, column 3, lines 54-63, column 4, lines 2-10, column 9, lines 13-39 and lines 60-66, column 11, lines 12-22, column 14, lines 54-65, and column 15, lines 39-44 and lines 48-59.	1-31

Further documents are listed in the continuation of Box C.

See patent family annex.

* Special categories of cited documents:	"T"	later document published after the international filing date or priority date and not in conflict with the application but cited to understand the principle or theory underlying the invention
"A" document defining the general state of the art which is not considered to be of particular relevance	"X"	document of particular relevance; the claimed invention cannot be considered novel or cannot be considered to involve an inventive step when the document is taken alone
"E" earlier application or patent published on or after the international filing date	"Y"	document of particular relevance; the claimed invention cannot be considered to involve an inventive step when the document is combined with one or more other such documents, such combination being obvious to a person skilled in the art
"L" document which may throw doubts on priority claim(s) or which is cited to establish the publication date of another citation or other special reason (as specified)	"&"	document member of the same patent family
"O" document referring to an oral disclosure, use, exhibition or other means		
"P" document published prior to the international filing date but later than the priority date claimed		

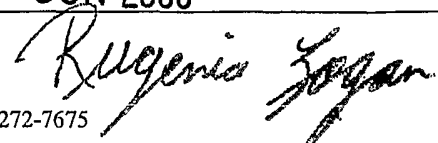
Date of the actual completion of the international search
12 May 2006 (12.05.2006)

Date of mailing of the international search report
14 JUN 2006

Name and mailing address of the ISA/US
Mail Stop PCT, Attn: ISA/US
Commissioner for Patents
P.O. Box 1450
Alexandria, Virginia 22313-1450
Facsimile No. (571) 273-3201

Authorized officer

Jimmy H. Nguyen
Telephone No. 571-272-7675



INTERNATIONAL SEARCH REPORT

International application No.

PCT/US04/25452

Continuation of B. FIELDS SEARCHED Item 3:

EAST; Databases: USPAT, US-PGPUB, EPO, JPO, USOCR, DERWENT, IBM_TDB; Searched Terms: movable/rotatable/tiltable/pivotable touchpad/touchscreen/tablet/digitizer, depress/press, button, switch, sensor, resistive/resistant/capacitive/optical/pressure/acoustic sensor/sensitive/sensing, button/switch zones/areas/portions, wired communication/connection/transmission, wireless, frame, housing, base, absolute mode, relative mode.