

(19) World Intellectual Property Organization
International Bureau



(43) International Publication Date
27 September 2007 (27.09.2007)

PCT

(10) International Publication Number
WO 2007/108877 A3

- (51) International Patent Classification:
A24F 47/00 (2006.01) A24B 15/16 (2006.01)
- (21) International Application Number:
PCT/US2007/004180
- (22) International Filing Date:
14 February 2007 (14.02.2007)
- (25) Filing Language: English
- (26) Publication Language: English
- (30) Priority Data:
11/377,630 16 March 2006 (16.03.2006) US
- (71) Applicant (for all designated States except US): **R.J. REYNOLDS TOBACCO COMPANY** [US/US]; 401 North Main Street, Winston-salem, NC 27101 (US).
- (72) Inventors; and
- (75) Inventors/Applicants (for US only): **CROOKS, Evon, Llewellyn** [US/US]; 749 Howell Road, Mocksville, NC 27028 (US). **CONNER, Billy, Tyrone** [US/US]; 180 Scott Farm Road, Clemmons, NC 27012 (US). **BREWER, Dempsey, Bailey** [US/US]; 2853 Davis Road, East Bend, NC 27018 (US). **READ, Louis, John** [US/US]; 4949 Leinbach Drive, Winston-salem, NC 27106-1621 (US).
- (74) Agent: **RICHARDS, Marc, V.**; Brinks Hofer Gilson & Lione, P.O. Box 10087, Chicago, IL 60610 (US).

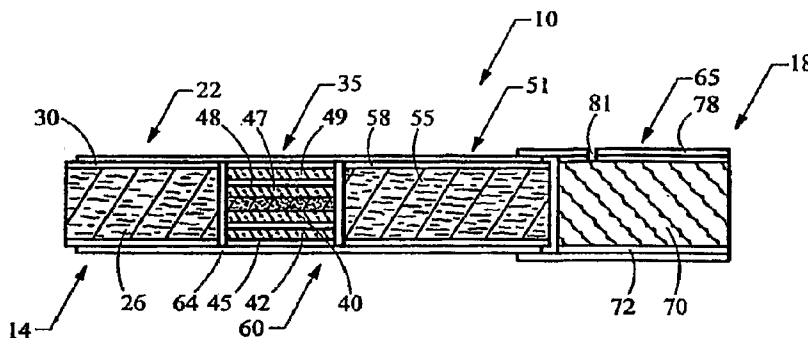
- (81) Designated States (unless otherwise indicated, for every kind of national protection available): AE, AG, AL, AM, AT, AU, AZ, BA, BB, BG, BR, BW, BY, BZ, CA, CH, CN, CO, CR, CU, CZ, DE, DK, DM, DZ, EC, EE, EG, ES, FI, GB, GD, GE, GH, GM, GT, HN, HR, HU, ID, IL, IN, IS, JP, KE, KG, KM, KN, KP, KR, KZ, LA, LC, LK, LR, LS, LT, LU, LV, LY, MA, MD, MG, MK, MN, MW, MX, MY, MZ, NA, NG, NI, NO, NZ, OM, PG, PH, PL, PT, RO, RS, RU, SC, SD, SE, SG, SK, SL, SM, SV, SY, TJ, TM, TN, TR, TT, TZ, UA, UG, US, UZ, VC, VN, ZA, ZM, ZW.
- (84) Designated States (unless otherwise indicated, for every kind of regional protection available): ARIPO (BW, GH, GM, KE, LS, MW, MZ, NA, SD, SL, SZ, TZ, UG, ZM, ZW), Eurasian (AM, AZ, BY, KG, KZ, MD, RU, TJ, TM), European (AT, BE, BG, CH, CY, CZ, DE, DK, EE, ES, FI, FR, GB, GR, HU, IE, IS, IT, LT, LU, LV, MC, NL, PL, PT, RO, SE, SI, SK, TR), OAPI (BF, BJ, CF, CG, CI, CM, GA, GN, GQ, GW, ML, MR, NE, SN, TD, TG).

Published:

- with international search report
- before the expiration of the time limit for amending the claims and to be republished in the event of receipt of amendments

[Continued on next page]

(54) Title: SMOKING ARTICLE



(57) **Abstract:** A smoking article (10), such as a cigarette, comprises a lighting end (14) and a mouth end (18). The smoking article possesses an aerosol-generation system (60) that includes (i) a heat generation segment (35), and (ii) an aerosol-generating region or segment (51). A mouth end piece segment (65) can be located at the mouth end of the smoking article. A segment of tobacco cut filler, gathered tobacco paper, or other type of flavor source material, can be positioned between the mouth end piece segment and the aerosol-generation segment. Optionally, segment composed of tobacco cut filler (26) can be positioned so as to provide a lighting end segment (22). The smoking article possesses an overwrap (64) (e.g., a single paper overwrap) that extends over the longitudinally extending surface of the mouth end piece segment, the aerosol generation segment, at least a portion of the length of the heat generation segment, any segment located between the mouth end piece and aerosol generation segments, and at least a portion of the length of the optional lighting end segment. Alternatively, the smoking article possesses an overwrap (e.g., a single paper overwrap) that extends over the longitudinally extending surface of the aerosol-generating segment, at least a portion of the length of the heat: generation segment, at least a portion of any segment located downstream from the aerosol-generating segment, and at least a portion of the length of the optional lighting end segment, thereby forming a cigarette rod; and the cigarette rod is connected or attached to a filter element using a tipping type of material (78) and arrangement.

WO 2007/108877 A3



(88) Date of publication of the international search report:

8 November 2007

For two-letter codes and other abbreviations, refer to the "Guidance Notes on Codes and Abbreviations" appearing at the beginning of each regular issue of the PCT Gazette.

INTERNATIONAL SEARCH REPORT

International application No
PCT/US2007/004180

A. CLASSIFICATION OF SUBJECT MATTER
INV. A24F47/00 A24B15/16

According to International Patent Classification (IPC) or to both national classification and IPC

B. FIELDS SEARCHED

Minimum documentation searched (classification system followed by classification symbols)
A24F A24B

Documentation searched other than minimum documentation to the extent that such documents are included in the fields searched

Electronic data base consulted during the international search (name of data base and, where practical, search terms used)
EPO-Internal, WPI Data

C. DOCUMENTS CONSIDERED TO BE RELEVANT

Category*	Citation of document, with indication, where appropriate, of the relevant passages	Relevant to claim No.
P, X	WO 2007/015735 A (REYNOLDS TOBACCO CO R [US]; CANTRELL DANIEL V [US]; CASEY WILLIAM J [U] 8 February 2007 (2007-02-08) the whole document	1
X	US 5 819 751 A (BARNES VERNON BRENT [US] ET AL) 13 October 1998 (1998-10-13) the whole document	7-10, 17-19, 25, 28, 30, 31, 37, 39, 45-47
X	EP 0 623 289 A1 (REYNOLDS TOBACCO CO R [US]) 9 November 1994 (1994-11-09) page 3, line 57 - page 5, line 21; figures -/--	31, 40

Further documents are listed in the continuation of Box C.

See patent family annex.

* Special categories of cited documents :

- *A* document defining the general state of the art which is not considered to be of particular relevance
- *E* earlier document but published on or after the international filing date
- *L* document which may throw doubts on priority claim(s) or which is cited to establish the publication date of another citation or other special reason (as specified)
- *O* document referring to an oral disclosure, use, exhibition or other means
- *P* document published prior to the international filing date but later than the priority date claimed

- *T* later document published after the international filing date or priority date and not in conflict with the application but cited to understand the principle or theory underlying the invention
- *X* document of particular relevance; the claimed invention cannot be considered novel or cannot be considered to involve an inventive step when the document is taken alone
- *Y* document of particular relevance; the claimed invention cannot be considered to involve an inventive step when the document is combined with one or more other such documents, such combination being obvious to a person skilled in the art.
- *S* document member of the same patent family

Date of the actual completion of the international search

Date of mailing of the international search report

11 September 2007

21/09/2007

Name and mailing address of the ISA/
European Patent Office, P.B. 5818 Patentlaan 2
NL - 2280 HV Rijswijk
Tel. (+31-70) 340-2040, Tx. 31 651 epo nl,
Fax: (+31-70) 340-3016

Authorized officer

MARZANO MONTEROSSO

INTERNATIONAL SEARCH REPORT

International application No

PCT/US2007/004180

C(Continuation). DOCUMENTS CONSIDERED TO BE RELEVANT		
Category*	Citation of document, with indication, where appropriate, of the relevant passages	Relevant to claim No.
X	EP 0 525 347 A2 (REYNOLDS TOBACCO CO R [US]) 3 February 1993 (1993-02-03) page 4, line 45 - page 5, line 2; figure 1 -----	19
X	EP 0 588 247 A (REYNOLDS TOBACCO CO R [US]) 23 March 1994 (1994-03-23) the whole document -----	31,40
A	EP 0 254 848 A (REYNOLDS TOBACCO CO R [US]) 3 February 1988 (1988-02-03) the whole document -----	1

INTERNATIONAL SEARCH REPORT

Information on patent family members

International application No

PCT/US2007/004180

Patent document cited in search report		Publication date	Patent family member(s)	Publication date
WO 2007015735	A	08-02-2007	US 2007023056 A1	01-02-2007
US 5819751	A	13-10-1998	AT 178462 T	15-04-1999
			AU 669728 B2	20-06-1996
			AU 4615593 A	24-03-1994
			CA 2106321 A1	18-03-1994
			CN 1086407 A	11-05-1994
			DE 69324320 D1	12-05-1999
			DE 69324320 T2	04-11-1999
			DK 589298 T3	18-10-1999
			EP 0589298 A1	30-03-1994
			ES 2129475 T3	16-06-1999
			FI 934074 A	18-03-1994
			GR 3030416 T3	30-09-1999
			HU 3808 A1	30-06-1997
			JP 3422824 B2	30-06-2003
			JP 6189733 A	12-07-1994
			NO 933310 A	18-03-1994
			PH 30698 A	16-09-1997
			PL 173778 B1	30-04-1998
			RU 2109468 C1	27-04-1998
EP 0623289	A1	09-11-1994	AT 158694 T	15-10-1997
			AU 667160 B2	07-03-1996
			AU 5931894 A	13-10-1994
			BG 61522 B1	28-11-1997
			BG 98697 A	31-03-1995
			BR 9401409 A	01-11-1994
			CA 2120586 A1	08-10-1994
			CN 1093556 A	19-10-1994
			DE 69405906 D1	06-11-1997
			DE 69405906 T2	16-04-1998
			DK 623289 T3	11-05-1998
			ES 2107702 T3	01-12-1997
			GR 3025635 T3	31-03-1998
			JP 3390520 B2	24-03-2003
			JP 6311877 A	08-11-1994
			PH 30299 A	20-02-1997
			PL 175470 B1	29-01-1999
			RU 2120781 C1	27-10-1998
			US 5551451 A	03-09-1996
EP 0525347	A2	03-02-1993	AT 152325 T	15-05-1997
			AU 643929 B2	25-11-1993
			AU 1829392 A	07-01-1993
			BG 61499 B1	31-10-1997
			BR 9202491 A	09-02-1993
			CA 2072306 A1	29-12-1992
			CN 1068024 A	20-01-1993
			DE 69219413 D1	05-06-1997
			DE 69219413 T2	18-09-1997
			DK 525347 T3	01-12-1997
			ES 2100975 T3	01-07-1997
			FI 922898 A	29-12-1992
			GR 3023661 T3	30-09-1997
			HU 63038 A2	28-07-1993
			IE 921837 A1	30-12-1992
			JP 3342510 B2	11-11-2002

INTERNATIONAL SEARCH REPORT

Information on patent family members

International application No

PCT/US2007/004180

Patent document cited in search report	Publication date	Patent family member(s)	Publication date	
EP 0525347	A2	JP 5207868 A	20-08-1993	
		MX 9202965 A1	01-12-1992	
		NO 922529 A	29-12-1992	
		PL 295024 A1	08-03-1993	
		RU 2045209 C1	10-10-1995	
		TR 26117 A	15-02-1995	
		US 5178167 A	12-01-1993	
		ZA 9204208 A	31-03-1993	
EP 0588247	A	23-03-1994	AU 667570 B2	28-03-1996
			AU 4740793 A	24-03-1994
			CA 2106322 A1	18-03-1994
			CN 1087497 A	08-06-1994
			FI 934073 A	18-03-1994
			HU 68354 A2	28-06-1995
			JP 3419514 B2	23-06-2003
			JP 6217754 A	09-08-1994
			MX 9305565 A1	31-05-1994
			NO 933311 A	18-03-1994
			PH 30863 A	09-12-1997
			PL 173631 B1	30-04-1998
			RU 2102906 C1	27-01-1998
			US 5345955 A	13-09-1994
			EP 0254848	A
AU 7607987 A	04-02-1988			
BR 8703737 A	29-03-1988			
CA 1294122 C	14-01-1992			
CN 87105240 A	10-02-1988			
DD 298203 A5	13-02-1992			
DK 369087 A	29-01-1988			
FI 872862 A	29-01-1988			
HU 47013 A2	30-01-1989			
HU 202735 B	29-04-1991			
IL 82748 A	12-05-1991			
JP 63035468 A	16-02-1988			
MA 21042 A1	01-04-1988			
PH 25345 A	13-05-1991			
PL 266885 A1	29-09-1988			
PT 85415 A	29-07-1988			
SU 1641182 A3	07-04-1991			
TR 23220 A	23-06-1989			
US 4827950 A	09-05-1989			
YU 127687 A1	31-12-1988			
YU 150088 A1	28-02-1990			
ZA 8704063 A	19-01-1988			