



- (51) International Patent Classification:
H01R 12/00 (2006.01)
- (21) International Application Number:
PCT/US2013/046812
- (22) International Filing Date:
20 June 2013 (20.06.2013)
- (25) Filing Language: English
- (26) Publication Language: English
- (30) Priority Data:
61/662,676 21 June 2012 (21.06.2012) US
61/831,340 5 June 2013 (05.06.2013) US
- (71) Applicant: IDEAL INDUSTRIES, INC. [US/US]; Becker Place, Sycamore, Illinois 60178 (US).
- (72) Inventors: ZANTOUT, Alan E.; 365 Conlin Avenue, Sycamore, Illinois 60178 (US). BREEN, Dennis M., IV; 2428 Wyeth Drive, West Chicago, Illinois 60185 (US). SWEDBERG, Benjamin D.; 101 Turner Place, Sycamore, Illinois 60178 (US).
- (74) Agents: JAROSIK, Keith R. et al.; Greenberg Traurig, LLP, 77 W. Wacker Drive, Suite 3100, Chicago, Illinois 60601-1732 (US).
- (81) Designated States (unless otherwise indicated, for every kind of national protection available): AE, AG, AL, AM,

AO, AT, AU, AZ, BA, BB, BG, BH, BN, BR, BW, BY, BZ, CA, CH, CL, CN, CO, CR, CU, CZ, DE, DK, DM, DO, DZ, EC, EE, EG, ES, FI, GB, GD, GE, GH, GM, GT, HN, HR, HU, ID, IL, IN, IS, JP, KE, KG, KN, KP, KR, KZ, LA, LC, LK, LR, LS, LT, LU, LY, MA, MD, ME, MG, MK, MN, MW, MX, MY, MZ, NA, NG, NI, NO, NZ, OM, PA, PE, PG, PH, PL, PT, QA, RO, RS, RU, RW, SC, SD, SE, SG, SK, SL, SM, ST, SV, SY, TH, TJ, TM, TN, TR, TT, TZ, UA, UG, US, UZ, VC, VN, ZA, ZM, ZW.

- (84) Designated States (unless otherwise indicated, for every kind of regional protection available): ARIPO (BW, GH, GM, KE, LR, LS, MW, MZ, NA, RW, SD, SL, SZ, TZ, UG, ZM, ZW), Eurasian (AM, AZ, BY, KG, KZ, RU, TJ, TM), European (AL, AT, BE, BG, CH, CY, CZ, DE, DK, EE, ES, FI, FR, GB, GR, HR, HU, IE, IS, IT, LT, LU, LV, MC, MK, MT, NL, NO, PL, PT, RO, RS, SE, SI, SK, SM, TR), OAPI (BF, BJ, CF, CG, CI, CM, GA, GN, GQ, GW, KM, ML, MR, NE, SN, TD, TG).

- Published:
 - with international search report (Art. 21(3))
 - before the expiration of the time limit for amending the claims and to be republished in the event of receipt of amendments (Rule 48.2(h))
- (88) Date of publication of the international search report:
30 January 2014

(54) Title: ELECTRICAL CONNECTORS FOR USE WITH PRINTED CIRCUIT BOARDS

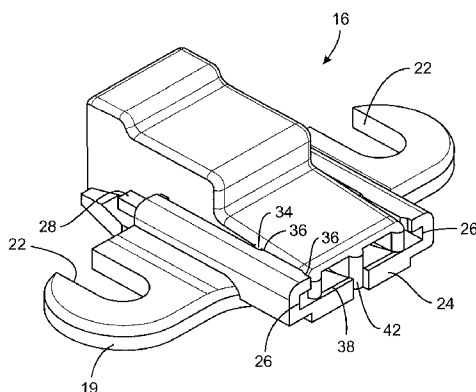


FIG. 2

(57) Abstract: A connector for electrically connecting a conductor to a first printed circuit board (PCB) or for electrically connecting a first and second PCB together. A housing is adapted to be slidably moveable relative to a mounting structure to allow the mounting of the PCB to the surface and moveable over the PCB to contact pads located on the top side of the PCB. In another example, a bridging connector for electrically connecting a first PCB with a second PCB includes a resilient holding element, such as for example a spring clip, engageable with at least one of the PCBs and/or a surface supporting the PCB(s) to releasably retain the housing and the terminals in the correct location.



INTERNATIONAL SEARCH REPORT

International application No.

PCT/US2013/046812

A. CLASSIFICATION OF SUBJECT MATTER IPC(8) - H01R 12/00 (2013.01) USPC - 439/493 According to International Patent Classification (IPC) or to both national classification and IPC		
B. FIELDS SEARCHED Minimum documentation searched (classification system followed by classification symbols) IPC(8) - F21K 99/00; F21V 19/00, 21/005, 23/00, 23/06; H01R.4/24, 12/00, 12/04, 12/08, 12/10, 12/14, 12/16, 12/24, 12/61, 12/71, 13/24, 13/66, 24/00; H05K 1/11, 1/14, 3/36 (2013.01) USPC - 362/219; 439/65, 67, 329, 492, 493, 631 Documentation searched other than minimum documentation to the extent that such documents are included in the fields searched CPC - F21V 21/005, 23/06, H05K 1/142, 3/365, 2201/10106 (2013.01) Electronic data base consulted during the international search (name of data base and, where practicable, search terms used) PatBase, Google Patents, Google		
C. DOCUMENTS CONSIDERED TO BE RELEVANT		
Category*	Citation of document, with indication, where appropriate, of the relevant passages	Relevant to claim No.
X -- Y	EP 2 209 165 A1 (TOTTE) 21 July 2010 (21.07.2010) entire document	1-3,5-14,16-38,40 ----- 4,15,39
Y	US 2010/0142205 A1 (BISHOP) 10 June 2010 (10.06.2010) entire document	4,15,39
A	US 2010/0142204 A1 (BISHOP) 10 June 2010 (10.06.2010) entire document	1-40
<input type="checkbox"/> Further documents are listed in the continuation of Box C. <input type="checkbox"/>		
* Special categories of cited documents: "A" document defining the general state of the art which is not considered to be of particular relevance "E" earlier application or patent but published on or after the international filing date "L" document which may throw doubts on priority claim(s) or which is cited to establish the publication date of another citation or other special reason (as specified) "O" document referring to an oral disclosure, use, exhibition or other means "P" document published prior to the international filing date but later than the priority date claimed "T" later document published after the international filing date or priority date and not in conflict with the application but cited to understand the principle or theory underlying the invention "X" document of particular relevance; the claimed invention cannot be considered novel or cannot be considered to involve an inventive step when the document is taken alone "Y" document of particular relevance; the claimed invention cannot be considered to involve an inventive step when the document is combined with one or more other such documents, such combination being obvious to a person skilled in the art "&" document member of the same patent family		
Date of the actual completion of the international search 12 November 2013		Date of mailing of the international search report 29 NOV 2013
Name and mailing address of the ISA/US Mail Stop PCT, Attn: ISA/US, Commissioner for Patents P.O. Box 1450, Alexandria, Virginia 22313-1450 Facsimile No. 571-273-3201		Authorized officer: Blaine R. Copenheaver PCT Helpdesk: 571-272-4300 PCT OSP: 571-272-7774