

(19) World Intellectual Property Organization
International Bureau



(43) International Publication Date
5 March 2009 (05.03.2009)

PCT

(10) International Publication Number
WO 2009/028765 A3

- (51) **International Patent Classification:**
F24F 1/00 (2006.01) *F24F 13/20* (2006.01)
- (21) **International Application Number:**
PCT/KR2007/006853
- (22) **International Filing Date:**
26 December 2007 (26.12.2007)
- (25) **Filing Language:** English
- (26) **Publication Language:** English
- (30) **Priority Data:**
10-2007-0087154 29 August 2007 (29.08.2007) KR
- (71) **Applicant (for all designated States except US):** LG ELECTRONICS INC. [KR/KR]; 20, Yeouido-dong, Yeongdeungpo-ku, Seoul 150-721 (KR).
- (72) **Inventor; and**
- (75) **Inventor/Applicant (for US only):** YANG, Seung-Hoon [KR/KR]; LG ELECTRONICS INC.IP GROUP 391-2, Gaeumjeong-dong, Changwon City, Gyeongnam-do 641-711 (KR).
- (74) **Agent:** HAW, Yong-Noke; 6th Fl. Hyun Juk Bldg., 832-41 Yeoksam-dong, Gangnam-gu, Seoul 135-080 (KR).
- (81) **Designated States (unless otherwise indicated, for every kind of national protection available):** AE, AG, AL, AM,

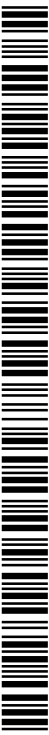
AT, AU, AZ, BA, BB, BG, BH, BR, BW, BY, BZ, CA, CH, CN, CO, CR, CU, CZ, DE, DK, DM, DO, DZ, EC, EE, EG, ES, FI, GB, GD, GE, GH, GM, GT, HN, HR, HU, ID, IL, IN, IS, JP, KE, KG, KM, KN, KP, KZ, LA, LC, LK, LR, LS, LT, LU, LY, MA, MD, ME, MG, MK, MN, MW, MX, MY, MZ, NA, NG, NI, NO, NZ, OM, PG, PH, PL, PT, RO, RS, RU, SC, SD, SE, SG, SK, SL, SM, SV, SY, TJ, TM, TN, TR, TT, TZ, UA, UG, US, UZ, VC, VN, ZA, ZM, ZW.

(84) **Designated States (unless otherwise indicated, for every kind of regional protection available):** ARIPO (BW, GH, GM, KE, LS, MW, MZ, NA, SD, SL, SZ, TZ, UG, ZM, ZW), Eurasian (AM, AZ, BY, KG, KZ, MD, RU, TJ, TM), European (AT, BE, BG, CH, CY, CZ, DE, DK, EE, ES, FI, FR, GB, GR, HU, IE, IS, IT, LT, LU, LV, MC, MT, NL, PL, PT, RO, SE, SI, SK, TR), OAPI (BF, BJ, CF, CG, CI, CM, GA, GN, GQ, GW, ML, MR, NE, SN, TD, TG).

Published:

- with international search report (Art. 21(3))
- before the expiration of the time limit for amending the claims and to be republished in the event of receipt of amendments (Rule 48.2(h))

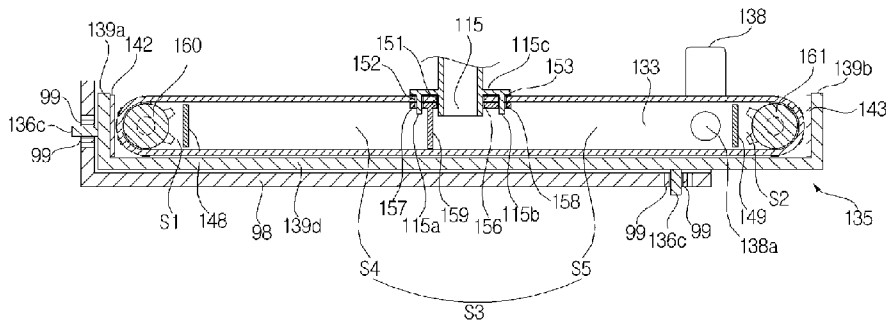
(88) **Date of publication of the international search report:**
24 September 2009



WO 2009/028765 A3

(54) **Title:** AIR CONDITIONER

[Fig. 9]



(57) **Abstract:** An air conditioner is provided. The air conditioner includes: a body defining an air suction port; a filter filtering air suctioned through the air suction port; a suction nozzle suctioning foreign materials of the filter and moving with respect to the filter; a suction duct (135) into which the foreign materials suctioned through the suction nozzle flow; a screening member forming a suction space (S3) in relationship with the suction duct (135); and a space adjustor (159) disposed on the suction space (S3) to adjust a volume of the suction space (S3).

INTERNATIONAL SEARCH REPORT

International application No.
PCT/KR 2007/006853

A. CLASSIFICATION OF SUBJECT MATTER IPC ⁸ : F24F 1/00 (2006.01); F24F 13/20 (2006.01) According to International Patent Classification (IPC) or to both national classification and IPC		
B. FIELDS SEARCHED Minimum documentation searched (classification system followed by classification symbols) IPC ⁸ : F24F Documentation searched other than minimum documentation to the extent that such documents are included in the fields searched		
Electronic data base consulted during the international search (name of data base and, where practicable, search terms used) EPODOC, WPI, PAJ; NPL; esp@cenet; Internet (Google)		
C. DOCUMENTS CONSIDERED TO BE RELEVANT		
Category*	Citation of document, with indication, where appropriate, of the relevant passages	Relevant to claim No.
A	JP 2006284044 A (MATSUSHITA ELECTRIC IND CO LTD.) 19 October 2006 (19.10.2006) (abstract) [online] [retrieved 06.05.2009]; Retrieved from: EPOQUE EPODOC Database <i>abstract and figure 3-6</i> ---	1-19
<input type="checkbox"/> Further documents are listed in the continuation of Box C. <input checked="" type="checkbox"/> See patent family annex.		
<p>* Special categories of cited documents:</p> <p>"A" document defining the general state of the art which is not considered to be of particular relevance</p> <p>"E" earlier application or patent but published on or after the international filing date</p> <p>"L" document which may throw doubts on priority claim(s) or which is cited to establish the publication date of another citation or other special reason (as specified)</p> <p>"O" document referring to an oral disclosure, use, exhibition or other means</p> <p>"P" document published prior to the international filing date but later than the priority date claimed</p> <p>"T" later document published after the international filing date or priority date and not in conflict with the application but cited to understand the principle or theory underlying the invention</p> <p>"X" document of particular relevance; the claimed invention cannot be considered novel or cannot be considered to involve an inventive step when the document is taken alone</p> <p>"Y" document of particular relevance; the claimed invention cannot be considered to involve an inventive step when the document is combined with one or more other such documents, such combination being obvious to a person skilled in the art</p> <p>"&" document member of the same patent family</p>		
Date of the actual completion of the international search 06 May 2009 (06.05.2009)		Date of mailing of the international search report 20 July 2009 (20.07.2009)
Name and mailing address of the ISA/ AT Austrian Patent Office Dresdner Straße 87, A-1200 Vienna Facsimile No. +43 / 1 / 534 24 / 535		Authorized officer SZILVITZKY Gyöngyi Telephone No. +36 /1/ 474-5882

INTERNATIONAL SEARCH REPORT
Information on patent family members

International application No.
PCT/KR2007/006853

Patent document cited in search report	Publication date	Patent family member(s)	Publication date
JP A 2006284044		JP A 2006284044	2006-10-19