



US00D866166S

(12) **United States Design Patent**
Ho et al.

(10) **Patent No.:** **US D866,166 S**
(45) **Date of Patent:** **** Nov. 12, 2019**

(54) **BACKPACK HAVING INTEGRATED SOLAR PANELS**

(71) Applicants: **Dennis Ho**, Daly City, CA (US);
Norman Ho, Daly City, CA (US)

(72) Inventors: **Dennis Ho**, Daly City, CA (US);
Norman Ho, Daly City, CA (US)

(**) Term: **15 Years**

(21) Appl. No.: **29/633,153**

(22) Filed: **Jan. 12, 2018**

(51) **LOC (12) Cl.** **03-01**

(52) **U.S. Cl.**
USPC **D3/217**

(58) **Field of Classification Search**
USPC D3/215-217, 273, 289, 290, 318, 321,
D3/322, 323
CPC .. A45F 3/04; A45F 3/042; A45F 3/047; A45F
3/08; A45F 3/10; A45F 3/14; A45F 4/02;
A45F 4/08; A45F 2200/05; A45F
2200/0525; A45C 13/08; A45C 13/083
See application file for complete search history.

(56) **References Cited**

U.S. PATENT DOCUMENTS

D603,157 S *	11/2009	Hutchinson	D3/217
D638,623 S *	5/2011	Chen	D3/204
D698,542 S *	2/2014	January	D3/216
D699,941 S *	2/2014	Robert	D3/216
D772,562 S *	11/2016	Petre	D3/216
D796,188 S *	9/2017	Ho	D3/217
D809,799 S *	2/2018	Pietruszewski	D3/318

D816,990 S *	5/2018	Naito	D3/267
D818,701 S *	5/2018	Wright	D3/217
D827,563 S *	9/2018	Burks	D13/102
D828,016 S *	9/2018	Gillespie	D3/217
2008/0210728 A1*	9/2008	Bihn	A45F 3/04 224/576
2014/0151424 A1*	6/2014	Hexels	A45F 3/06 224/637
2018/0057385 A1*	3/2018	Bray, III	C02F 1/14
2018/0303213 A1*	10/2018	Pusey	A45C 13/02

* cited by examiner

Primary Examiner — Barbara Fox
Assistant Examiner — Mary Shannon Malley
(74) *Attorney, Agent, or Firm* — Mitchell Law PLLC;
Matthew W. Mitchell

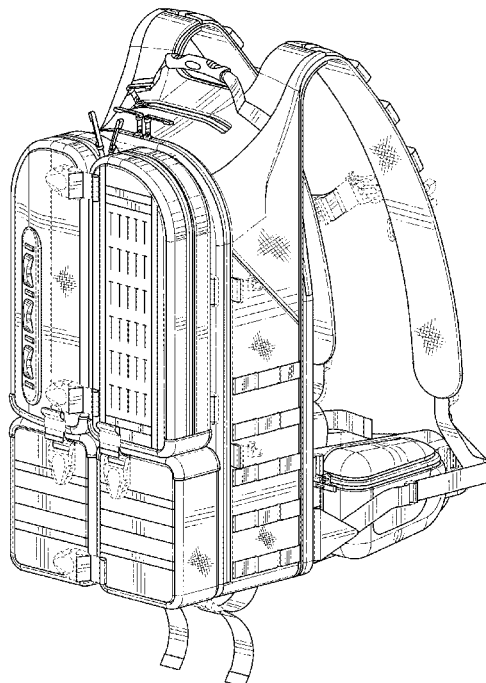
(57) **CLAIM**

The ornamental design for a backpack having integrated solar panels, as shown and described.

DESCRIPTION

FIG. 1 is a front perspective view showing my new design; FIG. 2 is a back perspective view of the invention; FIG. 3 is a front view of the invention; FIG. 4 is a back view of the invention; FIG. 5 is a side view of the invention, as seen from the right side of FIG. 3; FIG. 6 is a side view of the invention, as seen from the left side of FIG. 3; FIG. 7 is a bottom plan view of the invention; and, FIG. 8 is a top plan view of the invention.

1 Claim, 8 Drawing Sheets



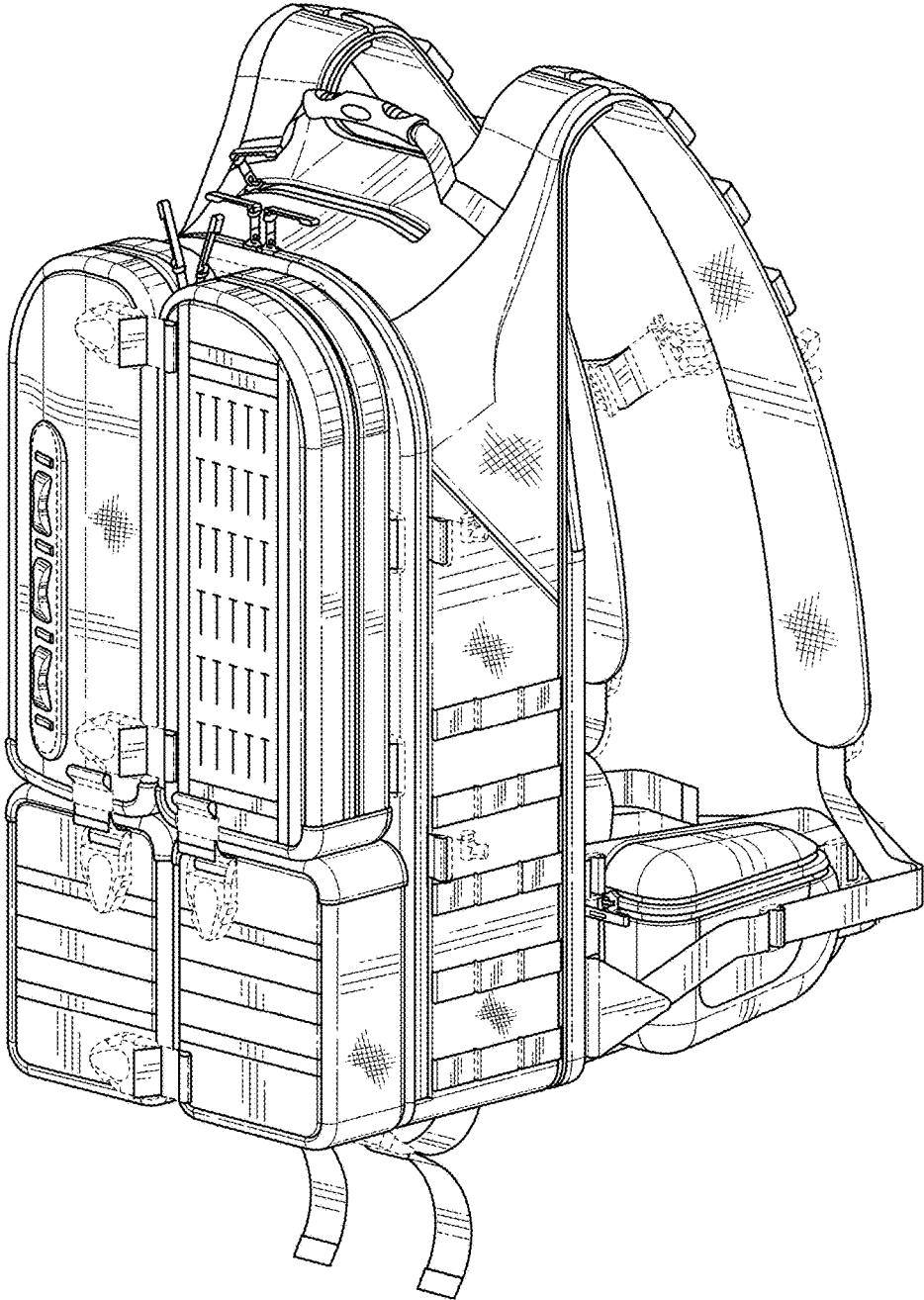


FIG. 1

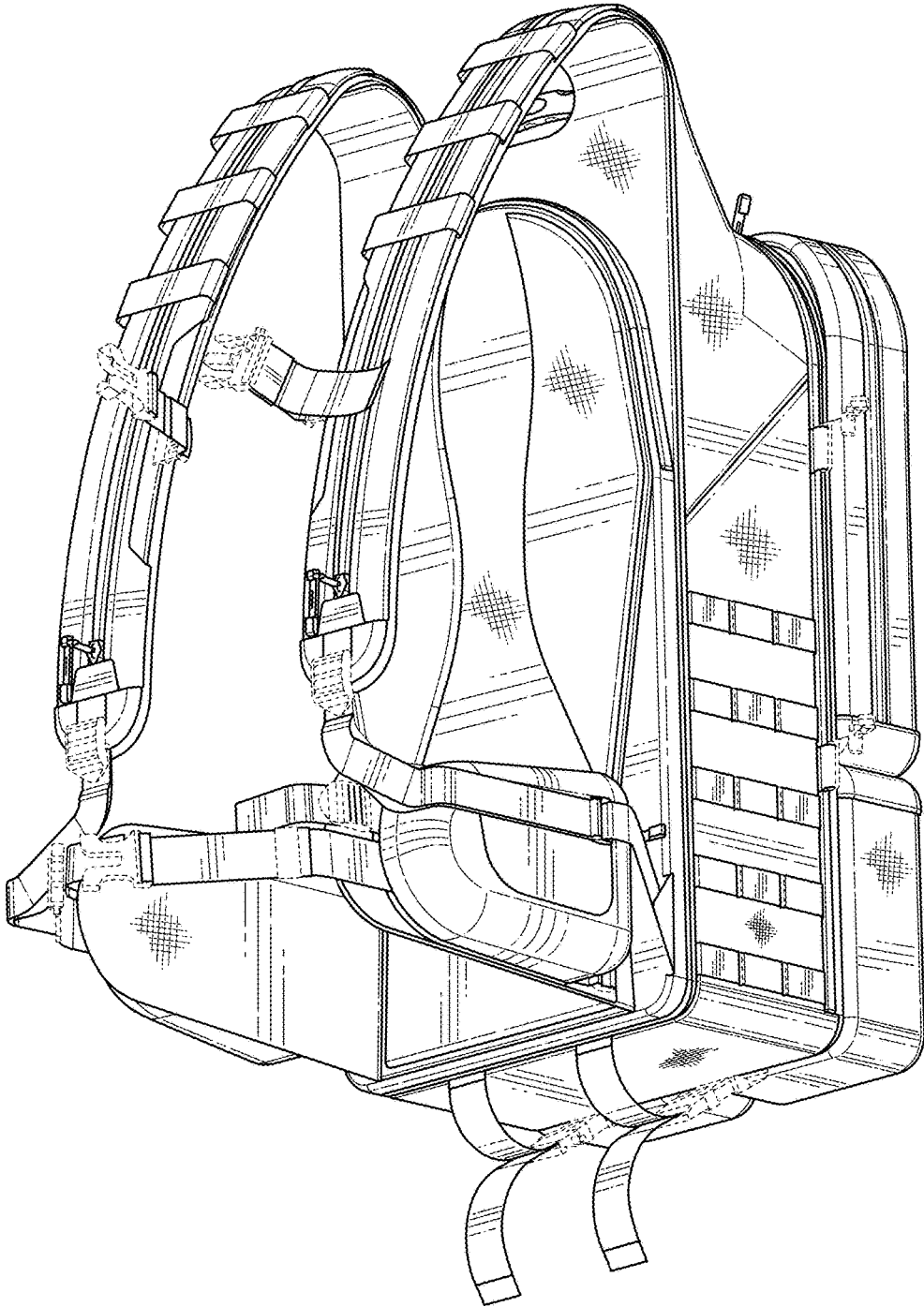


FIG. 2

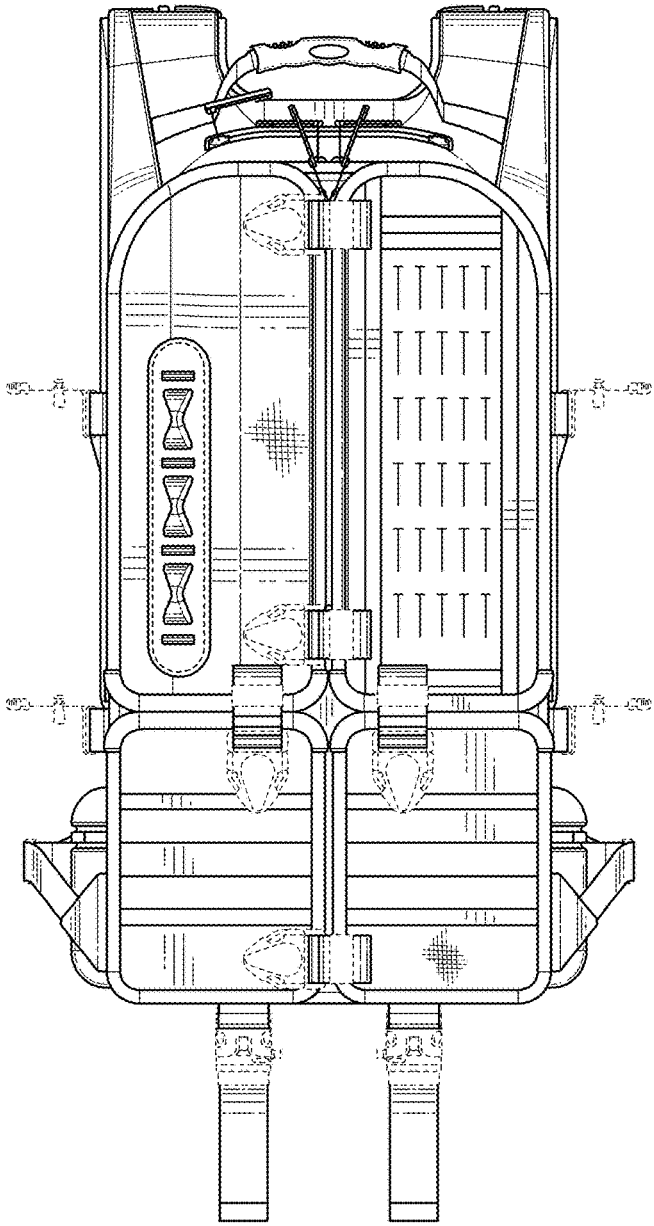


FIG. 3

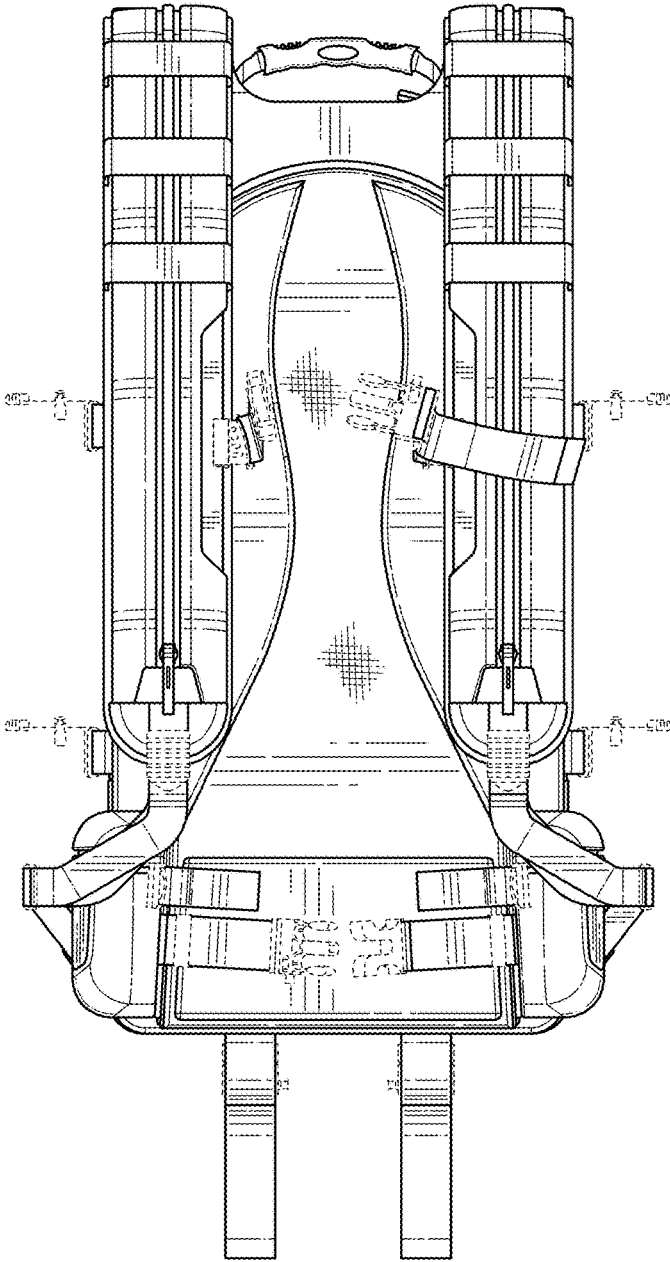


FIG. 4

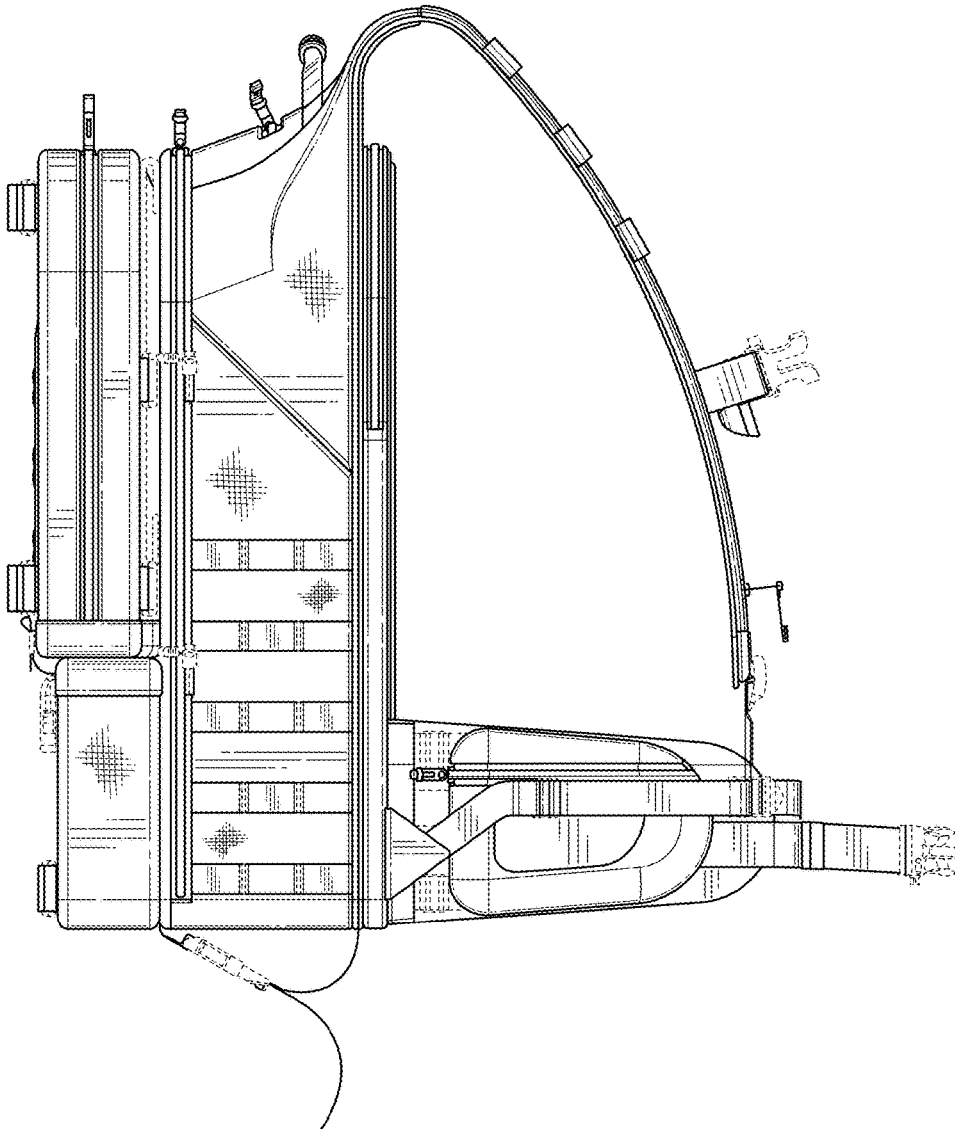


FIG. 5

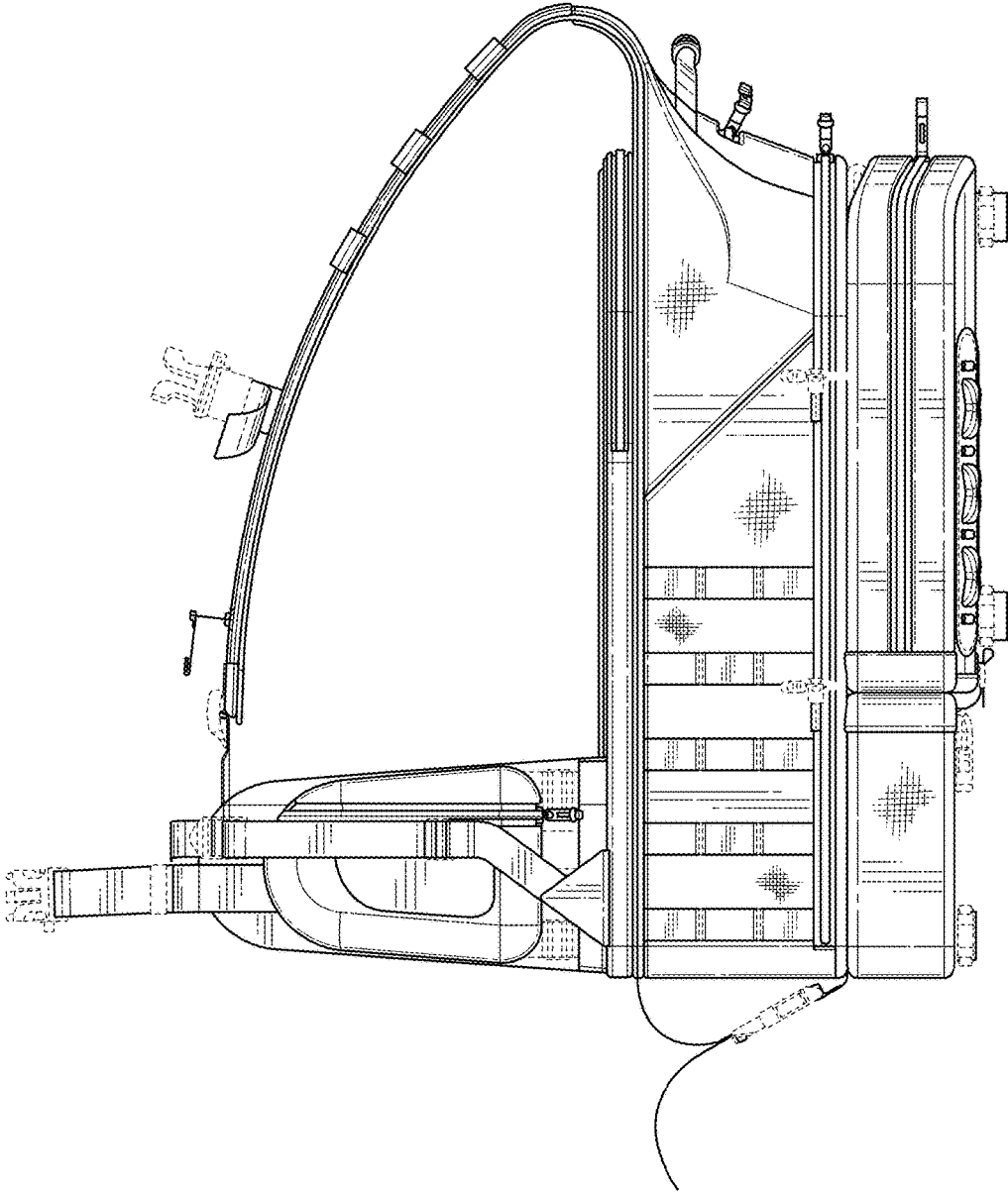


FIG. 6

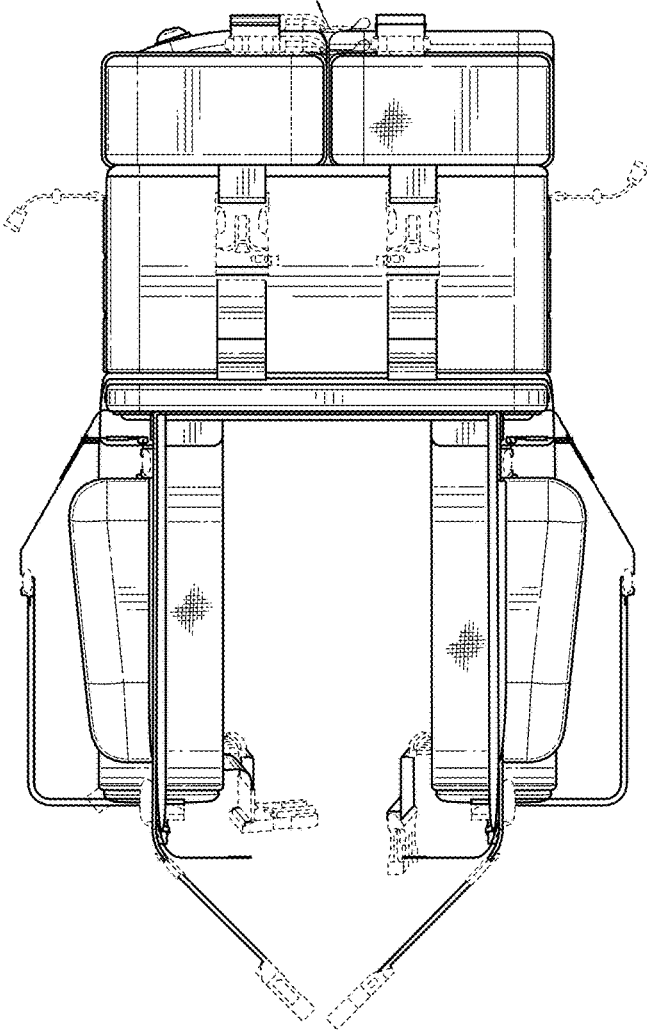


FIG. 7

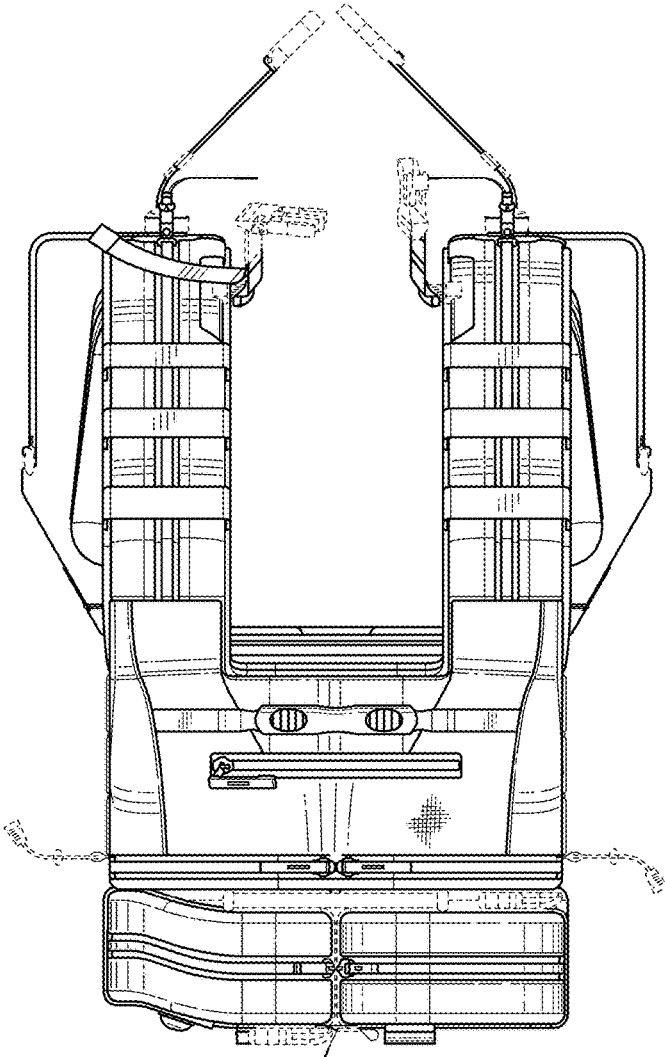


FIG. 8