



US00D341121S

United States Patent [19]

[11] Patent Number: **Des. 341,121**

Trahan, Sr.

[45] Date of Patent: **** Nov. 9, 1993**

- [54] **RACK FOR PERSONAL WATER VEHICLE**
- [76] Inventor: **Karl W. Trahan, Sr., Rt. 2 Box 426-C, Maurice, La. 70555**
- [**] Term: **14 Years**
- [21] Appl. No.: **774,293**
- [22] Filed: **Oct. 10, 1991**
- [52] U.S. Cl. **D12/318**
- [58] Field of Search **D12/317, 318; 114/343, 114/364; 248/640, 641, 642, 643; D8/380**

Primary Examiner—Kay H. Chin
Attorney, Agent, or Firm—Matthews and Associates

[57] **CLAIM**

The ornamental design for a rack for personal water vehicle, as shown and described.

DESCRIPTION

- FIG. 1 is a perspective view of the rack;
- FIG. 2 is a perspective view of the rack attached to a carrier. The broken line showing of the carrier is for illustrative purposes only and forms no part of the claimed design;
- FIG. 3 is a plan view from the top of the rack;
- FIG. 4 is a front view;
- FIG. 5 is a rear view;
- FIG. 6 is a plan view from the bottom;
- FIG. 7 is a right side view; and,
- FIG. 8 is a left side view.

[56] **References Cited**

U.S. PATENT DOCUMENTS

D. 329,838	9/1992	Dean	D12/318
3,075,490	1/1963	Lang	248/642
3,805,722	4/1974	Melchert, Jr. et al.	114/343
4,545,559	10/1985	Gilbreath	248/642
4,712,503	12/1987	Ritten	114/343

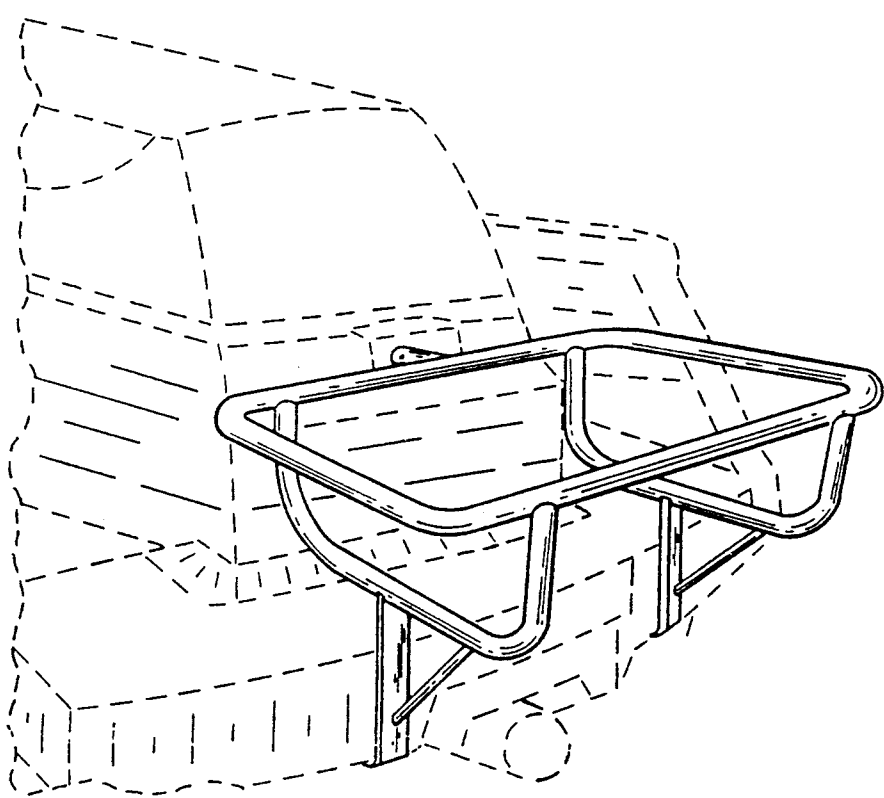


FIG. 1

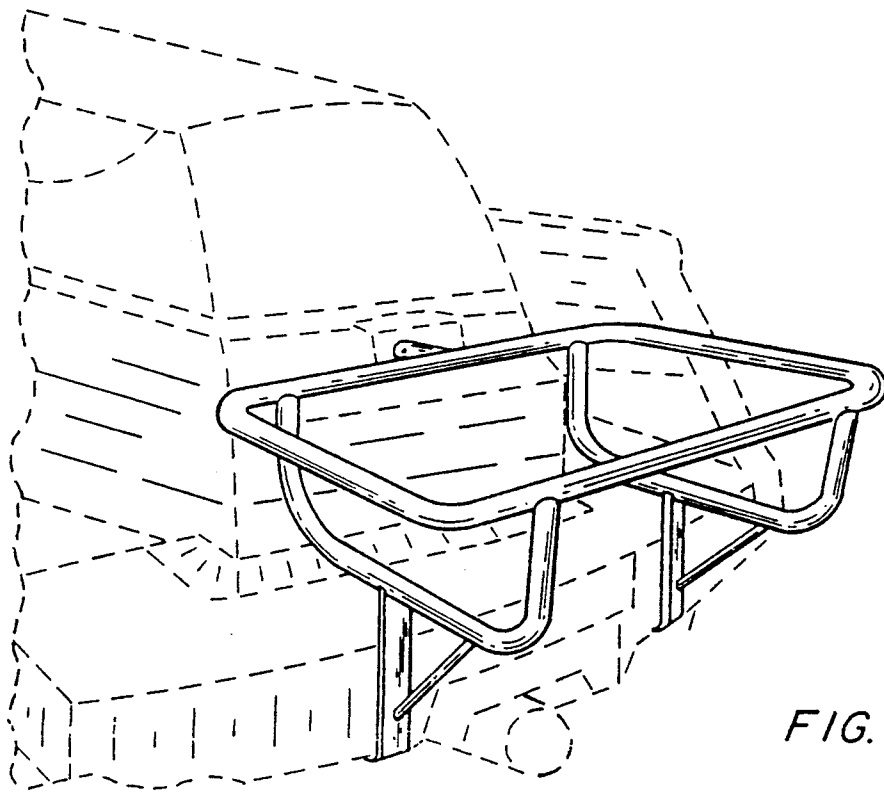
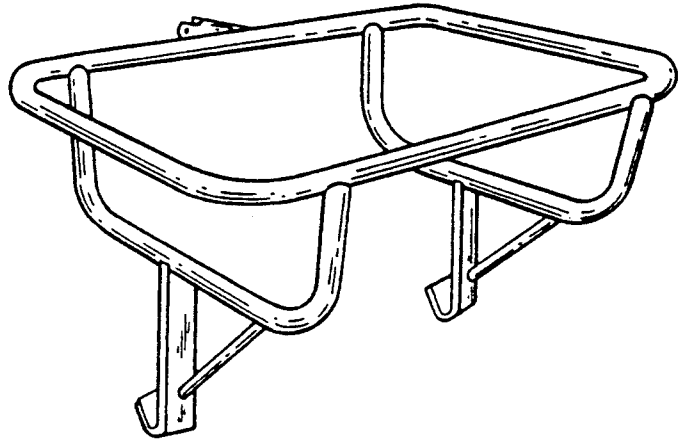


FIG. 2

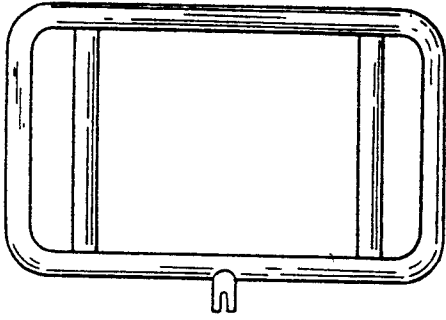


FIG. 3

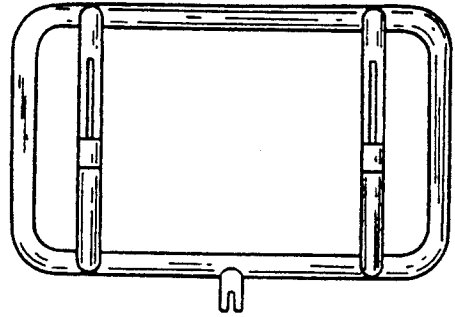


FIG. 6

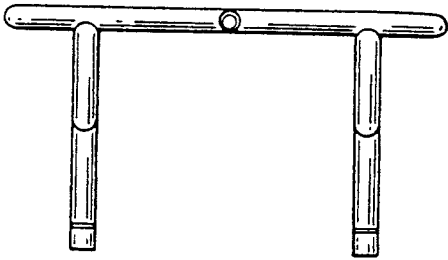


FIG. 4

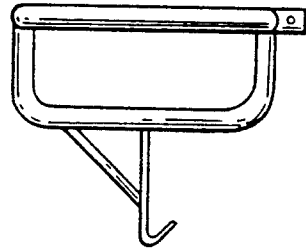


FIG. 7

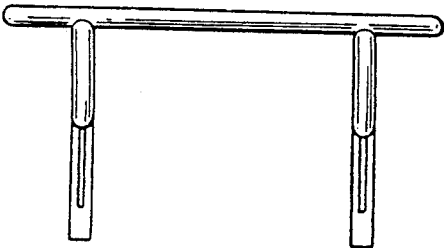


FIG. 5

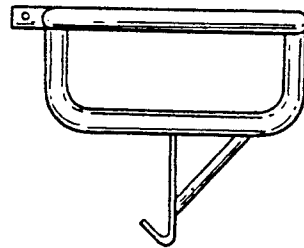


FIG. 8